

## TECHNICAL SPECIFICATIONS

**L3JB3**

### SUPPORTED MODELS:

L3IP4TS, L3IP4TS4, L3IP4TFCS, L3IP8TS, L3IP8TS4, LA5TIR80, LA5TIR100, LA5TFC100

### FEATURES:

- Manages & Protects Cables
- 3/4" Conduit Access
- For Indoor & Outdoor Use

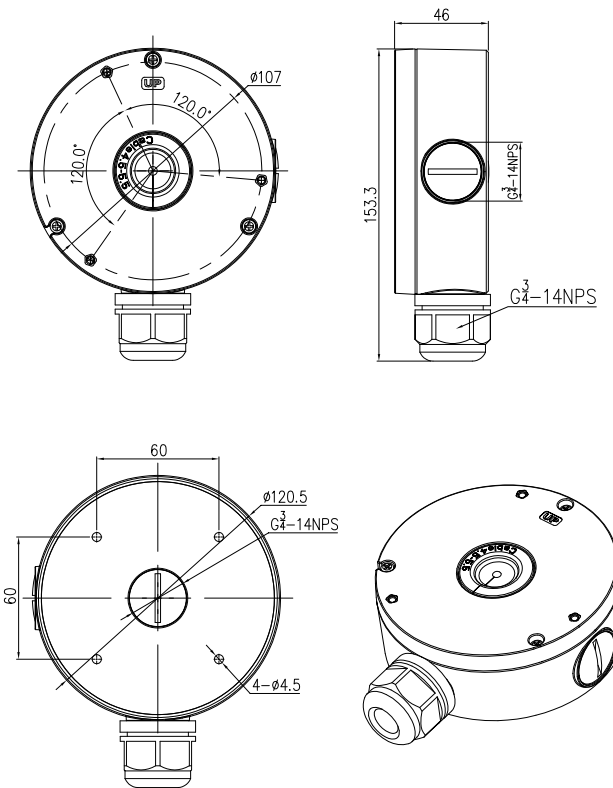
### SPECIFICATIONS:

	L3JB3
Material	Aluminum Alloy
Color	White
Product Dimensions	Ø117 x 46mm / Ø4.21 x 1.81"
Product Weight	0.34kg / 0.75 Lb.
Max Bearing Weight	3 kg / 6.61 Lb.

L3JB3



### DIMENSIONS:



### INCLUDED ACCESSORIES:

Item	Qty
Junction box	1
3/4" Conduit Caps	2
Plastic Conduit Cable Connector	1
Rubber Grommet (for cable Ø4.5-5.5mm)	1
Rubber Grommet (for cable Ø6-8mm)	1
Black Rubber Plug	1
Mounting Template	1
Torx Screws M4x18mm	3
Torx Wrench	1
Mounting Hardware Packet	1

### ABOUT THIS BRACKET – Read Before Use

1. Before installation, please check the bracket packing and accessories are intact. If the bracket is damaged or missing accessories please contact us at 855-388-7422.
2. Do not exceed the MAX load listed on the bracket label.
3. Check the installation area and make sure it will support the total weight of the installed product and bracket.
4. Bracket ships with installation screws, check the material the bracket will be installed onto and use appropriate screws based on the material (may not be supplied with bracket).
5. If the bracket is installed near the ocean or areas exposed to heavy chemicals corrosion may occur which can affect the strength of the bracket. Check the bracket regularly for corrosion.