

4

3

2

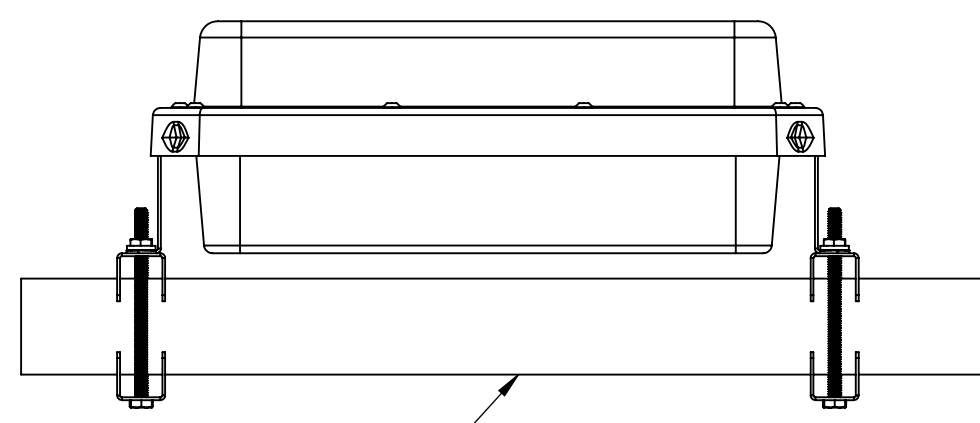
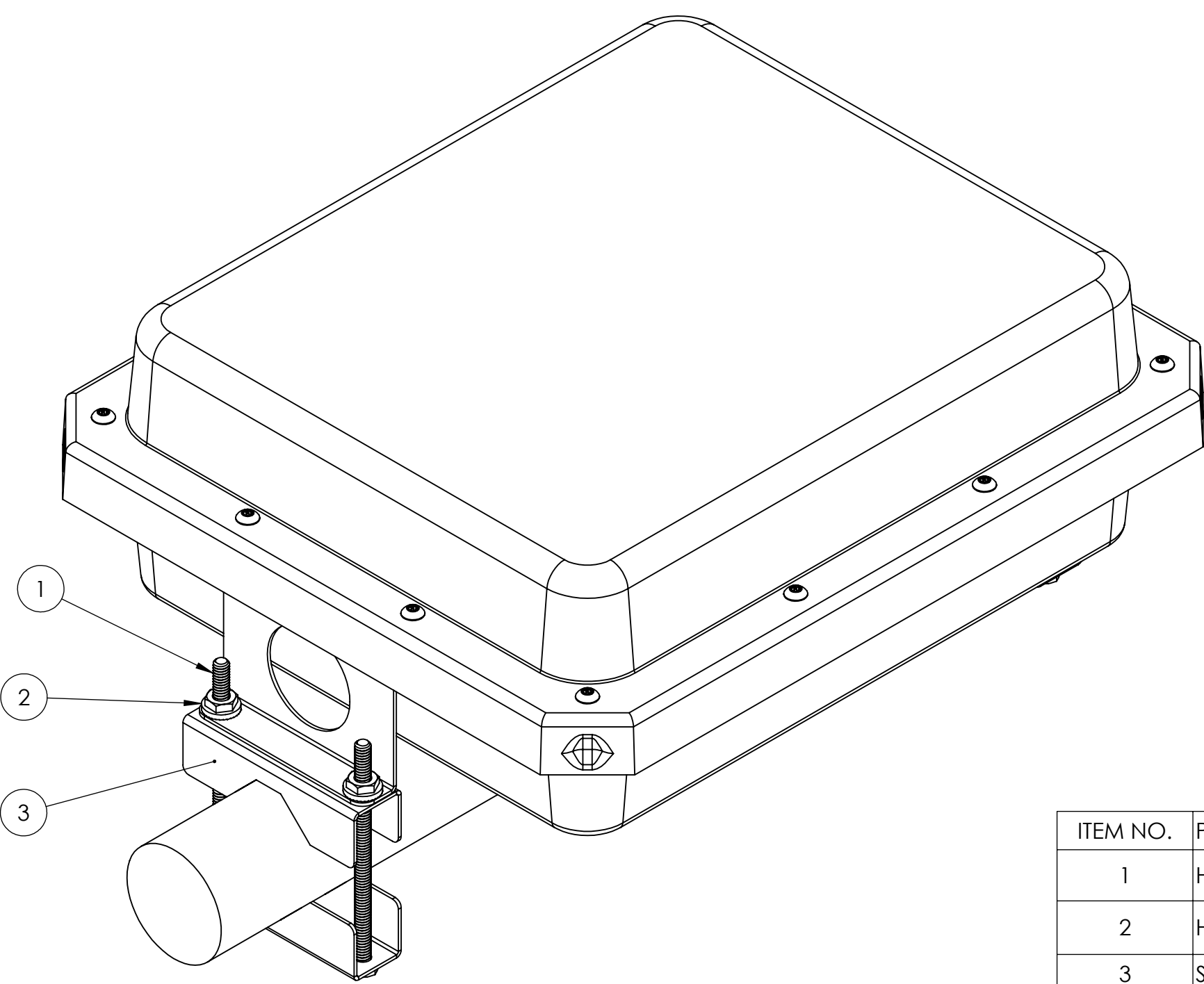
1

B

B

A

A



1.25 < DIA PIPE < 2.375

ITEM NO.	PART NUMBER	DESCRIPTION	QTY
1	HW000270	SCREW, HXHD, 1/4-20 X 4, FULL THREAD, 18-8 STAINLESS	4
2	HW000271	NUT, LOCK, .25-20, SERRATED FLANGE, 18-8 STAINLESS	4
3	SM000330	POLE CLAMP	4

UNLESS OTHERWISE SPECIFIED:		NAME	DATE
DIMENSIONS ARE IN INCHES		DRAWN	WD 5/25/2023
TOLERANCES:		CHECKED	DJC 5/25/2023
FRACTIONAL ±.02		ENG APPR.	
ANGULAR: MACH ±1*		MFG APPR.	MDM 5/26/2023
BEND ±.010		Q.A.	
TWO PLACE DECIMAL ±.02		COMMENTS:	
THREE PLACE DECIMAL ±.010			
INTERPRET GEOMETRIC TOLERANCING PER: ASME Y14.1			
THIRD ANGLE PROJECTION			
DO NOT SCALE DRAWING			

		LEAP1001	
		TITLE: 2 INCH POLE CLAMP ACCESSORY CUT SHEET	
SIZE	CAGE CODE	DWG. NO.	REV
B	7MTL4	AC002CS	-
SCALE: 1:2		Weight:	SHEET 1 OF 1

PROPRIETARY AND CONFIDENTIAL
 THE INFORMATION CONTAINED IN THIS DRAWING IS THE SOLE PROPERTY OF WESCO. ANY REPRODUCTION IN PART OR AS A WHOLE WITHOUT THE WRITTEN PERMISSION OF WESCO IS PROHIBITED.

X:\MANUFACTURING\04 ENGINEERING\ENCLOSURES\GEN CONST\AC002\

4

3

2

1