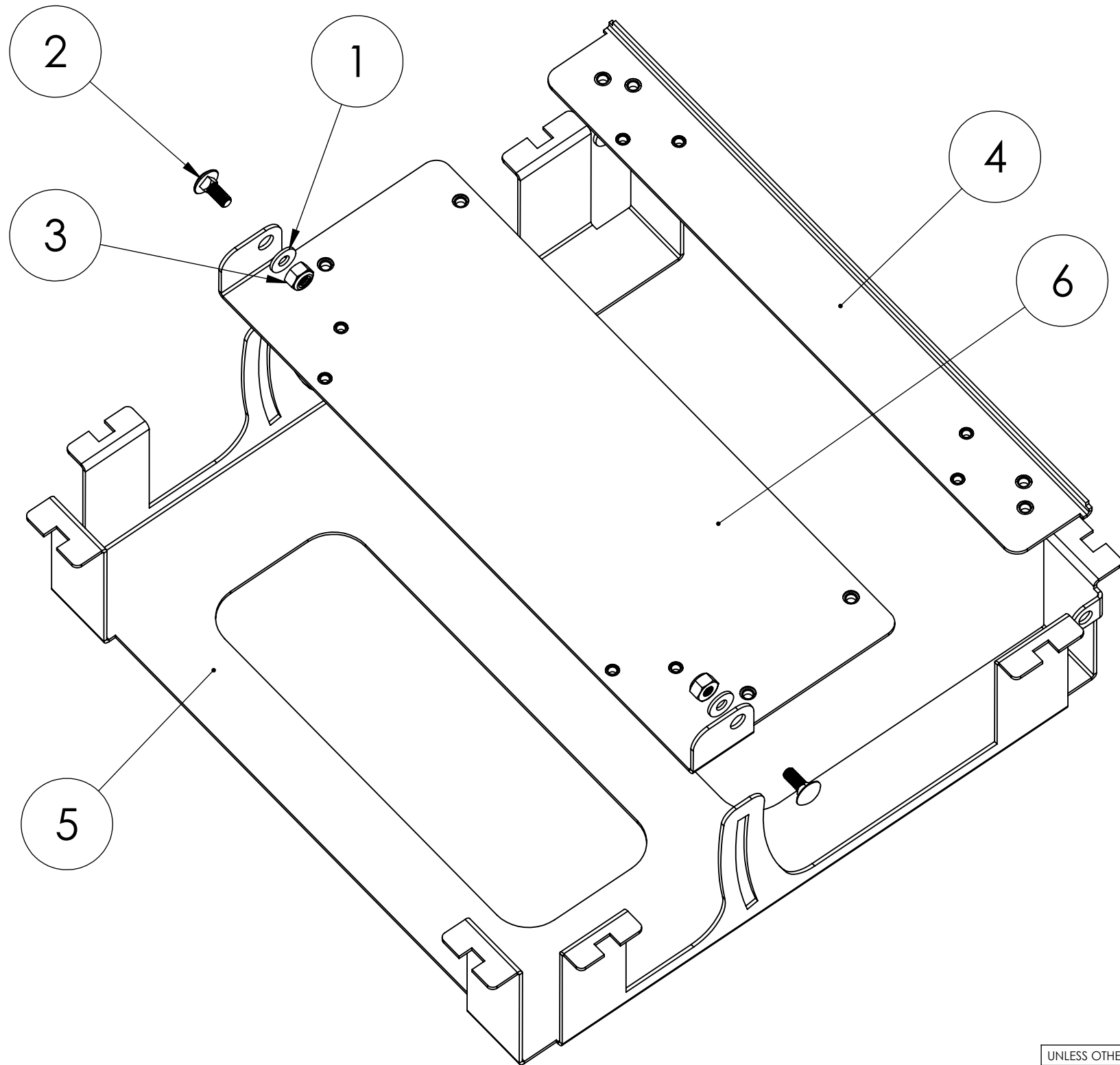


4

3

2

1



REVISIONS				
ZONE	REV.	DESCRIPTION	DATE	APPROVED
	A	Revised to fit new enclosure.	12/13/2022	DJC

PLEASE CONTACT THE FACTORY TO ENSURE THE LATEST DESIGN REVISION.

ITEM NO.	PART NUMBER	DESCRIPTION	
1	HW000004	WASHER FLAT, #10	2
2	HW000022	SQR.NECK, CRG-BOLT, 10-32X0.5	2
3	HW000082	NUT, LOCK, 10-32, NYLON INSERT, 18-8 STAINLESS	2
4	SM000017-1	TILT ANTENNA BRACKET	1
5	SM000017-2	TILT ANTENNA BASE	1
6	SM000017-3	ANTENNA LOCK PLATE	1

UNLESS OTHERWISE SPECIFIED: DIMENSIONS ARE IN INCHES TOLERANCES: FRACTIONAL ±.02 ANGULAR: MACH ±1° BEND ±.010 TWO PLACE DECIMAL ±.02 THREE PLACE DECIMAL ±.010 INTERPRET GEOMETRIC TOLERANCING PER: ASME Y14.1	NAME	DATE
	DRAWN	DJC 05/04/21
	CHECKED	DJC 05/04/21
	ENG APPR.	WD 12/21/2021
	MFG APPR.	MDM 12/21/2021
	Q.A.	
COMMENTS:		

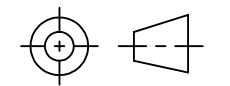
Liberty

LEAB1001

TITLE:
Tilt Antenna Brkt Assy

PROPRIETARY AND CONFIDENTIAL
 THE INFORMATION CONTAINED IN THIS DRAWING IS THE SOLE PROPERTY OF WESCO. ANY REPRODUCTION IN PART OR AS A WHOLE WITHOUT THE WRITTEN PERMISSION OF WESCO IS PROHIBITED.

THIRD ANGLE PROJECTION



DO NOT SCALE DRAWING

SIZE	CAGE CODE	DWG. NO.	REV
B	7MTL4	SM000017	A
SCALE: 1:2		Weight:	SHEET 1 OF 1

4

3

2

1

B

B

A

A