

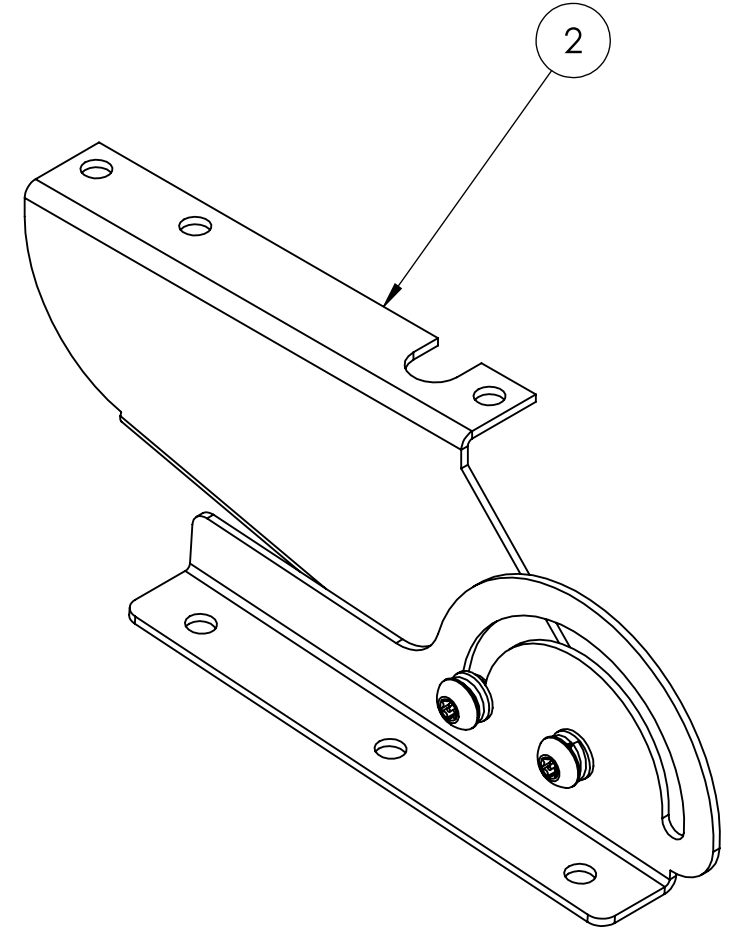
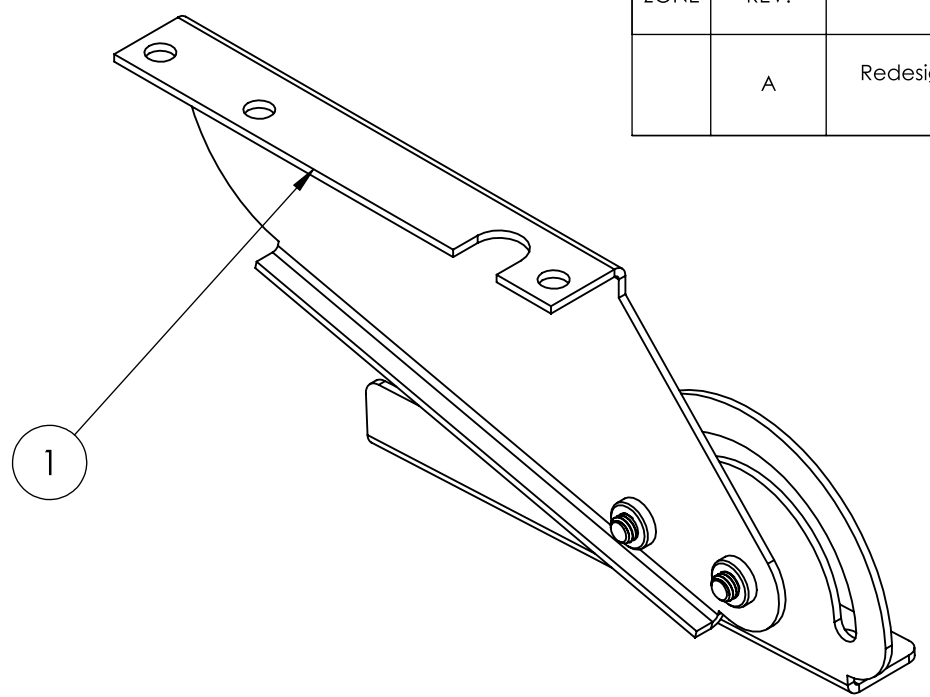
4

3

2

1

REVISIONS				
ZONE	REV.	DESCRIPTION	DATE	APPROVED
	A	Redesigned for 180Deg rotation and multiple box compatibility	12/13/2022	DJC



PLEASE CONTACT THE FACTORY TO ENSURE THE LATEST DESIGN REVISION.

ITEM NO.	PART NUMBER	DESCRIPTION	QTY.
1	SM000060R	PIVOT MOUNT, RIGHT	1
2	SM000060L	PIVOT MOUNT LEFT	1

UNLESS OTHERWISE SPECIFIED:	NAME	DATE
DIMENSIONS ARE IN INCHES	DRAWN DJC	12/12/2022
TOLERANCES:	CHECKED WD	12/19/2022
FRACTIONAL ±.02	ENG APPR.	
ANGULAR: MACH ±1°	MFG APPR. MDM	12/19/2022
BEND ±.010	Q.A.	
TWO PLACE DECIMAL ±.02	COMMENTS:	
THREE PLACE DECIMAL ±.010		
INTERPRET GEOMETRIC TOLERANCING PER: ASME Y14.1		
THIRD ANGLE PROJECTION		
DO NOT SCALE DRAWING		

PROPRIETARY AND CONFIDENTIAL
 THE INFORMATION CONTAINED IN THIS DRAWING IS THE SOLE PROPERTY OF WESCO. ANY REPRODUCTION IN PART OR AS A WHOLE WITHOUT THE WRITTEN PERMISSION OF WESCO IS PROHIBITED.

		LEAF1002	
TITLE: Pivot Feet			
SIZE B	CAGE CODE 7MTL4	DWG. NO. SM000060	REV A
SCALE: 4:5		Weight:	SHEET 1 OF 1

4

3

2

1

B

B

A

A