

4

3

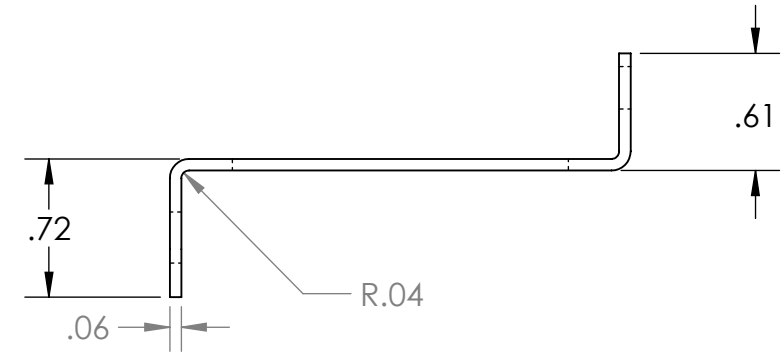
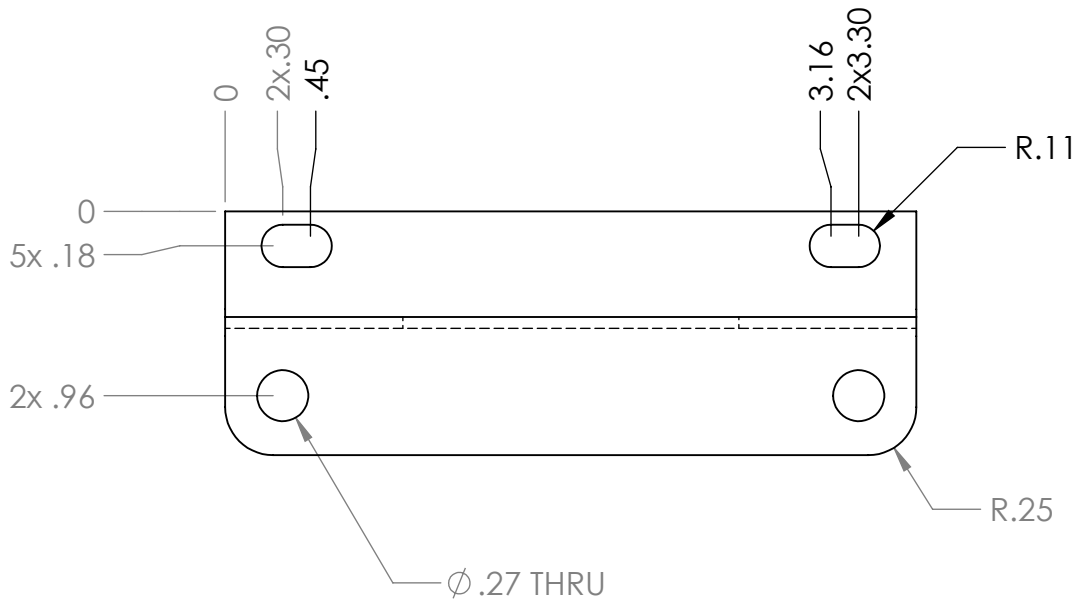
2

1

REVISIONS				
ZONE	REV.	DESCRIPTION	DATE	APPROVED
	A	Updated for multi box fit	12/13/2022	DJC

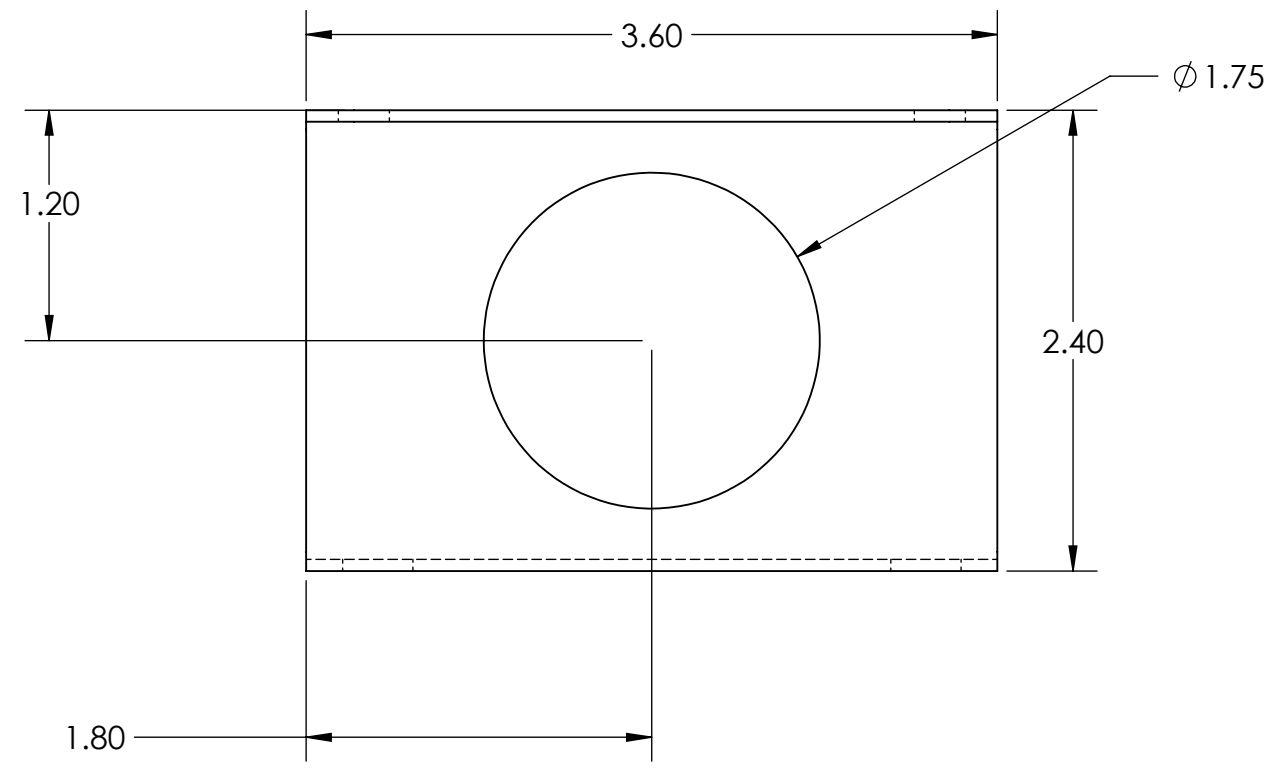
B

B



A

A



PLEASE CONTACT THE FACTORY TO ENSURE THE LATEST DESIGN REVISION.

MATERIAL 304 SS	UNLESS OTHERWISE SPECIFIED: DIMENSIONS ARE IN INCHES TOLERANCES: FRACTIONAL ± .02 ANGULAR: MACH ± 1 BEND ± .010 TWO PLACE DECIMAL ± .02 THREE PLACE DECIMAL ± .010	NAME	DATE	Liberty	LEAF1001	
		DRAWN	DJC			5/4/2021
FINISH None	INTERPRET GEOMETRIC TOLERANCING PER: ASME Y14.1	CHECKED	DJC	TITLE: Static Feet		
PROPRIETARY AND CONFIDENTIAL THE INFORMATION CONTAINED IN THIS DRAWING IS THE SOLE PROPERTY OF WESCO ANY REPRODUCTION IN PART OR AS A WHOLE WITHOUT THE WRITTEN PERMISSION OF WESCO IS PROHIBITED.	THIRD ANGLE PROJECTION DO NOT SCALE DRAWING	ENG APPR.	WD	12/21/2021	SIZE B	
		MFG APPR.	MDM	12/21/2021		CAGE CODE 7MTL4
		COMMENTS:			Q.A.	DWG. NO. SM000018
				SCALE: 1:1	Weight:	SHEET 1 OF 1

4

3

2

1