

Biometric & Keypad Covers



STI-6514-S



BIO-7504 & BIO-7505



STI-6521-C

KEY FEATURES

General Information

- Protect fingerprint readers, keypads and similar devices from damage and the elements.
- Three year guarantee against breakage of polycarbonate in normal use.

Design

- Protects keypads, electrical outlets, push buttons and volume and lighting controls from misuse, but allow the devices to remain accessible.

Construction

- Moulded from tough, clear UV-stabilised polycarbonate material.
- Stainless steel torsion spring (with certain models) maintain cover in a closed position.
- Typical working properties of polycarbonate are -40°C to 121°C (-40° to 250°F)

Installation

- Retrofittable design for a quick and easy installation.
- Comes complete with mounting hardware and gasket.

Options

- Certain models are available in a smoke finish polycarbonate for privacy.
- Gasket replacement is recommended at least every five years.

PRODUCT OVERVIEW

These tough UV-stabilised polycarbonate covers have been designed to protect card readers, access control keypads and similar devices from abuse and accidental damage as well as from the external elements.

HOW IT WORKS

The Biometric and Keypad Covers are easy to install and are shipped complete with rawl plugs, screws and gasket. Most models retrofit over existing devices and are ideal for applications which require privacy. Simply lift the cover to gain access to the existing device.

Biometric & Keypad Covers

Dimensions and Technical Information

MODELS AVAILABLE

STI-6514	Bio Protector - Identification Reader Cover - Clear
STI-6514-S	Bio Protector - Identification Reader Cover - Smoke Finish
STI-6516	Mini Bopper Stopper - Clear
STI-6518	Bopper Stopper -Spring Loaded Hinge - Clear
STI-6520-C	Bio Protector - Identification Reader Cover - Clear
STI-6520-S	Bio Protector - Identification Reader Cover - Smoke Finish
STI-6521-C	Bopper Stopper - for Keyless lock - Clear
STI-6521-S	Bopper Stopper - for Keyless lock - Smoke Finish
STI-6522-C	Bopper Stopper - Clear
STI-6522-S	Bopper Stopper - Smoke Finish
STI-7504	Snooper Stopper - Clear
STI-7505	Snooper Stopper - Smoke Finish
BIO-7504	Bio Protector - Identification Reader Cover - Clear
BIO-7505	Bio Protector - Identification Reader Cover - Smoke Finish
STI-7700	Polycarbonate Cover with Open Back Box
STI-7710	Polycarbonate Cover with Open Back Box and Lock
STI-7720	Polycarbonate Cover with Enclosed Back Box
STI-7730	Polycarbonate Cover with Enclosed Back Box, Gasket and Lock

MODEL	INTERNAL HEIGHT	INTERNAL WIDTH	INTERNAL DEPTH
STI-6514 (-S)	75mm	91mm	65mm
STI-6516	82mm	93mm	51mm
STI-6518	128mm	81mm	52mm
STI-6520 (-C & -S)	161mm	84mm	76mm
STI-6521 (-C & -S)	161mm	84mm	76mm
STI-6522 (-C & -S)	117mm	84mm	76mm
STI-7504/7505	171mm	222mm	101mm
BIO-7504/7505			127mm
STI-7700/7710	121mm	210mm	50mm
STI-7720/7730			

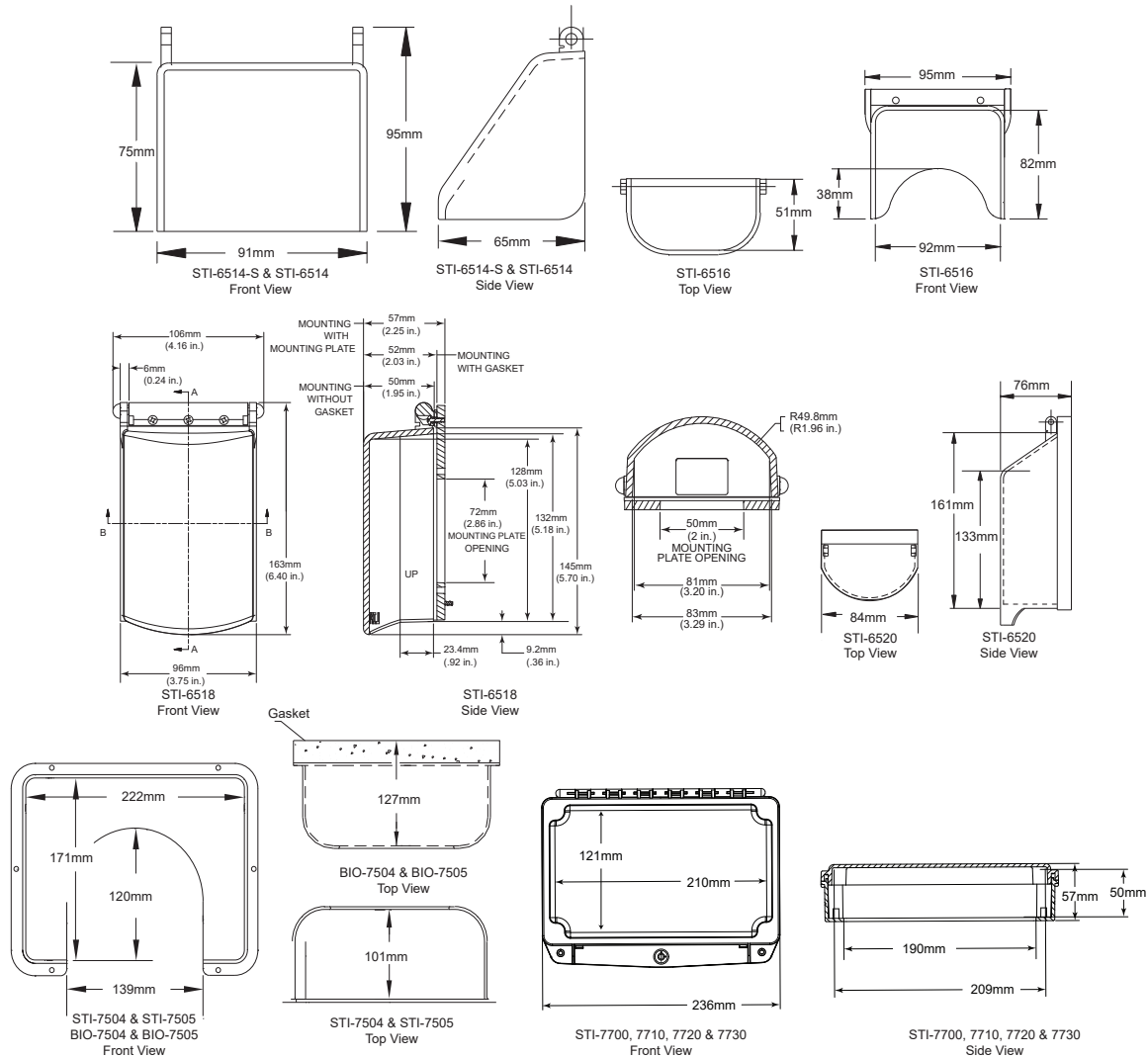
APPROVALS

Tested and approved or listed by:

- Underwriter Laboratories No. S7255 & No. S2466 (STI-6518)
- Canadian Underwriter Laboratories No. S7255 & No. S2466 (STI-6518)
- California State Fire Marshal approval not required
- ADA Compliant (STI-6516)

IMPORTANT NOTICE

STI recommends replacement of gasket at least every five years for outdoor applications.



Safety Technology International

Taylor House
34 Sherwood Road
Bromsgrove
Worcestershire
B60 3DR, England

Tel: +44 (0)1527 520 999
Fax: +44 (0)1527 501 999
info@sti-emea.com
www.sti-emea.com

2306 Airport Road
Waterford, Michigan
48327, USA

Tel: 248-673-9898
Fax: 248-673-1246
info@sti-usa.com
www.sti-usa.com