

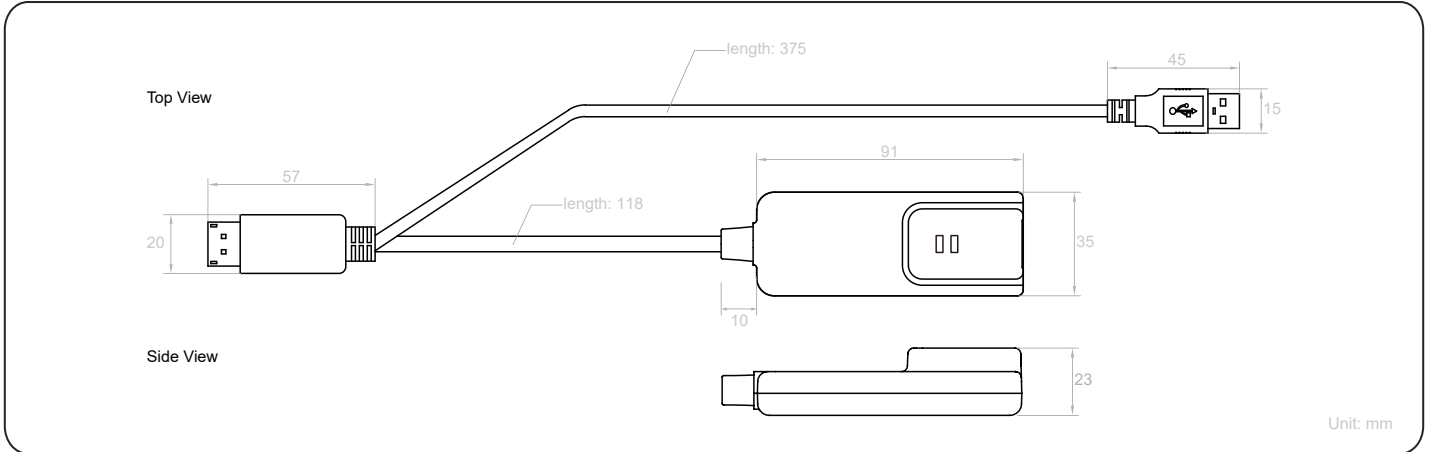


Benefits

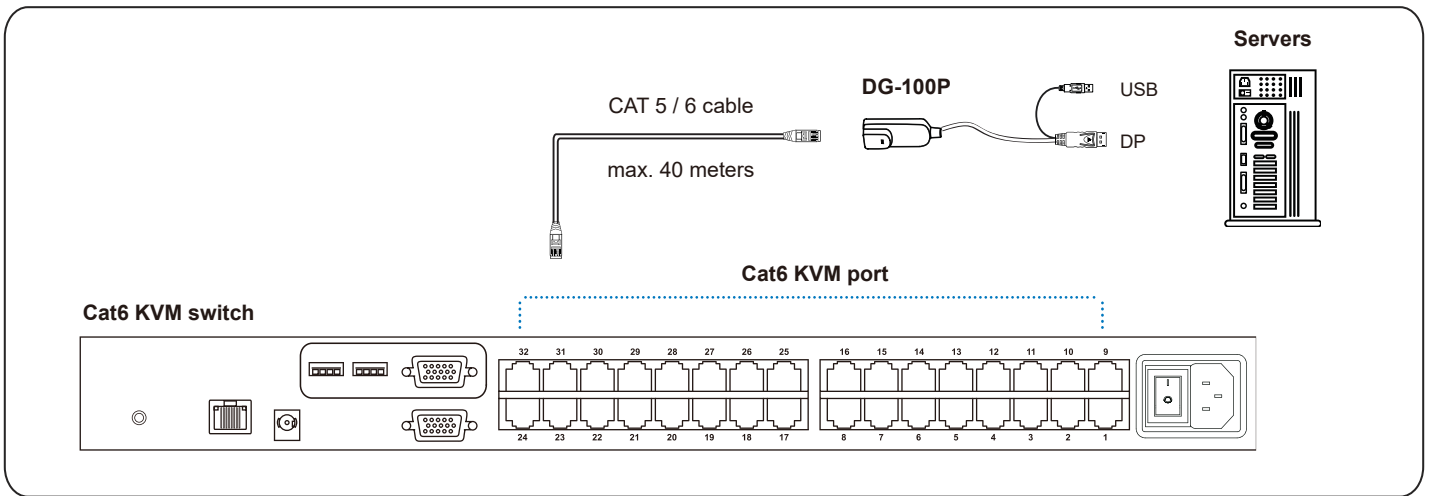
- Multi-platform for PC, server, blade server & MAC
- Hot pluggable, no software or drivers required



Dimension



Connection



Specification	
Number of ports	1
Video connection type	DP
Keyboard / mouse connection type	USB
Resolution support	16 : 10 - max. 1920 x 1200 16 : 9 - max. 1920 x 1080 4 : 3 - max. 1600 x 1200

Environment	
Operating temp.	0 to 55°C degree
Storage temp.	-20 to 60°C degree
Operating humidity	20~90%, non-condensing
Storage humidity	5 ~90%, non-condensing
Operating altitude	16,000 ft
Non-operating altitude	40,000 ft
Shock	10G acceleration (11ms duration)
Vibration	10~300Hz 0.5G RMS random vibration

Compatibility	
Hardware	HP / IBM / Dell PC, Server and Blade Server Mac
OS support	Windows / Linux / Unix / Mac OS

Compliance	
EMC	FCC & CE
Safety	CE / LVD
Environment	RoHS3 & REACH

Physical	
Weight	0.063 kg / 0.139 lb
Chassis color	Dark
Chassis materials	Plastic