

Type N F/M Bulkhead Coaxial RF Surge Protector, DC - 2.4GHz,
50W, IP67, 60 V Max., 3mJ, 18kA, Gas Discharge Tube



RGT-ME

Features

- Surge current of 18kA
- Max Power 50W(RMS)
- Frequency range from DC to 2.4GHz
- N-type female connector to N-type male connector
- Waterproof IP67 rated
- DC Pass
- VSWR <1.28:1
- CE & RoHS compliant
- Bi-Directional

Applications

- WiFi
- GPS
- Land mobile radio

Description

RF surge protector (also known as lightning arrester or surge arrester) RGT-ME from PolyPhaser, utilizing a gas tube (GT or GDT). This RF surge protector component is manufactured in a coaxial in-line design with wide operating frequency range. All PolyPhaser RF surge protector products are available in stock with same day shipping.

Electrical Specifications

Surge Protector Type
DC Handling

Gas Discharge Tube
DC Pass

Description	Minimum	Typical	Maximum	Units
Frequency Range	DC		2.4	GHz
Impedance		50		Ohms
VSWR			1.28:1	
Insertion Loss			0.25	dB
Operating Voltage (DC)			60	Volts
Input Power, CW			50	Watts
50W @ 10MHz				
10W @ 2GHz				
Surge Current			18	kA
IEC 61000-4-5, 8/20µS WAVEFORM				
Turn On Voltage		180 ±20%		Volts
Throughput Energy			3	mJ

Click the following link (or enter part number in "SEARCH" on website) to obtain additional part information including price, inventory and certifications:
[Type N F/M Bulkhead Coaxial RF Surge Protector, DC - 2.4GHz, 50W, IP67, 60 V Max., 3mJ, 18kA, Gas Discharge Tube RGT-ME](#)

Type N F/M Bulkhead Coaxial RF Surge Protector, DC - 2.4GHz,
50W, IP67, 60 V Max., 3mJ, 18kA, Gas Discharge Tube



RGT-ME

Mechanical Specifications

Size

Length	3.17 in [80.52 mm]
Width/Diameter	1.12 in [28.45 mm]
Height	1.33 in [33.78 mm]
Weight	0.35 lbs [158.76 g]

Configuration

Input Connector	N Female
Output Connector	N Male

Environmental Specifications

Temperature

Operating Range	-40 to +85 deg C
-----------------	------------------

Ingress Protection (IP) Rating

IP67

Humidity

90% @ 40°C

Vibration

1G @ 5Hz to 100Hz

Compliance Certifications

RoHS

CE

Plotted and Other Data

Notes:

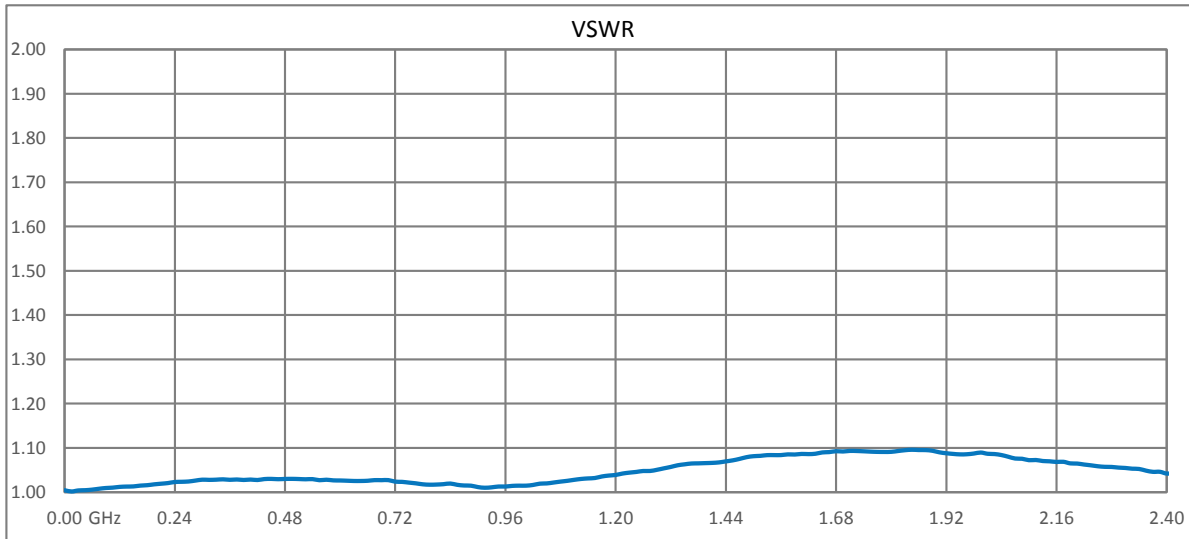
Click the following link (or enter part number in "SEARCH" on website) to obtain additional part information including price, inventory and certifications:
[Type N F/M Bulkhead Coaxial RF Surge Protector, DC - 2.4GHz, 50W, IP67, 60 V Max., 3mJ, 18kA, Gas Discharge Tube RGT-ME](#)

Type N F/M Bulkhead Coaxial RF Surge Protector, DC - 2.4GHz,
50W, IP67, 60 V Max., 3mJ, 18kA, Gas Discharge Tube



RGT-ME

Typical Performance Data

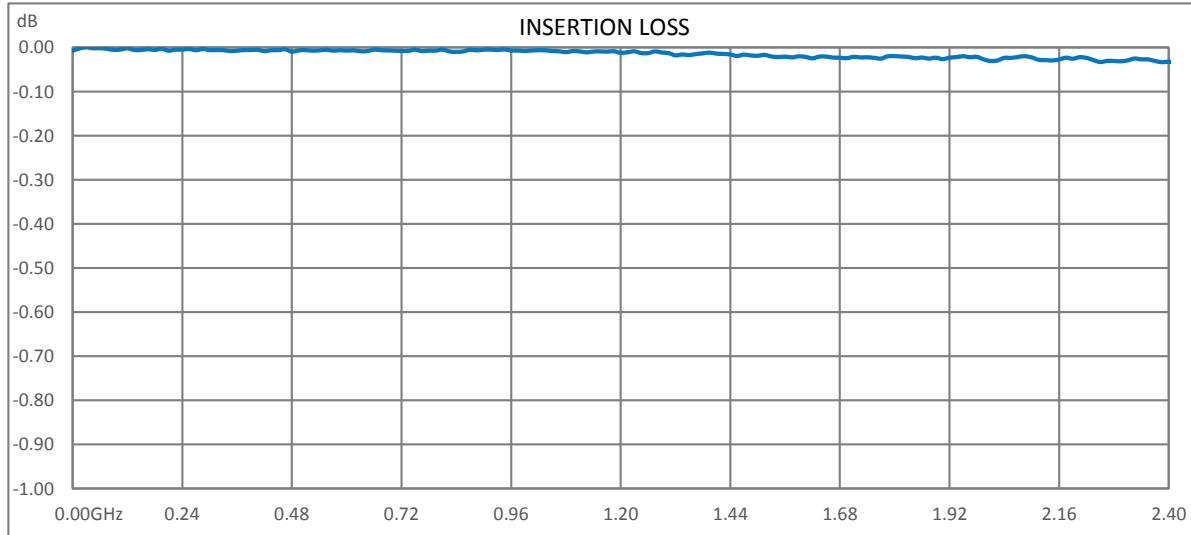


Click the following link (or enter part number in "SEARCH" on website) to obtain additional part information including price, inventory and certifications:
[Type N F/M Bulkhead Coaxial RF Surge Protector, DC - 2.4GHz, 50W, IP67, 60 V Max., 3mJ, 18kA, Gas Discharge Tube RGT-ME](#)

Type N F/M Bulkhead Coaxial RF Surge Protector, DC - 2.4GHz,
50W, IP67, 60 V Max., 3mJ, 18kA, Gas Discharge Tube



RGT-ME



PolyPhaser protects and increases the reliability of global RF communications networks, including transportation, telecommunications, defense, security and industrial applications, with superior RF surge protection technologies including DC Block, DC Pass and Ultra Low PIM. Backed by responsive service and expert technical support PolyPhaser continually expands its product offering and services to serve engineers' urgent needs for RF components in mission critical communication networks.

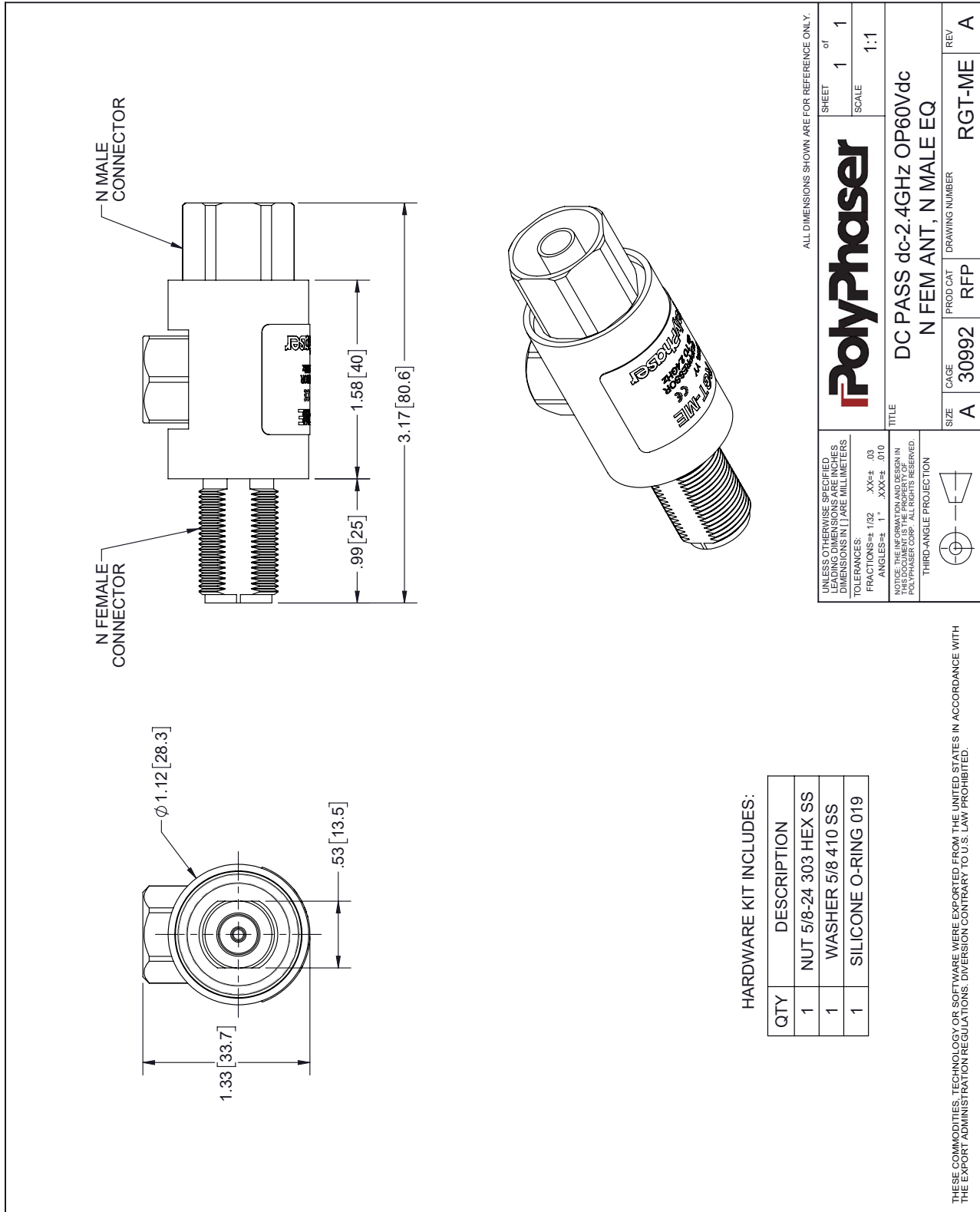
Click the following link (or enter part number in "SEARCH" on website) to obtain additional part information including price, inventory and certifications: [Type N F/M Bulkhead Coaxial RF Surge Protector, DC - 2.4GHz, 50W, IP67, 60 V Max., 3mJ, 18kA, Gas Discharge Tube RGT-ME](https://www.polyphaser.com/type-n-surge-protector-2.4ghz-gas-discharge-tube-rgt-me-p.aspx)

URL: <https://www.polyphaser.com/type-n-surge-protector-2.4ghz-gas-discharge-tube-rgt-me-p.aspx>

The information contained in this document is accurate to the best of our knowledge and representative of the part described herein. It may be necessary to make modifications to the part and/or the documentation of the part, in order to implement improvements. PolyPhaser reserves the right to make such changes as required. Unless otherwise stated, all specifications are nominal. PolyPhaser does not make any representation or warranty regarding the suitability of the part described herein for any particular purpose, and PolyPhaser does not assume any liability arising out of the use of any part or documentation.

Type N F/M Bulkhead Coaxial RF Surge Protector, DC - 2.4GHz, 50W,
IP67, 60 V Max., 3mJ, 18kA, Gas Discharge Tube

RGT-ME CAD Drawing



ALL DIMENSIONS SHOWN ARE FOR REFERENCE ONLY.

UNLESS OTHERWISE SPECIFIED LEADING DIMENSIONS ARE INCHES DIMENSIONS IN [] ARE MILLIMETERS	SHEET	1	of	1	
	TOLERANCES:	FRACTIONS: ± 1/32 .XX± .03			SCALE
	ANGLES: ± 1° .XXX± .010				
THIRD-ANGLE PROJECTION					
NOTICE: THE INFORMATION AND DESIGN IN THIS DRAWING IS THE PROPERTY OF POLYPHASER CORP. ALL RIGHTS RESERVED.					
TITLE		DC PASS dc-2.4GHZ OP60Vdc			
N FEM ANT, N MALE EQ					
SIZE	CAGE	PROD CAT	DRAWING NUMBER	REV	
A	30992	RFP	RGT-ME	A	

HARDWARE KIT INCLUDES:

QTY	DESCRIPTION
1	NUT 5/8-24 303 HEX SS
1	WASHER 5/8 410 SS
1	SILICONE O-RING 019

THESE COMMODITIES, TECHNOLOGY OR SOFTWARE WERE EXPORTED FROM THE UNITED STATES IN ACCORDANCE WITH THE EXPORT ADMINISTRATION REGULATIONS. DIVERSION CONTRARY TO U.S. LAW PROHIBITED.