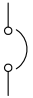
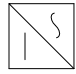
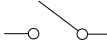
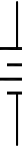
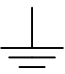


DRAWING GUIDE - Smart - UPS Li-Ion

Component /Detail	Description
Drawing Guide	APC Smart-UPS Li-Ion, Short Depth SCL500RM1UC 120V Drawing Guide
UPS Isometric View	APC Smart-UPS Li-Ion, Short Depth SCL500RM1UC 120V UPS Isometric View
UPS General Arrangement	APC Smart-UPS Li-Ion, Short Depth SCL500RM1UC 120V UPS General Arrangement
UPS Rear View	APC Smart-UPS Li-Ion, Short Depth SCL500RM1UC 120V UPS Rear View
System One Line Diagram	APC Smart-UPS Li-Ion, Short Depth SCL500RM1UC 120V System One Line Diagram

LEGEND			
SYMBOL	DESCRIPTION	SYMBOL	DESCRIPTION
	CIRCUIT BREAKER		DC-AC CONVERTER (INVERTER)
	RELAY		BATTERY
	GND		

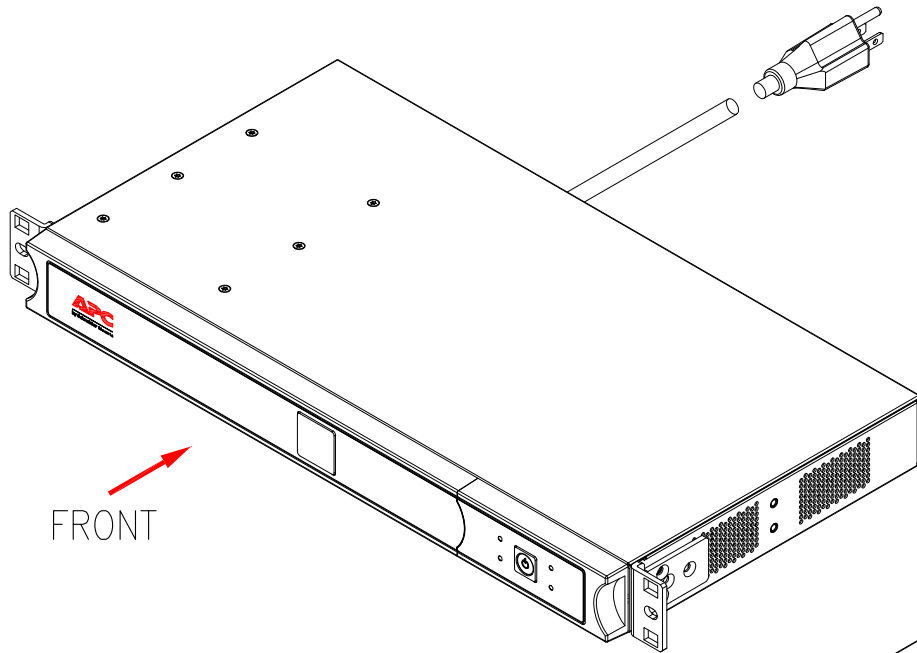
THIS DRAWING AND SPECIFICATIONS HEREIN ARE THE PROPERTY OF SCHNEIDER ELECTRIC AND SHALL NOT BE COPIED, REPRODUCED OR USED IN WHOLE OR IN PART, AS THE BASIS FOR THE MANUFACTURE OR SALE OF ITEMS WITHOUT WRITTEN PERMISSION FROM SCHNEIDER ELECTRIC. THIS DRAWING IS BASED UPON LATEST AVAILABLE INFORMATION AND IS SUBJECT TO CHANGE WITHOUT NOTICE.

Schneider
Electric

TITLE: APC Smart-UPS Li-Ion
 Input: 120VAC, (L+N+G), 50/60Hz, 1PH, NEMA 5-15P
 UPS Output: 120VAC, (L+N+G), 50/60Hz, 1PH, (4)NEMA 5-15R
 SHORT DEPTH 500VA UPS WITH SmartConnect
 DRAWING GUIDE

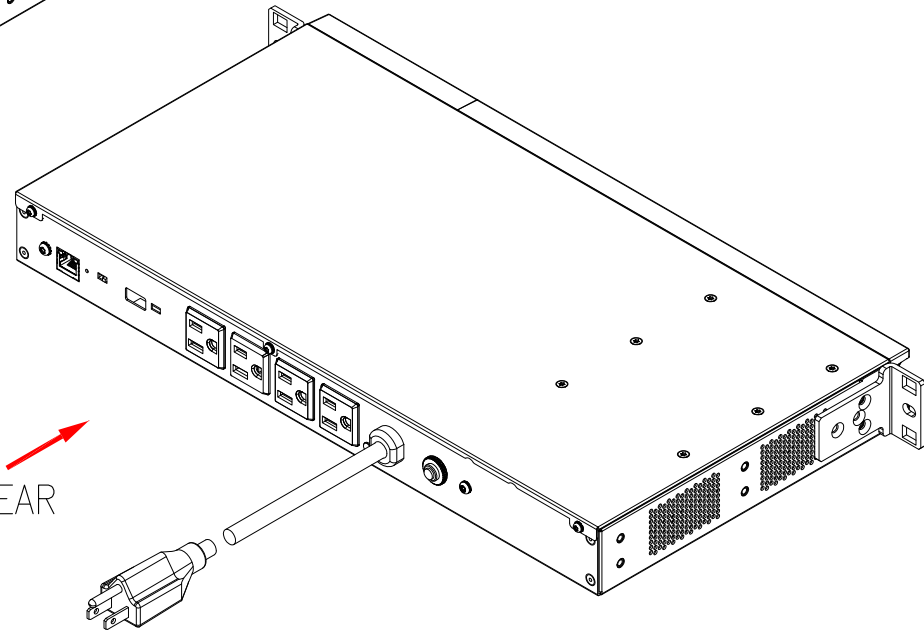
PROJECT: DRAWINGS SHEET 1 OF 5

DWG NO: SCL500RM1UC	REV. 0
DRAWN BY: JAYAPRAKASH	09-MAY-19
ENGINEER: Elvis WU	09-MAY-19
APPROVED BY: Harry CHEN	09-MAY-19
PROJECTION	N.A.



FRONT

UPS-ISOMETRIC VIEW



REAR

NOTES:

1. INSTALLATION SHALL COMPLY WITH ALL APPLICABLE NATIONAL, STATE AND LOCAL CODES.
2. REFER TO PRODUCT DOCUMENTATION FOR ADDITIONAL DETAILS PRIOR TO INSTALLATION AND SITE PREPARATION WORK.

THIS DRAWING AND SPECIFICATIONS HEREIN ARE THE PROPERTY OF SCHNEIDER ELECTRIC AND SHALL NOT BE COPIED, REPRODUCED OR USED IN WHOLE OR IN PART, AS THE BASIS FOR THE MANUFACTURE OR SALE OF ITEMS WITHOUT WRITTEN PERMISSION FROM SCHNEIDER ELECTRIC. THIS DRAWING IS BASED UPON LATEST AVAILABLE INFORMATION AND IS SUBJECT TO CHANGE WITHOUT NOTICE.



TITLE: APC Smart-UPS Li-Ion
 Input: 120VAC, (L+N+G), 50/60Hz, 1PH, NEMA 5-15P
 UPS Output: 120VAC, (L+N+G), 50/60Hz, 1PH, (4)NEMA 5-15R
 SHORT DEPTH 500VA UPS WITH SmartConnect
 UPS-ISOMETRIC VIEW

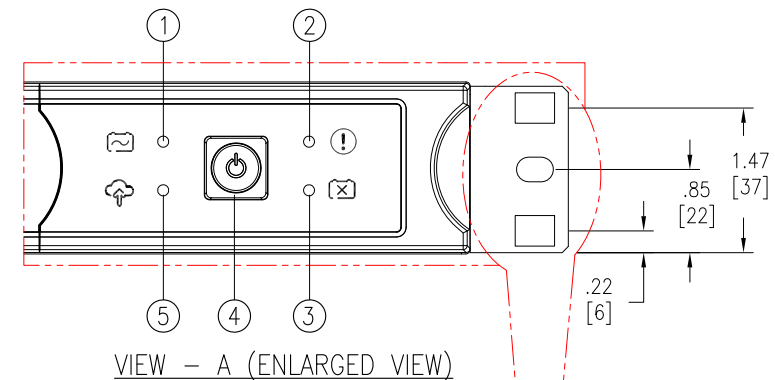
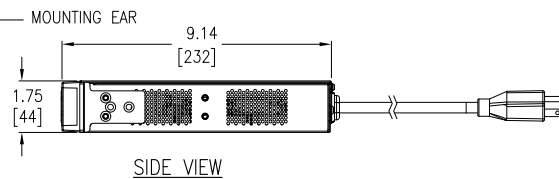
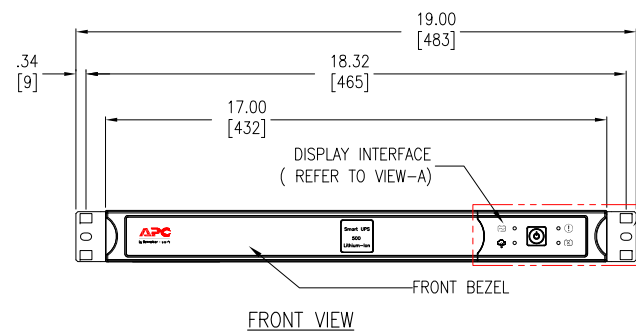
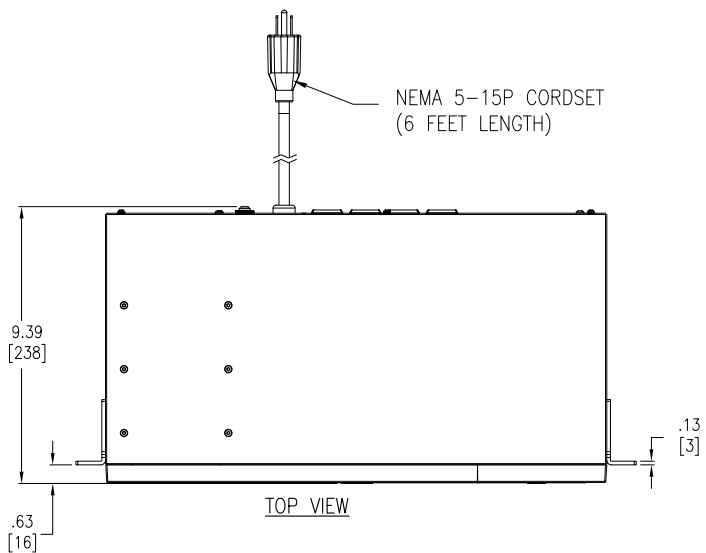
PROJECT: DRAWINGS SHEET 2 OF 5

DWG NO: SCL500RM1UC **REV.** 0

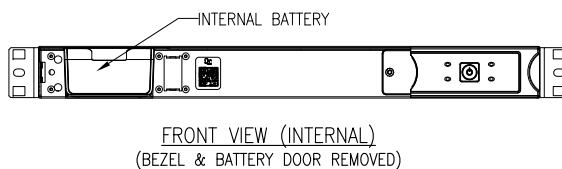
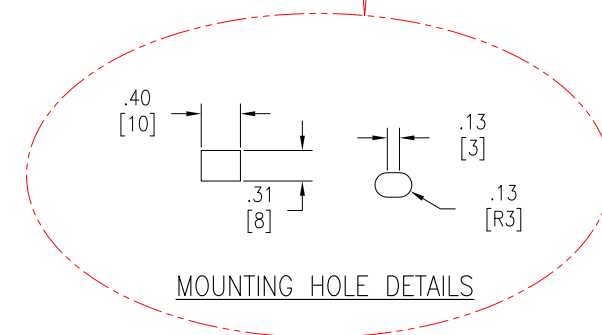
DRAWN BY: JAYAPRAKASH 09-MAY-19 **THIRD**

ENGINEER: Elvis WU 09-MAY-19 **ANGLE**

APPROVED BY: Harry CHEN 09-MAY-19 **PROJECTION**



1. Online / On Battery Indicator.
2. Event Detected Indicator.
3. Replace Battery Indicator.
4. UPS Output ON/OFF Button.
5. APC SmartConnect Status Indicator.



NOTES:

1. INSTALLATION SHALL COMPLY WITH ALL APPLICABLE NATIONAL, STATE AND LOCAL CODES.
2. REFER TO PRODUCT DOCUMENTATION FOR ADDITIONAL DETAILS PRIOR TO INSTALLATION AND SITE PREPARATION WORK.
3. ALL DIMENSIONS ARE IN INCHES [MILLIMETERS].
4. CABLE ENTRY IS FROM REAR OF UNIT.
5. WEIGHT OF UNIT IS 9.25 lb [4.2 kg].

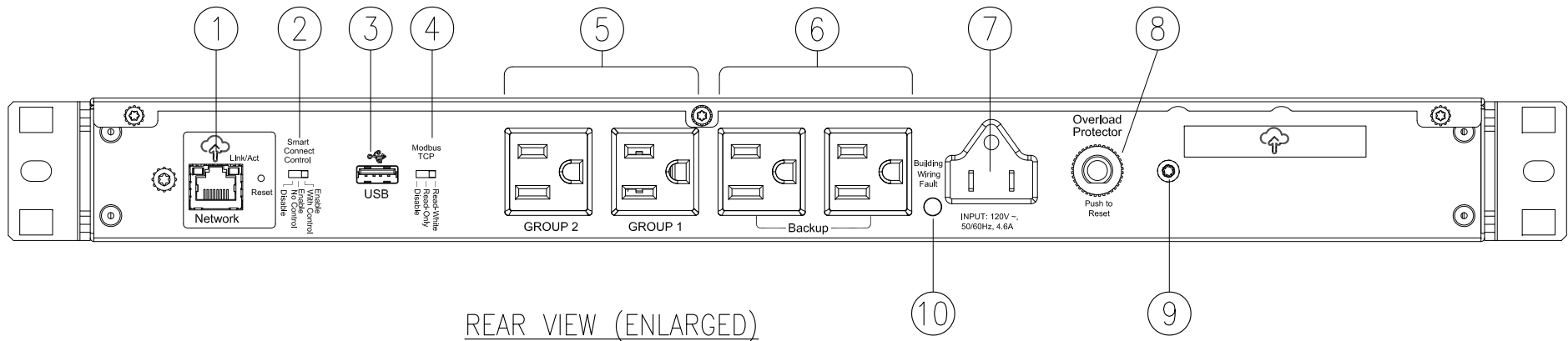
THIS DRAWING AND SPECIFICATIONS HEREIN ARE THE PROPERTY OF SCHNEIDER ELECTRIC AND SHALL NOT BE COPIED, REPRODUCED OR USED IN WHOLE OR IN PART, AS THE BASIS FOR THE MANUFACTURE OR SALE OF ITEMS WITHOUT WRITTEN PERMISSION FROM SCHNEIDER ELECTRIC. THIS DRAWING IS BASED UPON LATEST AVAILABLE INFORMATION AND IS SUBJECT TO CHANGE WITHOUT NOTICE.

Schneider Electric

TITLE: APC Smart-UPS Li-Ion
 Input: 120VAC, (L+N+G), 50/60Hz, 1PH, NEMA 5-15P
 UPS Output: 120VAC, (L+N+G), 50/60Hz, 1PH, (4)NEMA 5-15R
 SHORT DEPTH 500VA UPS WITH SmartConnect
 GENERAL ARRANGEMENT

PROJECT: DRAWINGS **SHEET** 3 OF 5

DWG NO:	SCL500RM1UC	REV.	0
DRAWN BY:	JAYAPRAKASH	09-MAY-19	THIRD
ENGINEER:	Elvis WU	09-MAY-19	ANGLE
APPROVED BY:	Harry CHEN	09-MAY-19	PROJECTION



REAR VIEW (ENLARGED)

1. APC SmartConnect Port
2. APC SmartConnect Control
3. USB Port
4. Modbus TCP Control
5. Controlled Outlet Group – NEMA 5–15R Outlets x (2)
6. Outlets – NEMA 5–15R Outlets x (2)
7. UPS Input Power Cord (NEMA 5–15P Cordset)
8. Circuit Breaker
9. Chassis Ground Connection Screw
10. Building Wiring Fault Indicator

NOTES:

1. INSTALLATION SHALL COMPLY WITH ALL APPLICABLE NATIONAL, STATE AND LOCAL CODES.
2. REFER TO PRODUCT DOCUMENTATION FOR ADDITIONAL DETAILS PRIOR TO INSTALLATION AND SITE PREPARATION WORK.

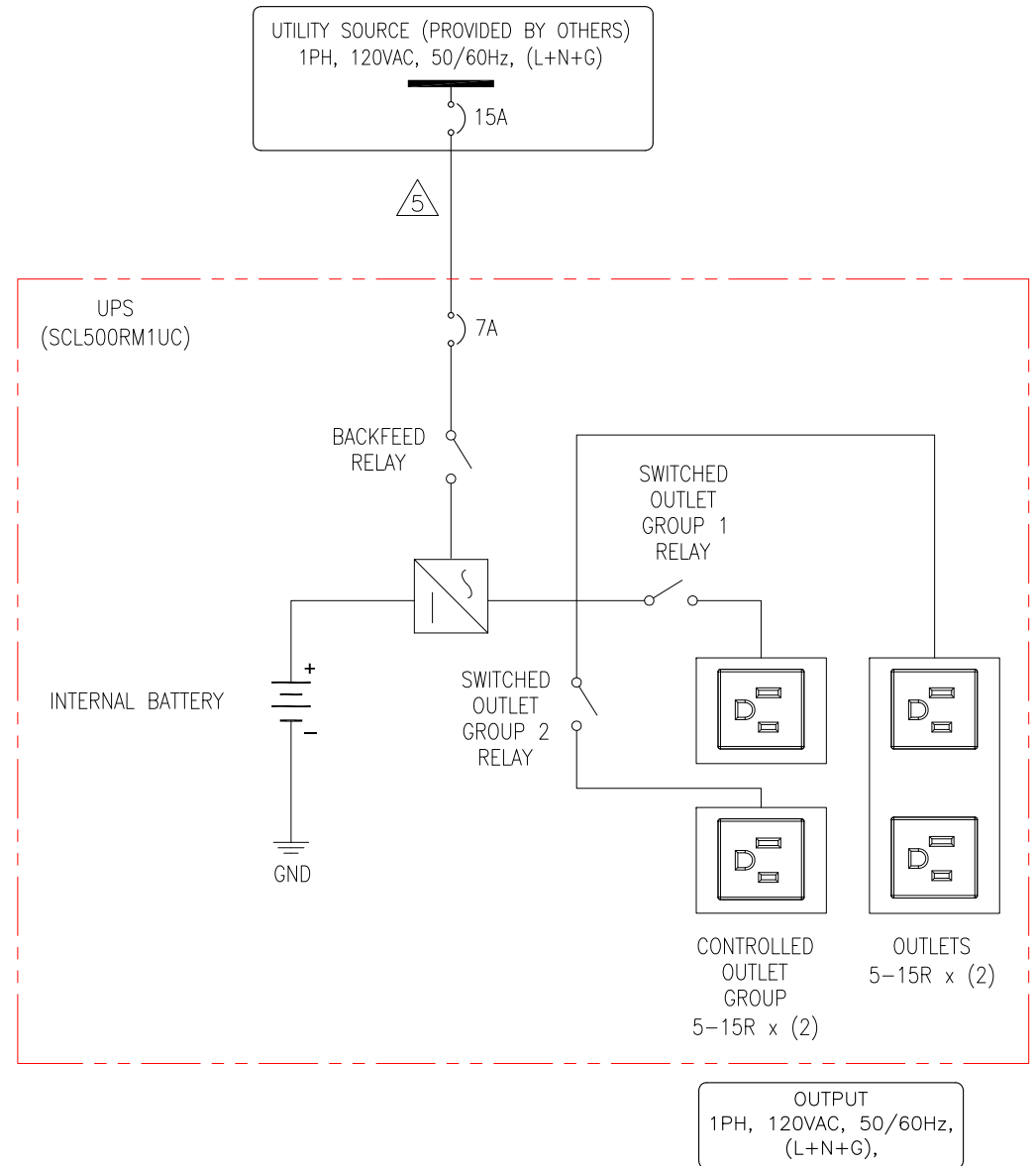
THIS DRAWING AND SPECIFICATIONS HEREIN ARE THE PROPERTY OF SCHNEIDER ELECTRIC AND SHALL NOT BE COPIED, REPRODUCED OR USED IN WHOLE OR IN PART, AS THE BASIS FOR THE MANUFACTURE OR SALE OF ITEMS WITHOUT WRITTEN PERMISSION FROM SCHNEIDER ELECTRIC. THIS DRAWING IS BASED UPON LATEST AVAILABLE INFORMATION AND IS SUBJECT TO CHANGE WITHOUT NOTICE.



TITLE: APC Smart-UPS Li-Ion
 Input: 120VAC, (L+N+G), 50/60Hz, 1PH, NEMA 5-15P
 UPS Output: 120VAC, (L+N+G), 50/60Hz, 1PH, (4)NEMA 5-15R
 SHORT DEPTH 500VA UPS WITH SmartConnect
 REAR VIEW

PROJECT: DRAWINGS SHEET 4 OF 5

DWG NO:	SCL500RM1UC	REV.	0
DRAWN BY:	JAYAPRAKASH	09-MAY-19	THIRD
ENGINEER:	Elvis WU	09-MAY-19	ANGLE
APPROVED BY:	Harry CHEN	09-MAY-19	PROJECTION



NOTES:

1. INSTALLATION SHALL COMPLY WITH ALL APPLICABLE NATIONAL, STATE AND LOCAL CODES.
 2. REFER TO PRODUCT DOCUMENTATION FOR ADDITIONAL DETAILS PRIOR TO INSTALLATION AND SITE PREPARATION WORK.
 3. DRAWING DEPICTS POWER SYSTEM CONNECTIONS AND IS NOT REPRESENTATIVE OF PHYSICAL LAYOUT. PLEASE REFER TO MECHANICAL DRAWINGS FOR MORE SPECIFIC PHYSICAL DATA.
 4. UTILITY SOURCE MUST BE 1PH, 120VAC (L+N+G), 50/60Hz PROVIDED BY OTHERS.
- △5. CORDSET 6 FEET, NEMA 5-15P IS PART OF UPS.

THIS DRAWING AND SPECIFICATIONS HEREIN ARE THE PROPERTY OF SCHNEIDER ELECTRIC AND SHALL NOT BE COPIED, REPRODUCED OR USED IN WHOLE OR IN PART, AS THE BASIS FOR THE MANUFACTURE OR SALE OF ITEMS WITHOUT WRITTEN PERMISSION FROM SCHNEIDER ELECTRIC. THIS DRAWING IS BASED UPON LATEST AVAILABLE INFORMATION AND IS SUBJECT TO CHANGE WITHOUT NOTICE.



TITLE: APC Smart-UPS Li-Ion
Input: 120VAC, (L+N+G), 50/60Hz, 1PH, NEMA 5-15P
UPS Output: 120VAC, (L+N+G), 50/60Hz, 1PH, (4)NEMA 5-15R
SHORT DEPTH 500VA UPS WITH SmartConnect
SYSTEM ONLINE DIAGRAM

PROJECT: DRAWINGS **SHEET 5 OF 5**

DWG NO: SCL500RM1UC **REV.** 0

DRAWN BY: JAYAPRAKASH 09-MAY-19

ENGINEER: Elvis WU 09-MAY-19

APPROVED BY: Harry CHEN 09-MAY-19

ANGLE

PROJECTION

N.A.