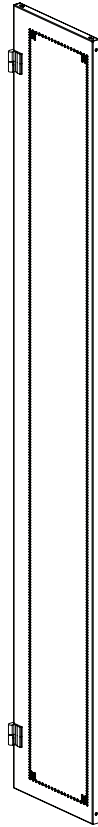


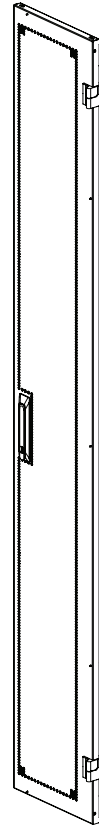
Tool List:

- T25 Torx

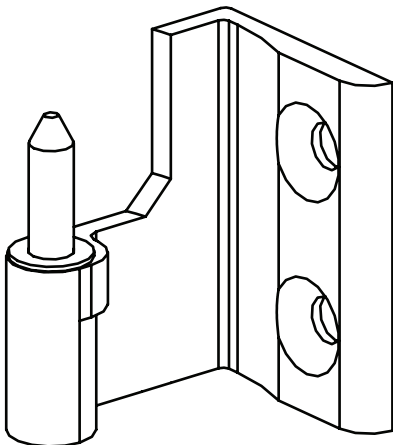
Components Included:



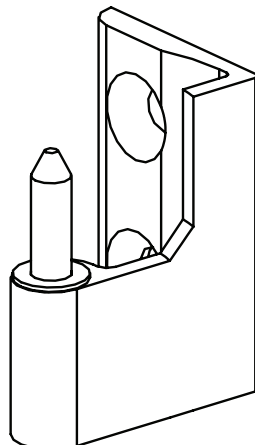
LH Door Assembly
qty. 1



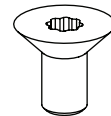
RH Door Assembly
qty. 1



LH Door Hinge
qty. 2



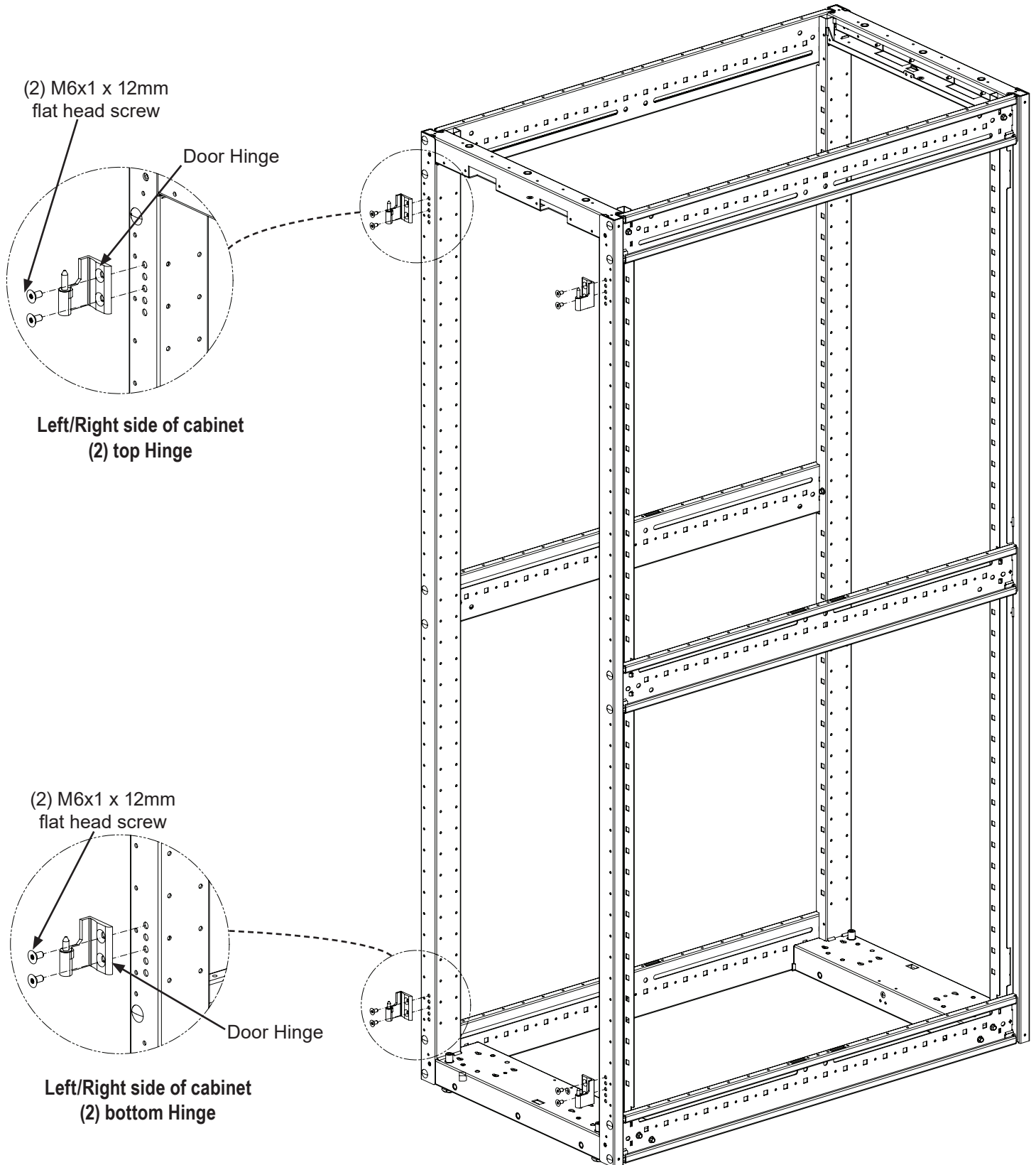
RH Door Hinge
qty. 2



M6x1 x 12mm flat head
T25 Torx screw
qty. 8

Install Hinges to frame

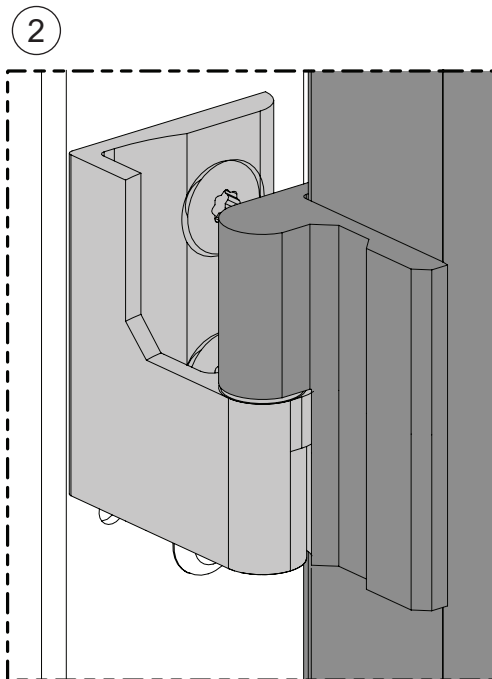
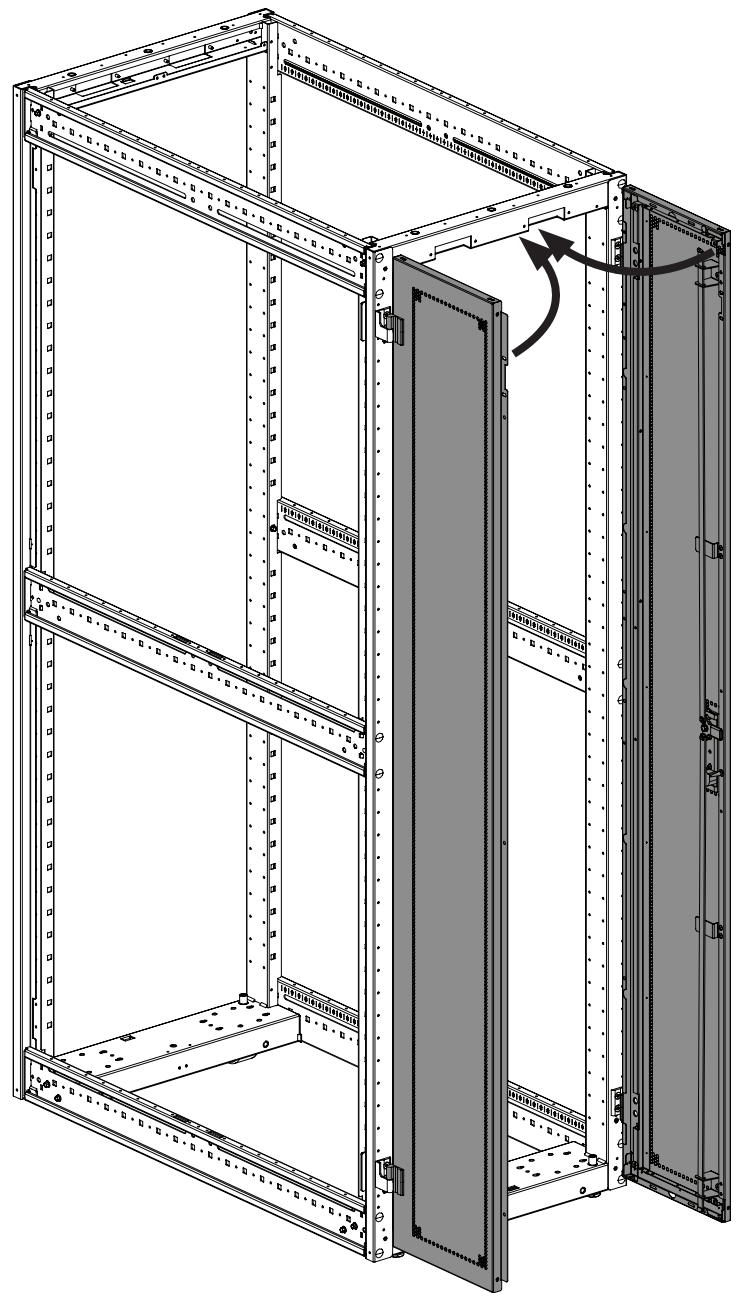
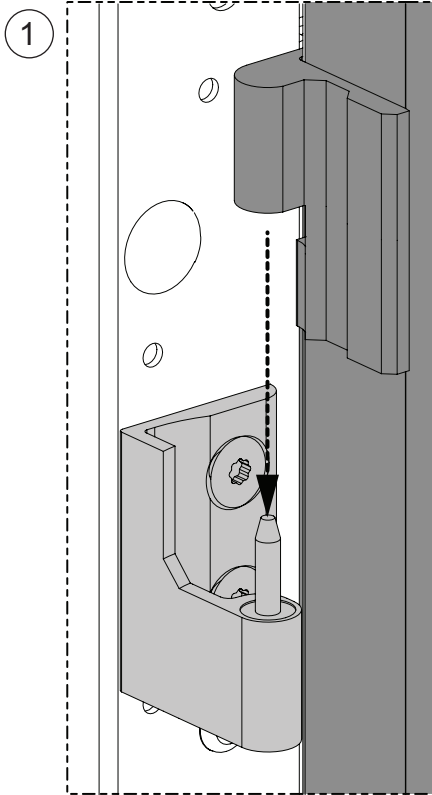
- Install (4) Hinges with (2) M6 screws to the cabinet frame. Secure to the 1st & 3rd holes from the top of hole array as shown.



Split Doors (Removal and Installation)

- Place Doors to approximately 90°.
- Lower Doors on hinges toward Cabinet frame.

Note: Align Top pins first.



For Instructions in Local Languages
and Technical Support:

www.panduit.com/resources/install_maintain.asp

PANDUIT
www.panduit.com

E-mail:
techsupport@panduit.com

Phone:
866-405-6654