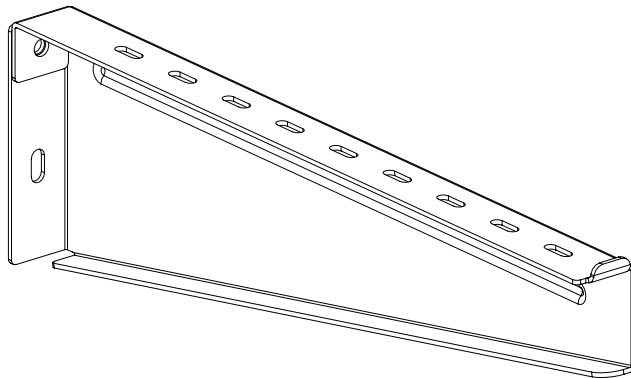
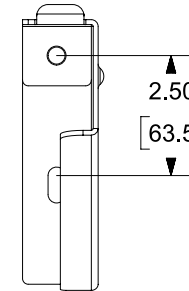
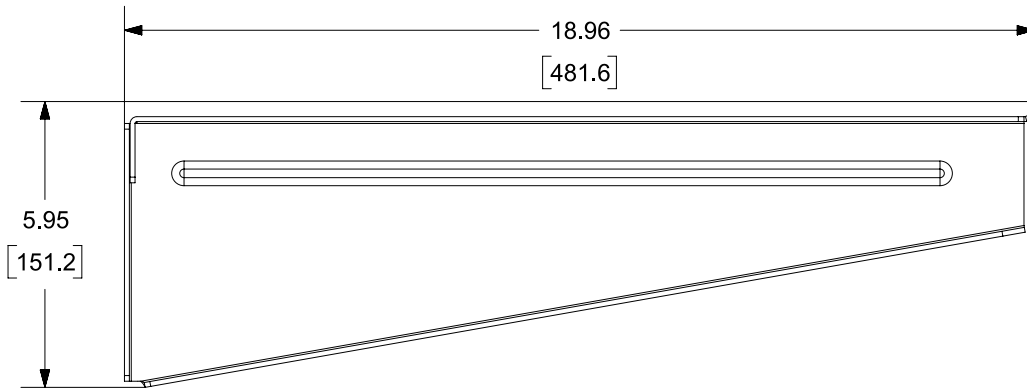
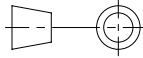


THIS COPY IS PROVIDED ON A RESTRICTED BASIS AND IS NOT TO BE USED IN ANY WAY DETRIMENTAL TO THE INTERESTS OF PANDUIT CORP.

NOTES:

1. VISIT OUR ON-LINE CATALOG AT WWW.PANDUIT.COM FOR A LIST OF CURRENT PARTS APPLICABLE FOR USE WITH THIS PRODUCT.
2. DIMENSIONS IN [] ARE METRIC.
3. PART INCLUDES 2 BRACKETS



PART NUMBER		PWBCB18**		
TITLE				
PANDUIT WIRE BASKET CANTILEVER BRACKET FOR 18" BASKET				
CUSTOMER DRAWING				
ITEM REVISION NAME		00510EPK/00		
DATASET FILE NAME		00510EPK_DC/00A		
MATERIAL		C.R.S.		
DRAWING NUMBER		00510EPK - DC		
THIRD ANGLE PROJECTION				
00A	6/2/21	JSP	WJM	ML INITIAL RELEASE
00510EPK-DC				
REV	DATE	BY	CHK	APR DESCRIPTION
JSP	6/2/21	WJM	NONE	ECN
SHEET 1 OF 1		A		

A-SIZE CUSTOMER

2

1

2

1