



OVERVIEW

The PoE+ IP Speaker with HD Display works well for offices, classrooms, and any average-sized room.

AUDIO



8" high-efficiency speaker
Audio coverage up to 600 ft²
NEW digitally enhanced bass

MICROPHONE



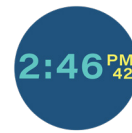
Hands-free talk back
Monitoring

FLASHER BAR



RGB flashing LED bar.
Customize for additional
visual messaging in any color.

DISPLAY



1920 x 720 high resolution
Full-color HD screen
Viewable at 50ft
Angled display to reduce glare

PERIPHERAL INTEGRATION



Connect strobes, motion
sensors, electronic locks,
call buttons, etc.

SOFTWARE



Diagnostic software included
Compatible with third-party
software, including InformaCast,
Revolution, and Cisco CallManager

SIP INTEGRATION



SIP-enabled
Easily interfaces with
VoIP/SIP phone systems

LIGHT SENSOR



Auto-dimming display

SOLUTIONS

- Paging
- Intercom
- Bell scheduling
- Code alerts
- Emergency notification
- Access control
- Security monitoring
- Music streaming

ADDITIONAL FEATURES

- Built-in web server
- Full multicast and broadcast support
- Requires Cat5 or Cat6 cable
- Back enclosure is included
- Atomic time
- 2 general purpose inputs
- 1 general purpose output relay

COMPATIBLE PERIPHERALS

Strobe Kit
AND-STROBE-KIT-1

Call Button Kit
BTN-KIT-MIC-ND
AND-BTN-KIT-1

SOFTWARE

The IPSWDHD-MW integrates easily with third-party mass notification software, as well as SIP and VoIP phone systems, enabling a facility to take advantage of all the device capabilities. The device also comes with diagnostic software (compatible to run alongside third-party software), and an on-board web server interface, both which provide the ability to monitor and troubleshoot the ANetD devices on the network.

Third-Party Software

- InformaCast (Singlewire)
- Intrado Revolution (Syn-Apps)
- IPSession (IPCelerate)
- MessageNet Systems
- BellComander (Acro Vista)
- And more!

VoIP Phone Systems

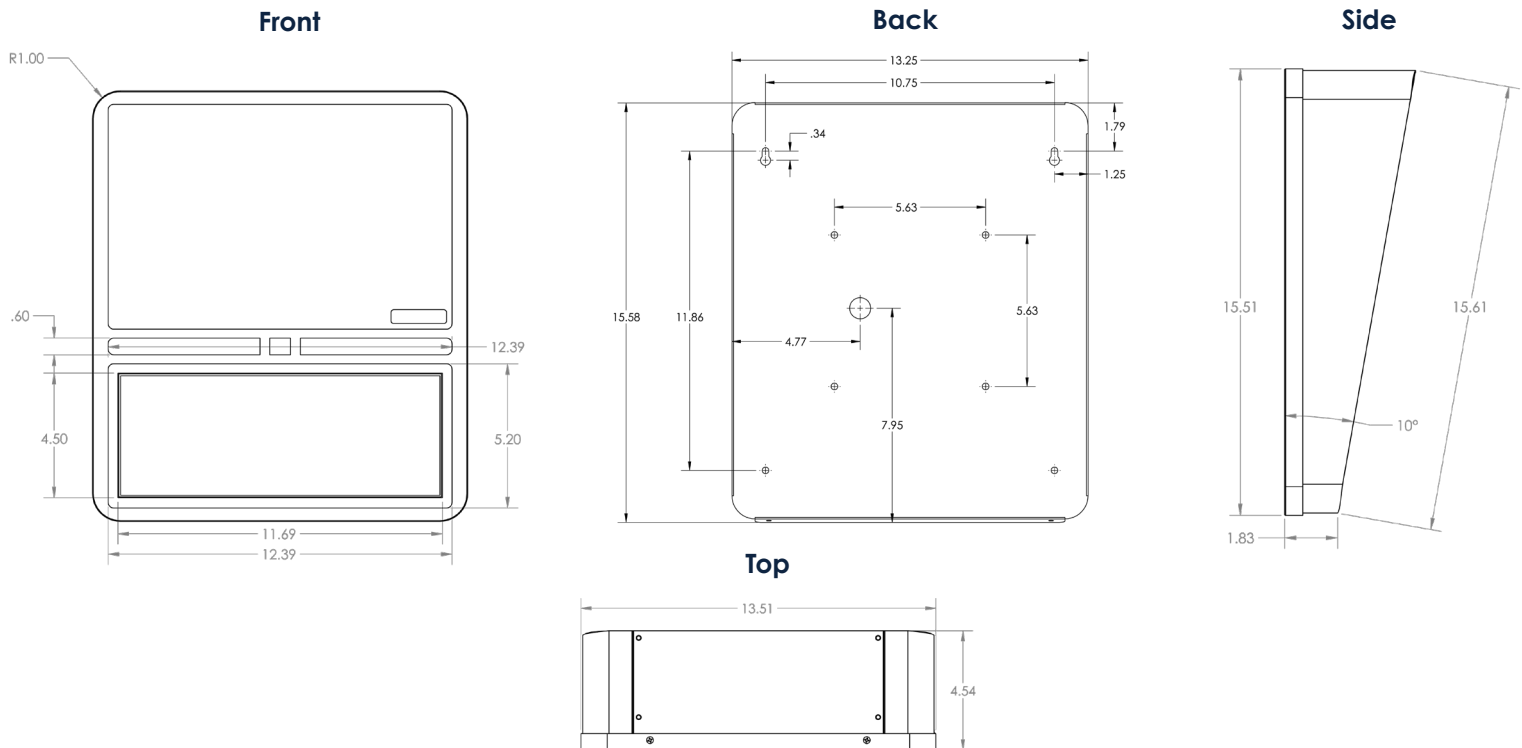
- Cisco CallManager
- Mitel
- Avaya
- 3CX
- Polycom
- And more!

IPClockWise

- Diagnostic tool included with device purchase
- Complements investment in third-party software
- Developed and supported by Advanced Network Devices

DIMENSIONS

Dimensions Subject to Change



SPECIFICATIONS

IPSWDHD-MW

ETHERNET I/F	10/100/1000 Mbps
SPEAKER SIZE	8"
AVERAGE SENSITIVITY	95dB, 1W /1 M
FREQUENCY RESPONSE	60 Hz - 17 kHz
AUDIO PAYLOAD TYPES	G711, A-law and μ -law
POWER INPUT	PoE+ (IEEE802.3at) 30.0W
SUPPORTED PROTOCOLS	SIP, IPv4, IPv6, 802.1X, HTTP, SLP, TFTP, NTP, SNMPV1 & SNMPV2c, DHCP, IGMP, ICMP, TCP/IP, LLDP-MED, UDP, MDNS & MDNS-SD
OPERATING TEMPERATURE	14° TO 122° F (-10° TO 50° C)
DIMENSIONS	13.25" W x 15.58" H x - 4.54" D - Subject to Change
WEIGHT	10.5 lbs (4.7 kg)
WARRANTY	2 Year Limited

Due to continual product development, specifications are subject to change without notice.

