

SBP-156HMW

Hanging Mount



Key Features

- Compatible with XNP-9300RW/8300RW/6400RW
- Material : Aluminum
- Color : White
- Dimensions : $\Phi 95.5 \times 77.0$ mm($\Phi 3.76 \times 3.03$ ")
- Connects compatible cameras to 1.5" NPT

Accessories (Optional)



XNP-9300RW



XNP-8300RW

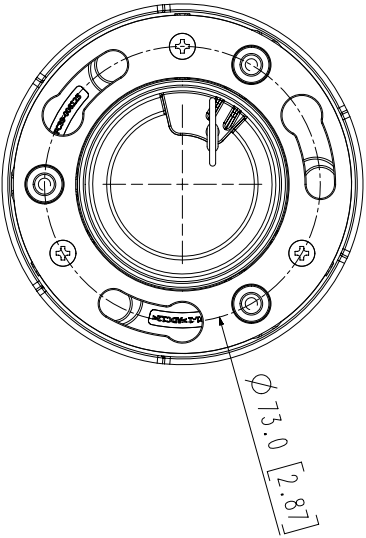
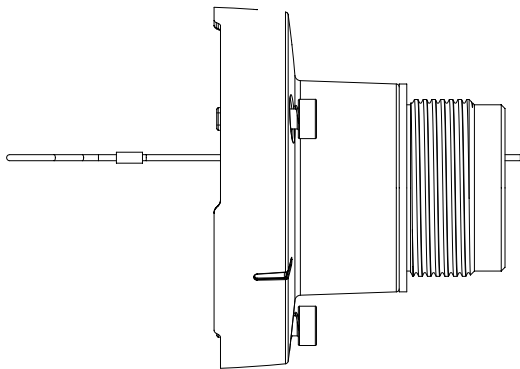
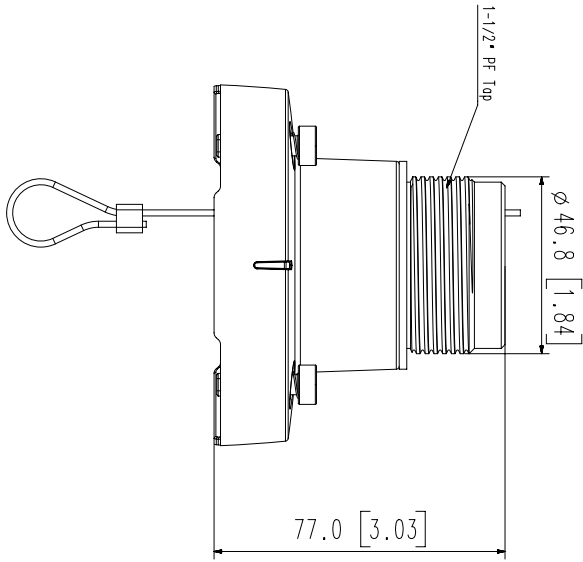
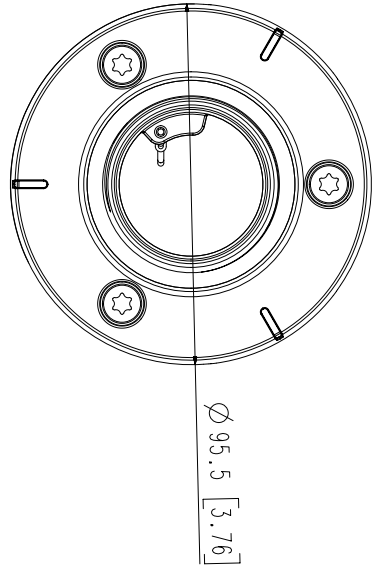


XNP-6400RW

Mechanical

Color	White
Material	Aluminum
RAL code	RAL9003
Product dimensions / weight	Φ95.5x77.0 mm(Φ3.76x3.03")/194g(0.43 lb)
Supported products	XNP-9300RW/XNP-8300RW/XNP-6400RW ※ For further compatible models, please visit our website or use Toolbox

- The latest product information / specification can be found at hanwhasecurity.com
- Design and specifications are subject to change without notice.
- Wisenet is the proprietary brand of Hanwha Techwin , formerly known as Samsung Techwin.



No.	1	SBP-156HMW	20.06.18
		MODEL NAME	DATE
Unit : [mm inch] SCALE : 1/1			
© Hanwha Techwin			