



MODEL 38EL/38ELAO

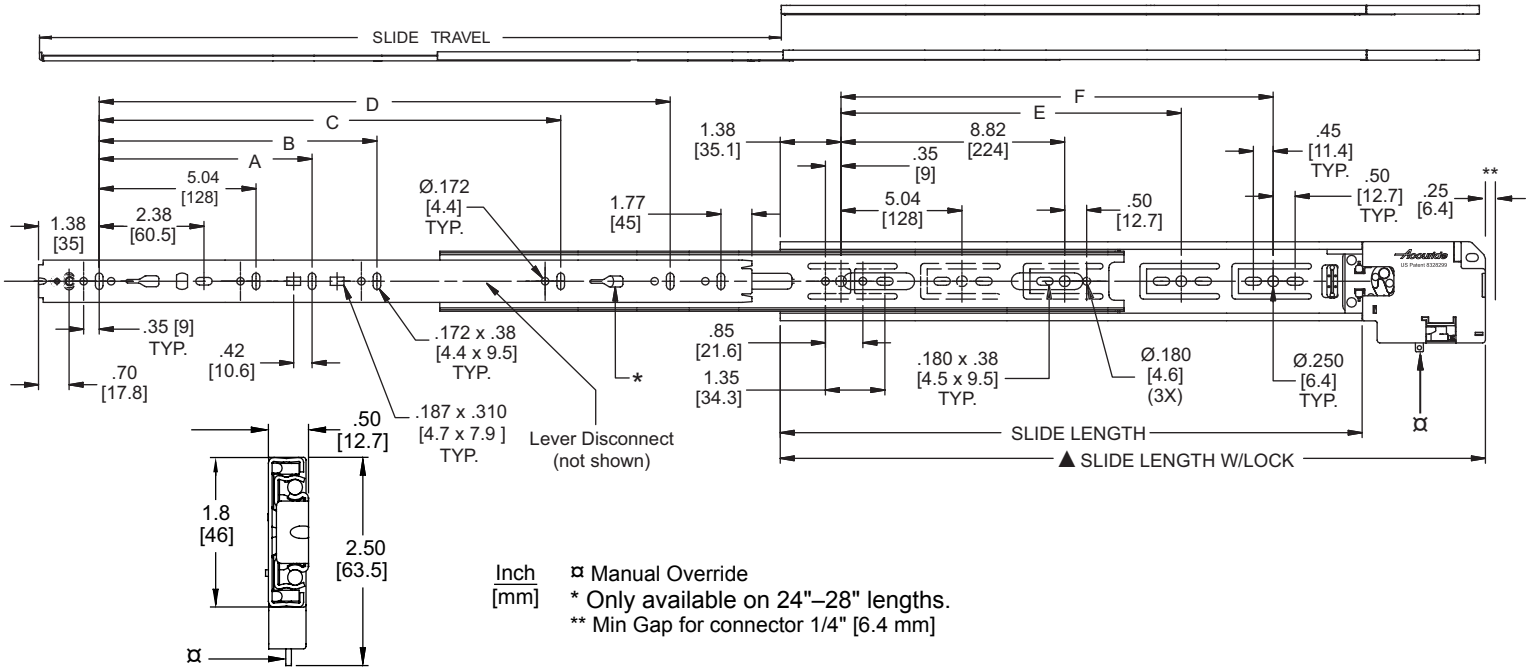
Integrated Electronic Locking Slide
Slide 100-lb. load rating
Available standard lock/unlock and Auto-Open



APPLICATIONS: Provides an easy-to-install method to secure and control access to drawers. **This product is covered by U.S. (8,328,299), and various patents pending.**

38EL/38ELAO QUICK REFERENCE

Side Space: (1/2"+1/32") X 2
Lengths: 12"–28"
Height: 1.80"
Slide Load: 100-lb.*
Lock Force: 250 lbf.



- Finish:** Clear electroplate(C)
- Lengths:** 12"–28" [300 mm–700 mm]
Note: cabinet depth must include an additional 3" to allow room for the locking mechanism and wiring at the back of the slide.
- Load Rating:** Up to 100 lbs. [45.5 kg] per pair*
- Travel:** Full extension
- Disconnect:** Handed lever disconnect
- Height:** 1.80" [45.7mm]
- Height w/Lock:** 2.50" [63.5mm]
- Side Space:** 0.50 +0.031/-0.0 [12.7mm +0.8/0.0] or 1/2 + 1/32
- Mounting Hardware:** #8 pan or truss head screw (recommended max head height 0.100)
- Features:** Electronic locking mechanism with manual override. Lock withstands up to 250 pounds of force.
- Options:** Lock/Unlock (opened manually)
Auto-Open (propelled open about 2" when unlocked)
Auto-Open action works best with auto-lock feature, which is controlled through Senseon Access Control

Part Number	Slide Length	Length w/Lock	Travel	A	B	C	D	E	F
D38EL-12P D38ELAO-12P	11.81 [300]	14.61 [371]	12.00 [305]						
D38EL-14P D38ELAO-14P	13.78 [350]	16.58 [421]	14.00 [356]						
D38EL-16P D38ELAO-16P	15.75 [400]	18.55 [471]	16.00 [406]						12.60 [320]
D38EL-18P D38ELAO-18P	17.72 [450]	20.51 [521]	18.00 [457]			12.60 [320]			13.86 [352]
D38EL-20P D38ELAO-20P	19.68 [500]	22.48 [571]	20.00 [508]			12.60 [320]			16.38 [416]
D38EL-22P D38ELAO-22P	21.65 [550]	24.45 [621]	22.00 [559]			12.60 [320]	16.38 [416]	13.86 [352]	17.64 [448]
D38EL-24P D38ELAO-24P	23.62 [600]	26.42 [671]	24.00 [610]	8.82 [224]		16.38 [416]		13.86 [352]	18.90 [480]
D38EL-26P D38ELAO-26P	25.59 [650]	28.39 [721]	26.00 [660]	8.82 [224]		16.38 [416]	21.42 [544]	13.86 [352]	21.42 [544]
D38EL-28P D38ELAO-28P	27.56 [700]	30.36 [771]	28.00 [711]	8.82 [224]	11.34 [288]	16.38 [416]	21.42 [544]	13.86 [352]	21.42 [544]

* Slide load rating based on 18" slides mounted in a 24" wide drawer cycled 50,000 times.



WARNING! Before installing the drawer, insure you have access to the lock's manual override lever or the activation device must be connected and working properly. **Otherwise, you will not be able to unlock the slide and open the drawer.**

IMPORTANT:

- Be sure the interior cabinet depth allows for an additional 3" beyond the length of the slide to provide room for the locking mechanism and wiring. See the chart below for minimum cabinet depth. For inset drawers, be sure to provide sufficient cabinet depth to allow for the slide setback.

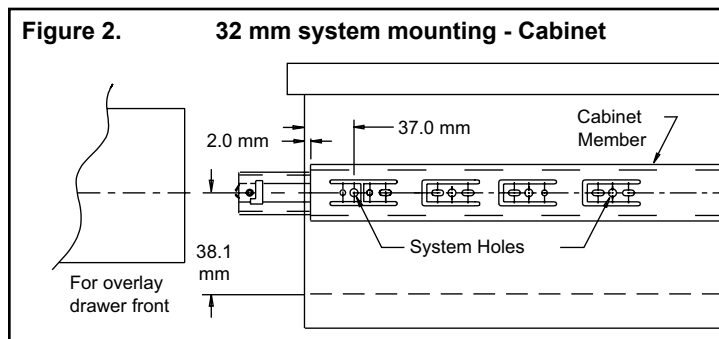
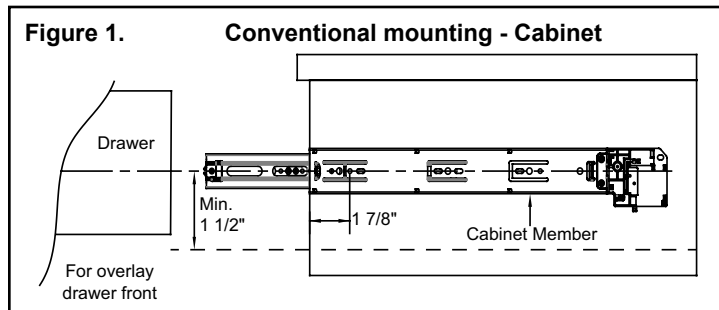
Slide Length	Min. Cabinet Depth
16"	19"
18"	21"
20"	23"
22"	25"

- Slides will not function properly if side space is less than .50" [12.7 mm]. For optimum performance, construct drawer 1-1/16" [27.0 mm] smaller than the opening of the cabinet.

Slide Installation

Install Cabinet Member

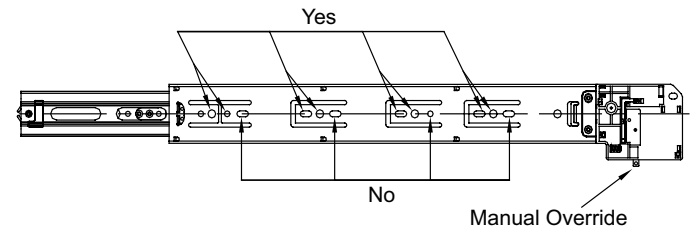
1. Separate the slide members by first actuating the manual override located on the locking mechanism.
2. Then, lift the disconnect lever to release the inner (drawer) member.
3. Overlay drawer front:
 - Conventional mounting, see Figure 1.
 - 32 mm system mounting, see Figure 2.



4. Inset drawer front:
Slide setback is the thickness of the drawer front plus 1/8" [3.2 mm].
5. Use only the 32 mm system holes or the wood screw holes located at the tip of the breathing tabs. Do not use any other holes on the cabinet member for mounting (Figure 3).

Figure 3. Cabinet Member Fastener Locations

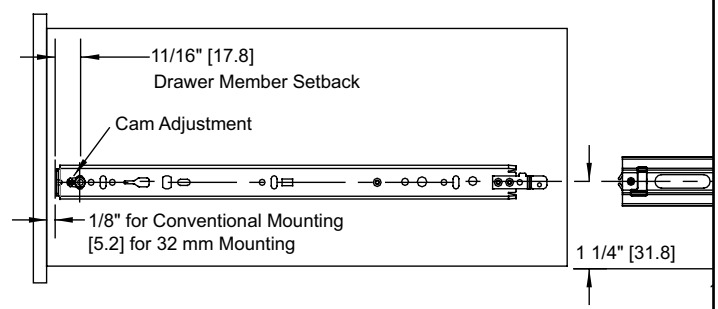
Use all mounting tabs to achieve load rating.



Install Drawer Member

1. See Figure 4 for drawer member setback.
2. Install the drawer member with a screw through the cam adjuster and a screw through a hole or slot at the rear (see Figure 5).

Figure 4. Conventional Mounting and 32 mm Mounting - Drawer



Drawer Insertion and Adjustment



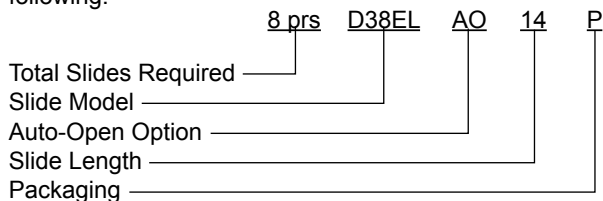
WARNING! Before installing the drawer, you must have access to the lock's manual override lever or the activation device must be connected and working properly. **Otherwise, you will not be able to unlock the slide and open the drawer.**

1. Make sure the ball bearing retainers in the cabinet are fully forward. Install drawer into cabinet and close the drawer.
2. Install additional screws to secure the drawer member.

Refer to Senseon Installation Guide for complete system instructions.

D38EL AO XXP (Auto-Open-option)
D38EL XXP (Lock/Unlock)

Complete your slide order for 38EL by specifying the following:



Note: To complete your order refer to required kit part numbers.

Required Kits

Proximity Kit: One Proximity Kit per each Senseon system.
Part number SEPROX-US-Kit1.

This kit includes:

- 1 RFID Reader
- 1 Power Supply
- 1 Reader Holder
- 1 DC Power Cable
- 1 Reader Splitter Cable
- 1 AC Cord
- 1 Proximity Kit Box
- 2 Power Supply Holders
- 12 Cable Clips

Hub Kit: One Hub Kit per cabinet opening (drawer or door).
Modular wiring kit part number SEHUBX-Kit1.

This kit includes:

- 1 Hub Assembly
- 2 Hub to Lock Cables
- 4 Cable Clips
- 6" Double Stick Tape

Optional Kits

Linking Cables: To connect multiple banks of lock openings.

Top Linking SELINK-TOP-KIT1
Bottom Linking SELINK-BTM-KIT1

Extension Cables: Available in 3 lengths

6" SECBLX-6-KIT1
12" SECBLX-12-KIT1
24" SECBLX-24-KIT1

Note: See installation and ordering guides.

Click here for [Installation Guide](#)

Click here for [Ordering Guide](#)

Slide members and ball retainers: Cold rolled steel
Ball bearings: Carburized steel/acetal polymer
Lock: Zinc and black polymer
RoHS compliant

NOTE: Specifications, materials, prices, terms, and delivery are subject to change without notice.

Packaging Options

A pair of slides is package in a box, which includes one locking and one non-locking electronic lock.

Bulk Pack (P): Full box quantity, package in a larger box with 4 individual boxes with a pair of 38EL e-locks each.

Warranty

For warranty information visit
<http://www.senseonsecure.com/warranty>

Accuride®

Accuride International Inc.

12311 Shoemaker Avenue Manufacturing, Engineering, and Sales
Santa Fe Springs, CA 90670 United States • Germany • Japan •
TEL (562) 903-0200 Mexico • United Kingdom • China
FAX (562) 903-0208

For the most current technical information visit www accuride.com

⚠ WARNING: This product can expose you to chemicals including nickel, which is known to the State of California to cause cancer and birth defects or other reproductive harm. For more information go to www.P65Warnings.ca.gov.