

1008111050

TCIS-5

IP and SIP Intercom



IC-EDGE IC-Edge



SIP



Door Intercom



ICX-AlphaCom



Avaya Certified



CISCO Certified



NEC Certified



UL Certified Intercom



Turbine



IP66



IK08



Automatic Volume



HD Voice



Automatic Gain Control



Active Noise Cancelling



Voice Activity Detection

DESCRIPTION

- Designed according to Disability Act requirements
- Audio Presence - crystal clear audio
- Amazing sound pressure levels when needed with automatic volume adjustment
- Background noise cancellation
- Dirt, dust and water resistant - rating IP66
- Built to last with robust die-cast aluminum frame - rating IK08
- Supports wide set of IP and networking standards
- Black thermoplastic front plate with two labelled buttons
- Unique labelling solution with PMOLED display
- Ideal for Building Security and Public Environments

All IP stations in the Turbine series utilize the latest technology to create unparalleled audio quality. Some of the many features include: HD voice quality, Open Duplex, Active Noise Cancellation, MEMS microphone, a 10W Class D amplifier and our unique speaker grille design. These features, in conjunction with our 70+ years of experience with acoustic technology are only a few of the many factors that contribute to our superior audio quality.

See also: [additional documentation on wiki.zenitel.com](https://wiki.zenitel.com)

SPECIFICATIONS

AUDIO

| | |
|---|--|
| Audio quality - percentage articulation loss of consonants (Alcons) - at 70 dB | < 5%* |
| Audio quality - total harmonic distortion + noise, without noise reduction (THD+N) - at 70 dB | < 2%* |
| SPL rated power at 1m in open duplex | 95 dB* |
| SPL rated power at 1m in half duplex | 105 dB* |
| SPL rated power at 1m in program distribution and announcement | 105 dB* |
| Noise cancelling - suppression of musical noise | YES |
| Noise cancelling - suppression of static noise | YES |
| Noise cancelling - suppression of rapidly changing noise | YES |
| Codecs | G.711, G.722, G.729 |
| Frequency range, G.722 Codec | 200 Hz – 7000 Hz |
| Audio technology | Modes: Full open duplex, switched open duplex Adaptive jitter buffer Custom Ringing Tone Audio Mixing – Conversation and Group Call Sound Level Detection / scream alarm (only in AlphaCom) Automatic gain control (microphone) |
| Internal speaker amplifier | 10 W class D |
| Microphone technology | Digital MEMS, omnidirectional microphone |
| Automatic Volume Control (AVC) | Undistorted and clear audio |
| Acoustic Echo Cancellation (AEC) | Prevents audio feedback even at high volumes (95dB) |
| 10W Speaker | Matches 10W amp for distortion-free broadcast level sound * Tested with Audio Precision SYS 2722 equipment |

HARDWARE

| | |
|--|---|
| Ethernet connector | 1 x RJ 45 |
| All other connectors | Tool less, spring loaded, vibration proof terminals |
| General inputs and outputs | 6 (configurable) |
| Outputs | 12mA as LED drivers |
| Change-over relay (NO+NC+COM) | Max: 250VAC/220VDC, 2A, 60W |
| Power options | PoE and or external power supply |
| PoE (power over Ethernet) | IEEE 802.3af standard, Class 0 (0.44W to 12.95 W) |
| External power supply | 24 VDC (16 – 48 V) |
| Power consumption | Idle 1.8W, max 12W (depending on volume) |
| Audio Line out / Induction loop signal | 600 Ohm |

HARDWARE

| | |
|----------------------|-----------------------------------|
| Button backlight | LED |
| Call indication | Icons/colors for hearing impaired |
| Door open indication | Icons/colors for hearing impaired |
| Display technology | PMOLED |
| Display contrast | 20000:1 |
| Viewing angle | 160 deg |
| Display brightness | 120 cd/m2 |
| Display lifetime | 50 000 hours/5 years |

CONSTRUCTION

| | |
|---|---|
| Dimensions (HxWxD) | 180 x 120 x 73 mm / 7.1" x 4.7" x 2.9" |
| Dimensions after flush mount | 180 x 120 x 24 mm / 7.1" x 4.7" x 0.9" |
| Dimensions with on wall box | 180 x 120 x 86 mm / 7.1" x 4.7" x 3.4" |
| Weight | 0.8 kg / 1.8 lbs |
| Faceplate material | 3 mm / 0.12" PMMA, colour printed on back side |
| Base / frame material | 3 mm / 0.12" Aluminum alloy - A413.0, AlSi12Fe, painted |
| Electronics cover material | Polycarbonate (translucent) |
| Gasket material | Silicone rubber |
| Fastening bracket material | SECC Steel |
| Button material | 3 mm / 0.12" Polycarbonate (transparent) |
| Button travel length | 1.25 mm |
| Button activation force | 350 gf |
| Button push-cycles before failure | 300 000 |
| Anechoic Design | Open flow anechoic design eliminates "standing waves" |
| Loudspeaker poke protection, large diameter object | 3D cast aluminum speaker grille |
| Loudspeaker poke protection, small diameter objects | Stainless steel mesh, acoustically transparent |

NETWORKING AND PROTOCOLS

| | |
|--------------------------------|--|
| Protocols | IPv4 (with DiffServ), SIP, TCP, UDP, HTTPS, TFTP, RTP, SRTP, DHCP, SNMP, Vingtor-Stentofon CCoIP®, NTP |
| LAN protocols | Power over Ethernet (IEEE 802.3 a-f) Network Access Control (IEEE 802.1x) STP (IEEE 802.1d) |
| Management and operation | HTTP/HTTPS (Web configuration) DHCP and static IP. Remote automatic software upgrade. Centralized monitoring. |
| Advanced supervision functions | E.g. network test, tone test, status reports |
| SIP support | RFC 3261 (SIP base standard) RFC 3515 (SIP refer) RFC 2976 (SIP info), SIP using TLS, RFC 5630 SIPS URI scheme |
| DTMF support | RFC 2833, 2976 (SIP info) |

ENVIRONMENT AND COMPLIANCES

| | |
|-----------------------------|--|
| IP rating | IP-66, tested according to EN 60529 (applies when mounted in TA-1 back box) |
| IK rating | IK 08, tested according to EN 62262 |
| Operating temperature range | -40° to 70° C |
| Storage temperature range | -40° to 70° C |
| Relative humidity | < 95% not condensing |
| Corrosion | Salty mist, tested according to EN60945 |
| Vibration | Tested according to EN60945 |
| UV-resistant | YES |
| EMC | CE and FCC Part 15 EN 50121-3-2 Railway application EN 50121-4 Railway application UN Regulation 10, revision 4 + Corr.1 + Amend.1 |
| Compliances | IEC/EN 60945 Marine Equipment IEC/EN61000-6-1 and IEC/EN61000-6-3 (light industry) IEC/EN 50155 Railway Application *IEC/EN 50486 Equipment for use in audio video door-entry systems * With additional conformal coating Requires use of EN 50155 approved PoE switch |
| Certificates | UL 60950-1, cUL 60950-1, CB to IEC 60950-1 |

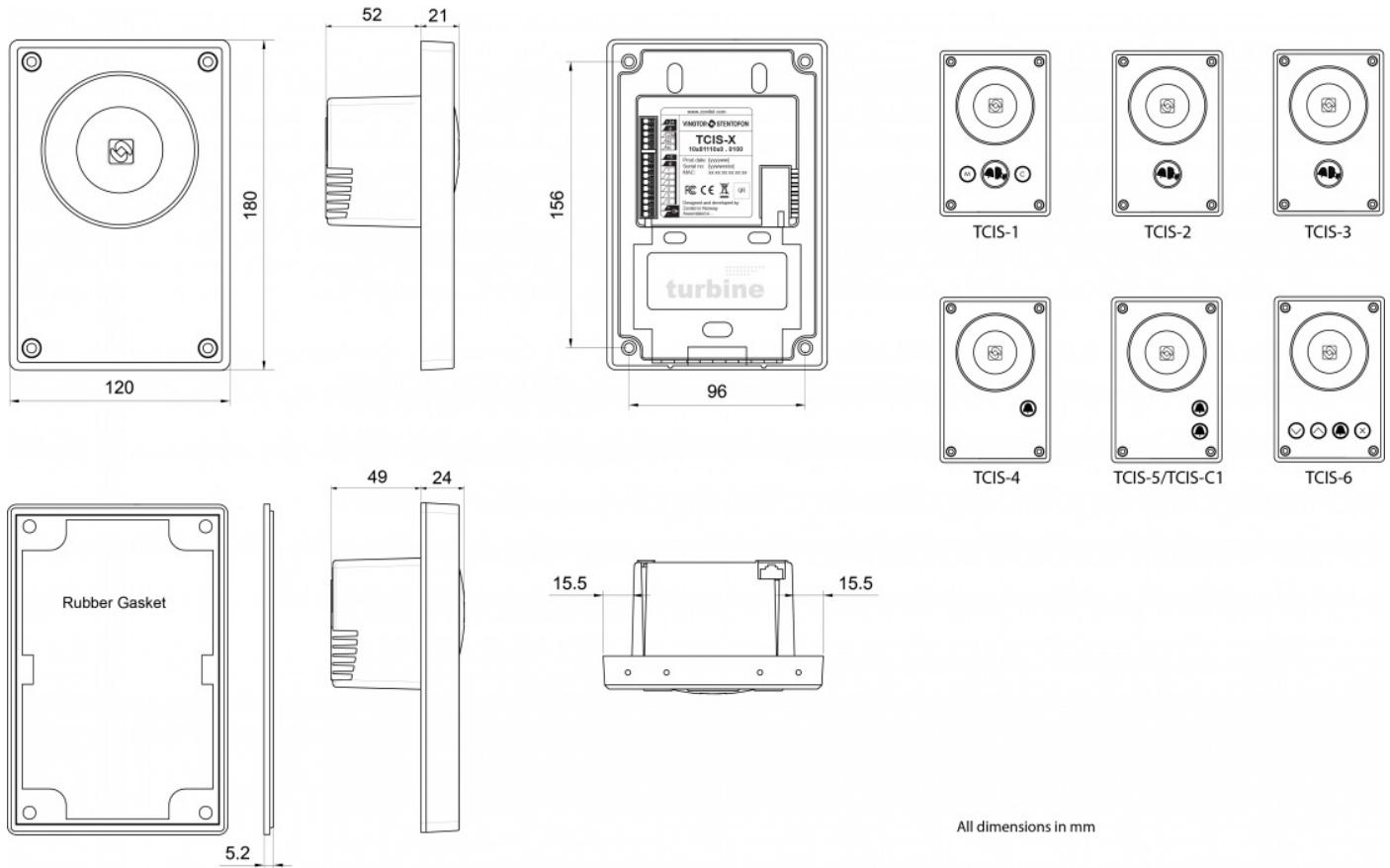
OTHER SPECIFICATIONS

| | |
|------------------------|-------------------------------------|
| IP address information | Speaks IP address after system boot |
|------------------------|-------------------------------------|

OTHER SPECIFICATIONS

Button lifetime > 1000 000 cycles

Country of manufacture Poland

TECHNICAL DIMENSIONS**ACCESSORIES****TA-1**

Item number: 1008140010

**TA-2**

Item number: 1008140020

**TA-5**

Item number: 1008140050

**TURBINE ADAPTER PLATE**

Item number: 1072160000

**TA-18**

Item number: 1008140180

**TA-14**

Item number: 1008140140

**TOUCHLESS SENSOR**

Item number: 2390020100

