

Cat 6A Coupler Kit

FEATURES

- Cat 6A rated, backwards compatible for Cat 5e and Cat 6 applications
- NFPA-70 Plenum rated
- T568A or T568B application
- UTP or shielded installations
- Cat 6A component rated
- Compatible with 22-26 AWG cables solid and stranded
- Termination does not require any proprietary tools
- Durable zinc alloy body

STANDARDS & REGULATIONS

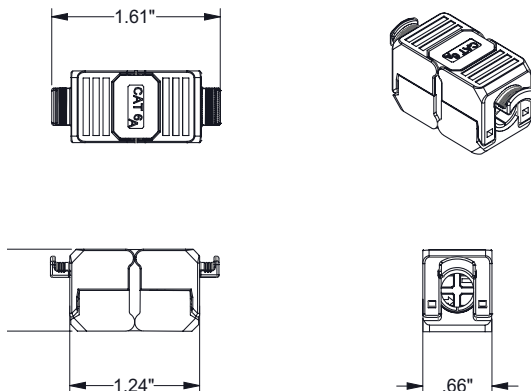
- ANSI/TIA-568.2-D Cat 6A
- ISO 11801 Class E_A
- ANSI/TIA-1096-A
- NFPA-70 CMP rated
- IEEE 802.3bt PoE Type 1 (15.4 Watts) formerly 802.3af, Type 2 (30 Watts) formerly 802.3at, Type 3 (60 Watts), Type 4 (90 Watts)
- Cisco UPoE (60 Watts), UPoE+ (90 Watts)
- Power over HDBaseT™ PoH (95 Watts)

MECHANICAL SPECIFICATIONS

Housing: Zinc Alloy

DESIGN CONSIDERATIONS

- Cable support needed within 12" of installed coupler to reduce stress
- Coupler is plenum rated for installation above a drop ceiling or in other air handling spaces
- Coupler can be used to connect a horizontal cable to a single-ended patch cord to create a Modular Plug Terminated Link (MPTL)
- Coupler can be utilized as a single cable consolidation point



CABLE COMPATIBILITY

Cable Type	Cable AWG	Compatible with Coupler
Solid	28	No
	26	Yes
	24	Yes
	22	Yes
Stranded	28	No
	26	Yes
	24	Yes
	22	Yes

DESCRIPTION FOR ORDERING

Cat 6A Coupler Kit