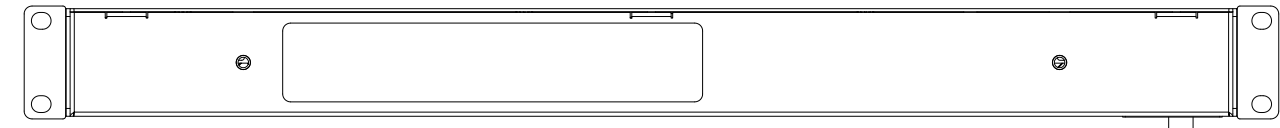


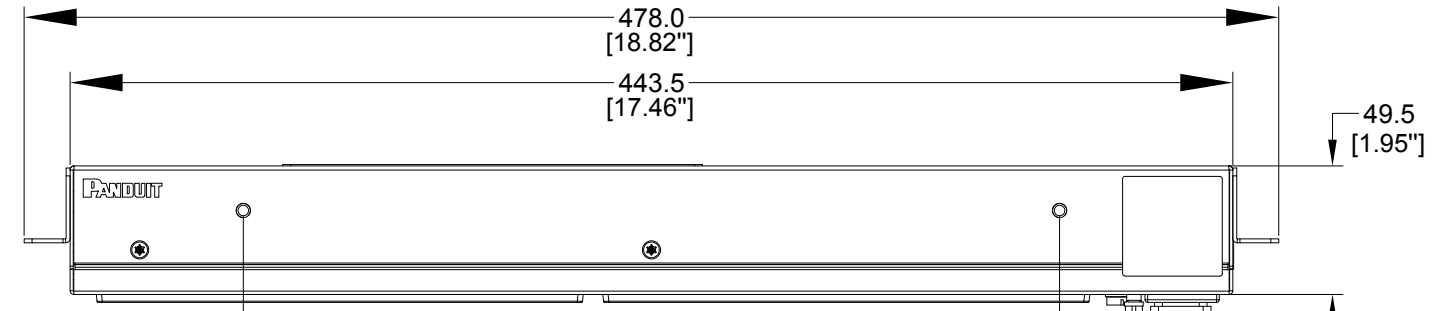
PANDUIT P/N	WEIGHT
P12B34M	1.0kg

NOTES:

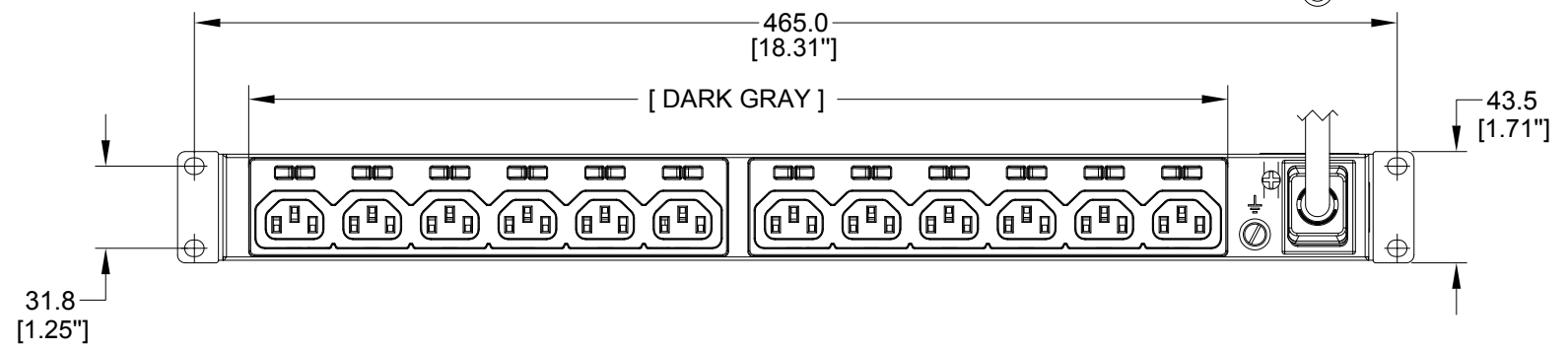
- IDENTIFICATION:
 - UNIT TYPE: BASIC
 - ORIENTATION: HORIZONTAL, 1U
 - OUTLET QTY&TYPE: (12) C13
 - BREAKER QTY&TYPE: N/A
 - INPUT VOLTAGE: 100-240V
 - INPUT CURRENT: 16A
 - INPUT PHASE: SINGLE-PHASE
 - RATED POWER: 3.7kVA
 - INPUT PLUG: IEC 60309 2P+E 6H 16A
 - INPUT CORD LENGTH: 3m [10']
- ACCESSORIES:
 - POCKET GUIDE
 - QTY: (4) M6 X 12 PAN HEAD MACHINE SCREWS
 - QTY: (4) M6 CAGED NUT
 - QTY: (2) BUTTONS
 - QTY: (2) M4 FINE THREAD SCREWS
- RoHS COMPLIANT
- VISIT PANDUIT'S ON-LINE CATALOG AT WWW.PANDUIT.COM FOR ADDITIONAL PRODUCT INFORMATION CONTAINED IN THE SPECIFICATION SHEET AS WELL AS A CURRENT LIST OF PRODUCTS APPLICABLE FOR USE WITH THIS PART
- MAXIMUM ALLOWABLE INPUT POWER = 3.7 kW
- INSTALLATION SHALL COMPLY WITH ALL APPLICABLE NATIONAL, STATE, AND LOCAL CODES



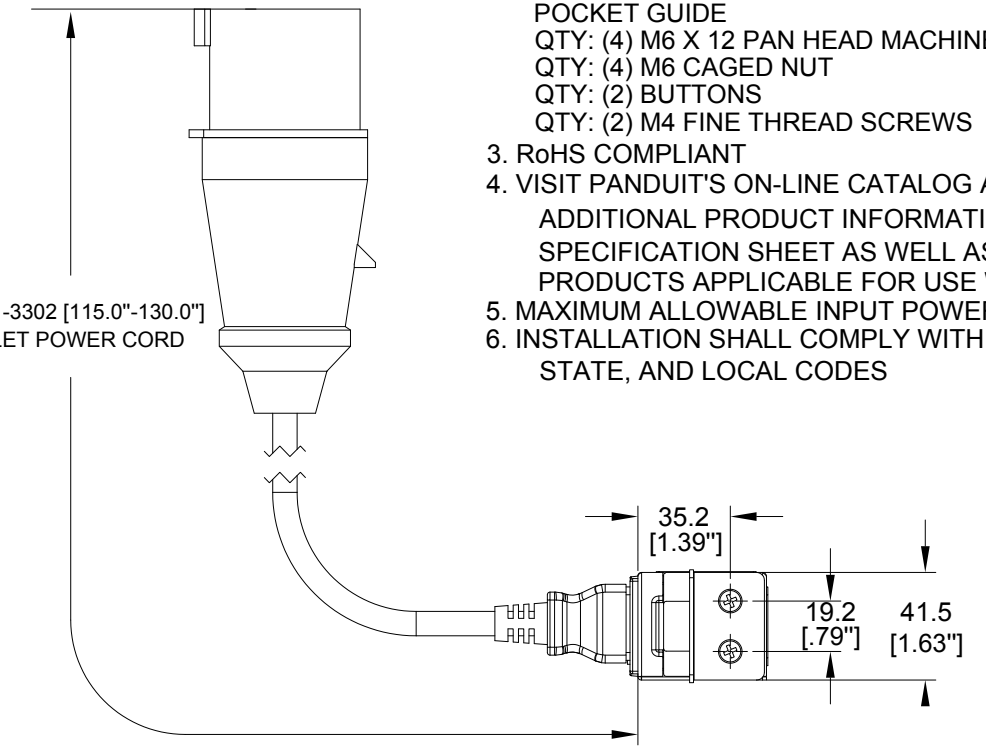
REAR VIEW



TOP VIEW



FRONT VIEW



SIDE VIEW

PLUG
16 AMP, 250V
2P/3W
IEC 60309,
SPLASHPROOF IP44
3H (S); 3R (W), 6H

TWELVE (12)
RECEPTACLES
10 AMP, 250V
STRAIGHT BLADE
IEC 60320/C13

REV	DATE	BY	CHK	APR	DESCRIPTION	ECN
01B	08/21/2017	JIANG	MIM	EDM	REVISED TOLERANCES	P12B34M
01A	06/28/2017	JIANG	MIM	EDM	INITIAL RELEASE	P12B34M

WE ASK THAT YOU CHECK FULLY THE DIMENSIONS, NOTES, AND SIGN THE CLIENT SIGNATURE BOX. THE JOB WILL NOT PROGRESS WITHOUT SIGNED APPROVAL. PLEASE DO NOT DELAY IN RETURNING PROOF AS IT WILL AFFECT DELIVERY

TITLE: BASIC SERIES PDU
P12B34M
CUSTOMER DRAWING

ITEM REVISION NAME: _____

DATASHEET FILE NAME: _____

UNLESS OTHERWISE SPECIFIED
DIMENSIONAL TOLERANCE ARE: mm [IN]

Tolerance(mm)	
0<L<50	±0.5
50<L<250	±1.0
250<L<500	±1.5
500<L<1000	±2.5
1000<L<2000	±4.0

THIRD ANGLE PROJECTION

MATERIAL/COLOR: N/A

DRAWING NUMBER: P12B34M_DC

DRAWN BY: JIANG DATE: 05/24/2017

CHK: SEAN

SCALE: NONE

SHT 1 OF 1

SCALE: B