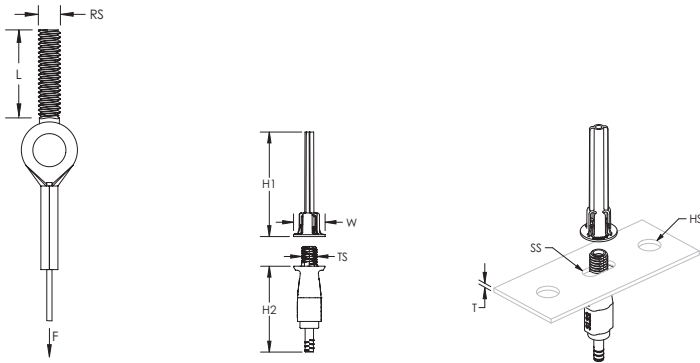


nVent CADDY Speed Link SLS with Threaded Stud End – SLS2L3SE250



- Complete system includes wire, locking device and pre-assembled threaded stud end fitting
- Attaches to structures with threaded anchors or devices with threaded hole
- Finger tightening of nut secures the locking device into position without tools
- Installs in strut profiles without the need to insert fingers or tools into the strut



Part Number	SLS2L3SE250
Material	Steel Polypropylene Zinc Alloy
Finish	Electrogalvanized
Static Load Safety Factor	5:1
Complies With	SMACNA HVAC-DCS
Wire Rope Diameter	2 mm
Wire Rope Length	9.9'
Rod Size (RS)	1/4"
Screw Length (L)	1"
Static Load (F)	60 lb
Thread Size (TS)	M8
Height 1 (H1)	2.1"
Height 2 (H2)	1.7"
Width (W)	0.63"
Thickness (T)	0.15" Max
Hole Size (HS)	0.31" – 0.38"
Slot Size (SS)	0.31" x 0.25" - 0.31" x 0.38"

Part Number	SLS2L3SE250
Certifications	cULus
Standard Packaging Quantity	10 pc
UPC	78285692708

The 2 mm locking device is compatible with C-Channel Types E0 and E0L.
Total load per wire on a multi-tier trapeze must not exceed static load.

UL, UR, cUL, cUR, cULus and cURus are registered certification marks of UL LLC.

WARNING

nVent products shall be installed and used only as indicated in nVent's product instruction sheets and training materials. Instruction sheets are available at www.erico.com and from your nVent customer service representative. Improper installation, misuse, misapplication or other failure to completely follow nVent's instructions and warnings may cause product malfunction, property damage, serious bodily injury and death and/or void your warranty.

© 2020 nVent All rights reserved

nVent, nVent CADDY, nVent ERICO, nVent ERIFLEX and nVent LENTON are owned by nVent or its global affiliates.

All other trademarks are the property of their respective owners. nVent reserves the right to change specifications without prior notice.

