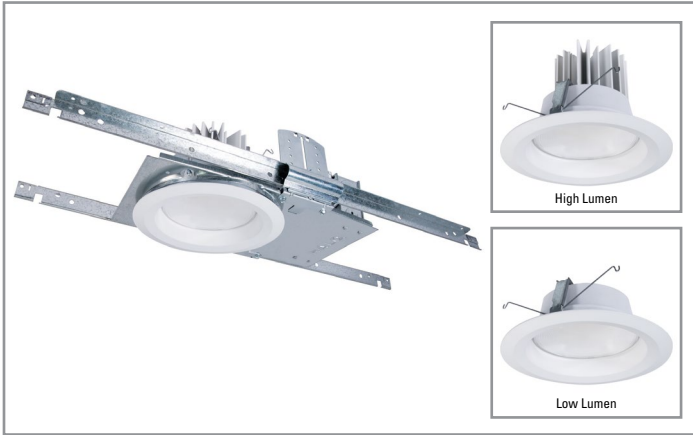


Project		Catalog #		Type	
Prepared by		Notes		Date	



# HALO Commercial

## PR6 | PR6M

6-inch LED self-flanged, lensed downlight and wall wash

### Typical Applications

Office • Healthcare • Hospitality • Institutional

### Interactive Menu

- Order Information page 2
- Product Specifications page 3
- Photometric Data page 4
- Energy & Performance Data page 6
- Product Warranty

### Product Certification



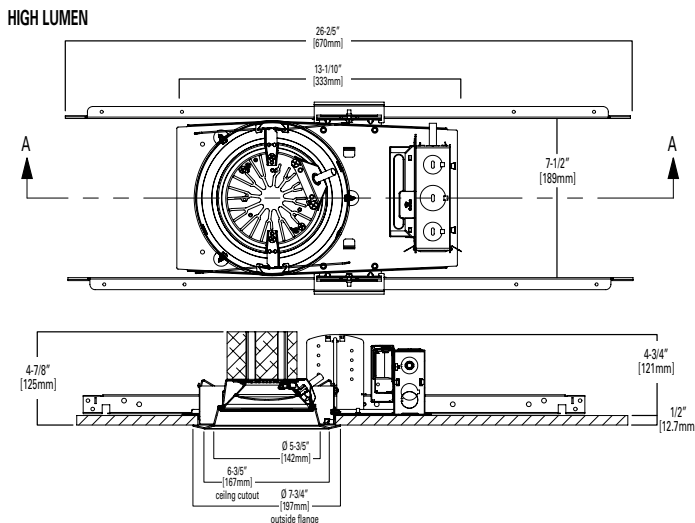
### Product Features



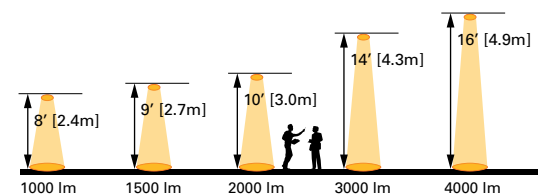
### Top Product Features

- Selectable lumens 1000/1500/2000 and 2000/3000/4000
- SeleCCTable color temperature 3000K/3500K/4000K
- Available in 80 CRI or 90 CRI
- Medium /Wide beam distribution lens option included
- Wall wash accessory kit

### Dimensional and Mounting Details




### Scale



Nominal values for 15 - 20 footcandles at nadir.

[additional product diagrams](#)

## Order Information

Icon Key:  Configurable Product

SAMPLE ORDER NUMBER: **PR6FS24D010REM7 – PR6M24MD8FSMW**

Mounting Frame	Lumens	Input / Control	Options	Accessories
----------------	--------	-----------------	---------	-------------

### Standard Driver 120-277VAC, 0-10V analog dimming

Mounting Frame	Lumens	Input / Control	Options	Accessories
<p><b>PR6</b> = 6" aperture new construction / remodeler housing frame</p> <p><b>PR6CP</b> = 6" aperture new construction / remodeler housing frame, CCEA Chicago Plenum rated</p>	<p><b>Field Selectable</b></p> <p><b>FS12</b> = field selectable 1000, 1500 and 2000 lumens (nominal), use with PR6M12* LED modules only</p> <p><b>FS24</b> = field selectable 2000, 3000 and 4000 lumens (nominal), use with PR6M24* LED modules only</p> <p><b>Discrete (fixed) Factory Set</b></p> <p><b>10</b> = 1000 lumens (nominal), use with PR6M12* LED modules only</p> <p><b>15</b> = 1500 lumens (nominal), use with PR6M12* LED modules only</p> <p><b>30</b> = 3000 lumens (nominal), use with PR6M24* LED modules only</p>	<p><b>D010</b> = 120-277VAC 50/60Hz, 0-10V analog, 1%-100% dimming</p>	<p><b>REM7</b> = integral 7 watt emergency battery pack with remote test / indicator light, use with D010 only <sup>(1)</sup></p> <p><b>REM14</b> = integral 14 watt emergency battery pack with remote test / indicator light, use with D010 only <sup>(1)</sup></p> <p><b>LWTPD1</b> = LumaWatt Pro factory installed wireless sensor kit, D010 only <sup>(1)</sup></p> <p><b>SWPD1</b> = WaveLinX factory installed w/ tile mount sensor, control module, and cable, D010 only <sup>(1)</sup></p>	<p><b>HB128APK</b> = L-channel "No Fuss" hanger bar, 26", pair (replacement)</p> <p><b>RMB22</b> = Adjustable wood joist mounting bars, pair, extend 22" long</p> <p><b>H347</b> = 347 to 120V step down transformer, 75VA</p> <p><b>H347200</b> = 347 to 120V step down transformer, 200VA</p> <p><b>PORLWTPD1</b> = LumaWatt Pro wireless sensor kit, field installed, D010 only <sup>(1)</sup></p> <p><b>TMSWPD1</b> = WaveLinX sensor kit, field installed, D010 only <sup>(1)</sup></p>
<b>Notes</b>	<b>Notes</b>	<b>Notes</b>	<b>Notes</b>	<b>Notes</b>
			(1) Not available for Chicago Plenum	(1) Not available for Chicago Plenum

Mounting Frame	Lumens	Input / Control	Options	Accessories
----------------	--------	-----------------	---------	-------------

### DLV Driver Distributed Low Voltage Power System

Mounting Frame	Lumens	Input / Control	Options	Accessories
<p><b>PR6</b> = 6" aperture new construction / remodeler housing frame <sup>(1)</sup></p>	<p><b>10</b> = 1000 lumens (nominal), use with PR6M12* LED modules only</p> <p><b>15</b> = 1500 lumens (nominal), use with PR6M12* LED modules only</p> <p><b>20</b> = 2000 lumens (nominal), use with PR6M12* LED modules or with PR6M24* LED modules</p> <p><b>30</b> = 3000 lumens (nominal), use with PR6M24* LED modules only</p> <p><b>40</b> = 4000 lumens (nominal), use with PR6M24* LED modules only</p>	<p><b>DLV</b> = distributed low voltage dimming driver (1%-100%)</p> <p>For use with Eaton's DLVP system. Refer to DLVP low-voltage power module and DLVP specifications for details. <sup>(1)</sup></p>	<p><b>REM7</b> = 7 watt emergency battery pack with remote test / indicator light, use with DLV only <sup>(1)(2)</sup></p> <p><b>REM14</b> = 14 watt emergency battery pack with remote test / indicator light, use with DLV only <sup>(1)(2)</sup></p>	<p><b>HB128APK</b> = L-channel "No Fuss" hanger bar, 26", pair (replacement)</p> <p><b>RMB22</b> = Adjustable wood joist mounting bars, pair, extend 22" long</p>
<b>Notes</b>	<b>Notes</b>	<b>Notes</b>	<b>Notes</b>	<b>Notes</b>
(1) Not available for Chicago Plenum		(1) Not available for Chicago Plenum	(1) Not available for Chicago Plenum (2) ULus for U.S. only	

LED Module	Lumen Range	Distribution	CRI / CCT	Finish	Accessories
------------	-------------	--------------	-----------	--------	-------------

LED Module	Lumen Range	Distribution	CRI / CCT	Finish	Accessories
<p><b>PR6M</b> = 6" aperture LED module and self-flanged reflector</p>	<p><b>12</b> = field selectable 1000, 1500 and 2000 lumens (nominal). Factory pre-set for 2000 lumens.</p> <p>Use with PR612*, PR610*, PR615*, PR620* mounting frames only.</p> <p><b>24</b> = field selectable 2000, 3000 and 4000 lumens (nominal).</p> <p>Factory pre-set for 4000 lumens.</p> <p>Use with PR624*, PR620*, PR630*, PR640* mounting frames only.</p>	<p><b>MD</b> = Medium distribution lens - factory installed (60°, 1.2 SC)</p> <p>Included: Wide distribution lens – field interchangeable option (65°, 1.3 SC)</p>	<p><b>Field Selectable</b></p> <p><b>8FS</b> = 80 CRI (minimum) with field selectable 3000K, 3500K and 4000K CCT (nominal). Factory pre-set for 3500K.</p> <p><b>9FS</b> = 90 CRI (minimum) with field selectable 3000K, 3500K and 4000K CCT (nominal). Factory pre-set for 3500K.</p> <p><b>Discrete (fixed) Factory Set</b></p> <p><b>827</b> = 80 CRI (minimum) 2700K</p> <p><b>927</b> = 90 CRI (minimum) 2700K</p> <p><b>850</b> = 80 CRI (minimum) 5000K</p> <p><b>950</b> = 90 CRI (minimum) 5000K</p>	<p><b>MW</b> = matte white ring/ self-flanged reflector</p> <p><b>MMS</b> = matte metallic silver ring/self-flanged reflector</p> <p><b>BZ</b> = bronze ring/self-flanged reflector</p>	<p><b>PR6WW</b> = 6" wall wash optic, field installed</p> <p><b>OT400P</b> = Oversize matte white trim ring 5-7/8" ID opening, 9-1/2" OD flange. Use when retrofitting up to 7-5/8" ceiling cutout of an existing housing.</p>
<b>Notes</b>	<b>Notes</b>	<b>Notes</b>	<b>Notes</b>	<b>Notes</b>	<b>Notes</b>

## Product Specifications

### Frame

- Boat shaped galvanized steel plaster frame with adjustable plaster lip accommodates 1/2" to 1-1/2" thick ceilings
- May be installed in new construction; or from below the ceiling in non-accessible ceilings in remodeling (with bar hanger brackets removed)
- Provided with (2) remodel clips to secure the frame to the ceiling
- No Fuss™ mounting bars pre-installed

### Universal Mounting Bracket

- Mounting bracket adjusts 2" vertically from above the ceiling or thru the aperture
- Use with No Fuss™ mounting bars (included) or with 1/2" EMT (by others)
- Removable for installation from below the ceiling in remodeling

### Mounting Bars

- Captive preinstalled No Fuss™ mounting bars lock to tee grid with screwdriver or pliers
- Centering mechanism allows for consistent positioning of fixtures

### LED Module

- Integrated self-flanged shallow reflector with multiple finish options
- Patented SeleCCTable™ color temperature technology and selectable lumen output for selection in the field
- Integrated dip switches for selectable color and lumen selection in the field
- Selectable CCT 3000K/3500K/4000K
- Selectable low and high lumen ranges:
  - Low Lumen: 1000lm, 1500lm, 2000m (nominal)
  - High Lumen: 2000lm, 3000lm, 4000lm (nominal)
- Discrete (fixed) lumen models in 1000lm, 1500lm, 3000lm (nominal); use to meet lighting power density codes
- Available in 80 CRI or 90 CRI (nominal) with color accuracy within 3 SDCM
- LED array uses a plurality of mid-power surface mount LEDs delivering high flux and excellent efficiency.
- Passive cooling achieves L70 at 50,000 hours
- Integral connector for quick link to the housing flex

### LED Module – Lens Optic

- Medium beam polymer lens pre-installed in LED module
- Wide beam polymer lens included as a field interchangeable option
- Optional field installed wall wash kit offers 360° rotation, allowing the housing to be installed in any orientation

### LED Module - Reflector

- Integrated self-flanged shallow reflector with LED array and lens
- Finish paint options: matte white, matte metallic silver, and dark bronze

### LED Module - Retention

- Module/reflector is securely retained in the housing with (2) torsion springs holding the flange tightly to the ceiling

### Driver

- Field replaceable constant current driver provides low noise operation
- UNV 120-277VAC 50/60Hz input standard
- Continuous flicker-free 0 -10V analog 1% dimming
- Optional "DLV" low voltage DC driver for use with Eaton DLVP distributed low voltage power system (see DLVP Design Guide / Brochure)

### Emergency Option

- Available with 7W or 14W emergency battery pack with remote test switch / charge indicator light
- Provides 90 minutes of standby lighting meeting most life safety codes for egress

### Connected Lighting System Options

- WaveLinX tile mount sensor with control module and cable
- LumaWatt Pro (powered by Enlighted) wireless tile mount sensor and control kit
- DLVP distributed low voltage power system – "DLV" driver option

### Junction Box

- Galvanized steel junction box
- 20in<sup>3</sup> internal volume excluding voltage barrier
- 25 in<sup>3</sup> internal total volume
- Voltage divider for 0-10V dimming wires [occupies (1) 1/2" pry-out space]
- Listed for (8) #12 AWG (four in, four out) 90° C conductors and feed-thru branch wiring
- (3) 1/2" and (2) 3/4" trade size pry-outs available
- (3) 4-port push wire nuts for mains voltage, with 1-port for fixture connection

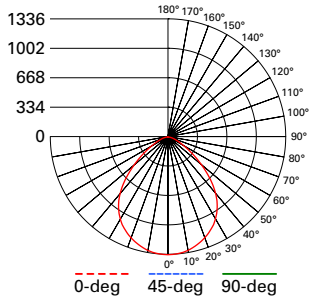
### Compliance

- cULus Listed; wet location listed in protected ceilings
- IP20 - Above finished ceiling; IP64 - Below finished ceiling
- Field selectable 1000/1500/2000 lm and 2000/3000/4000 lm models are Non-IC rated, insulation must be kept 3" from top and sides
- Fixed output 1000 and 1500 lm models are Type IC thermally protected and suitable for direct contact to air permeable insulation
- Not for use in direct contact with spray foam insulation, consult NEMA LSD57-2013
- Airtight per ASTM-E283-04
- Suitable for use in clothes closets when installed in accordance of the NEC 410.16 spacing requirements
- EMI/RFI emissions FCC CFRTitle 47 Part 15 Class A at 120/277V
- Contains no mercury or lead and RoHS compliant
- Photometric testing in accordance of IES LM-79-08
- Lumen maintenance projections per IES LM-80-08 and TM-21-11
- Field selectable 1000/1500/2000lm and 2000/3000/4000lm models may be used for California Title 24 non-residential compliance, as a dimmable LED luminaire
- Fixed output 1000lm and 1500lm 90 CRI, Type IC models may also be used for California Title 24 Residential compliance
- ENERGY STAR® certified, see Certified Light Fixtures database

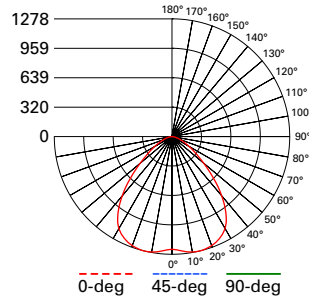
### Warranty

- Five year limited warranty, consult website for details. [www.eaton.com/lighting/legal](http://www.eaton.com/lighting/legal)

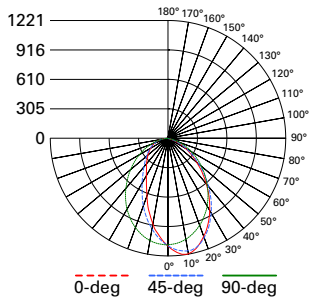
## Photometric Data



**PR6FS12D010 - PR6M12MD8FSMW**  
 Low lumen module, 2000 lumen, medium lens  
 Spacing criterion: (II) 1.2 x  
 Lumens: 2703  
 Input Watts: 20.4 W  
 Efficacy: 132.5 LPW  
 UGR: 21  
 Test Report: PR6FS12D010 PR6M12MD8FSMW 2000Lm3500K.ies



**PR6FS12D010 - PR6M12MD8FSMW**  
 Low lumen module, 2000 lumen, wide lens  
 Spacing criterion: (II) 1.33 x  
 Lumens: 2674  
 Input Watts: 20.4 W  
 Efficacy: 131.1 LPW  
 UGR: 21  
 Test Report: PR6FS12D010 PR6M12WD8FSMW 2000Lm3500K.ies



**PR6FS12D010 - PR6M12MD8FSMW - PR6WW**  
 Low lumen module - wall wash, 2000 lumen, wall wash accessory  
 Spacing criterion: (II) 1.13 x  
 Lumens: 2079  
 Input Watts: 20.4 W  
 Efficacy: 101.9 LPW  
 UGR: 19  
 Test Report: PR6FS12D010 PR6M12WW8FSMW 2000Lm3500K.ies

### SINGLE UNIT FOOTCANDLES

**2.5' from wall** (distance from fixture along wall)

1	17.2	12.6	6.1	2.6	1.1	0.5	0.2
2	30.4	24.2	13.7	6.8	3.4	1.7	0.9
3	27.5	23.4	15.3	8.7	4.8	2.7	1.5
4	20	17.9	13.2	8.5	5.2	3.1	1.9
5	13.8	12.8	10.2	7.2	4.8	3.2	2.1
6	9.6	9	7.6	5.8	4.2	2.9	2
7	6.7	6.4	5.6	4.6	3.5	2.6	1.9
8	4.9	4.7	4.2	3.6	2.9	2.2	1.7
9	3.6	3.5	3.2	2.8	2.3	1.9	1.5
10	2.7	2.7	2.5	2.2	1.9	1.6	1.3

### MULTIPLE UNIT FOOTCANDLES

**2.5' from wall** (distance from fixture along wall)

3

**2.5' from wall** (distance from fixture along wall)

4

1	19.8	18.2	19.8	18.3	12.2	18.3
2	37.2	37.9	37.2	33.7	27.4	33.7
3	36.2	38.9	36.2	32.3	30.6	32.3
4	28.5	31.4	28.5	25.2	26.3	25.2
5	21.1	23.2	21.1	18.7	20.3	18.7
6	15.4	16.7	15.4	13.8	15.2	13.8
7	11.3	12.2	11.3	10.2	11.3	10.2
8	8.4	9	8.4	7.7	8.4	7.7
9	6.4	6.7	6.4	5.9	6.4	5.9
10	4.9	5.1	4.9	4.6	4.9	4.6

### Photometric Multipliers - Selectable lumen 1000lm - 1500lm - 2000lm

1000 Lumen	1500 Lumen	2000 Lumen
0.51	0.65	1.00

Multipliers for nominal values with other series models

### Color Finish Multipliers

Finish code	MW	MMS	BZ
Finish	Matte White	Matte Metallic Silver	Bronze
Multiplier	1.00	0.93	0.88

Multipliers for nominal values with other series models

### CCT Multipliers - 80CRI - Selectable CCT 3000K - 3500K - 4000K

3000K	3500K	4000K
0.88	1.00	0.96

Multipliers for nominal values with other series models

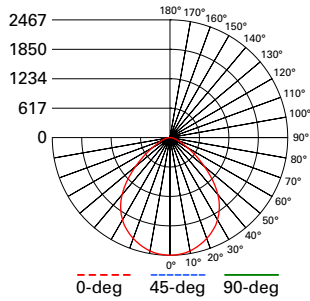
### CCT Multipliers - 90CRI - Selectable CCT 3000K - 3500K - 4000K

3000K	3500K	4000K
0.76	0.76	0.74

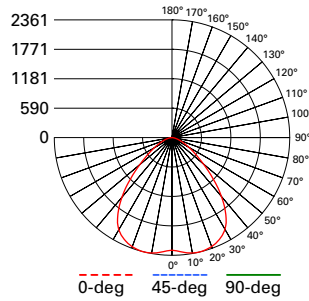
Multipliers for nominal values with other series models

Note: Refer to IES files for more product data.

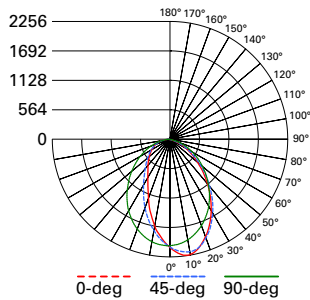
## Photometric Data



**PR6FS24D010 - PR6M24MD8FSMW**  
 High lumen module, 4000 lumen, medium lens  
 Spacing criterion: (II) 1.2 x  
 Lumens: 4993  
 Input Watts: 39 W  
 Efficacy: 128 LPW  
 UGR: 23  
 Test Report: PR6FS24D010 PR6M24MD8FSMW 4000Lm3500K.ies



**PR6FS24D010 - PR6M24WD8FSMW**  
 High lumen module, 4000 lumen, wide lens  
 Spacing criterion: (II) 1.33 x  
 Lumens: 4940  
 Input Watts: 39 W  
 Efficacy: 126.7 LPW  
 UGR: 23  
 Test Report: PR6FS24D010 PR6M24WD8FSMW 4000Lm3500K.ies



**PR6FS24D010 - PR6M24MD8FSMW - PR6WW**  
 High lumen module - wall wash, 2000 lumen, wall wash accessory  
 Spacing criterion: (II) 1.13 x  
 Lumens: 3841  
 Input Watts: 39 W  
 Efficacy: 98.5 LPW  
 UGR: 21  
 Test Report: PR6FS24D010 PR6M24WW8FSMW 4000Lm3500K.ies

### SINGLE UNIT FOOTCANDLES

**2.5' from wall** (distance from fixture along wall)

1	31.7	23.3	11.3	4.8	2	0.9	0.4
2	56.1	44.8	25.3	12.6	6.2	3.1	1.6
3	50.7	43.2	28.3	16.1	8.9	4.9	2.8
4	37	33.1	24.3	15.7	9.6	5.8	3.5
5	25.6	23.6	18.8	13.4	9	5.9	3.8
6	17.7	16.6	14	10.8	7.8	5.4	3.8
7	12.4	11.9	10.4	8.4	6.5	4.8	3.5
8	9	8.7	7.8	6.6	5.3	4.1	3.1
9	6.7	6.4	5.9	5.1	4.3	3.5	2.7
10	5	4.9	4.6	4	3.5	2.9	2.4

### MULTIPLE UNIT FOOTCANDLES

**2.5' from wall** (distance from fixture along wall)

3

**2.5' from wall** (distance from fixture along wall)

4

1	36.5	33.6	36.5	33.7	22.5	33.7
2	68.8	70	68.8	62.3	50.7	62.3
3	66.9	71.8	66.9	59.6	56.6	59.6
4	52.7	58	52.7	46.6	48.6	46.6
5	39	42.8	39	34.5	37.6	34.5
6	28.4	30.9	28.4	25.5	28	25.5
7	20.8	22.5	20.8	18.9	20.8	18.9
8	15.6	16.6	15.6	14.3	15.6	14.3
9	11.8	12.4	11.8	10.9	11.8	10.9
10	9.1	9.5	9.1	8.5	9.1	8.5

### Photometric Multipliers - Selectable lumen 2000lm-3000lm-4000lm

2000 Lumen	3000 Lumen	4000 Lumen
0.54	0.69	1.00

Multipliers for nominal values with other series models

### Color Finish Multipliers

Finish code	MW	MMS	BZ
Finish	Matte White	Matte Metallic Silver	Bronze
Multiplier	1.00	0.93	0.88

Multipliers for nominal values with other series models

### CCT Multipliers - 80CRI - Selectable CCT 3000K - 3500K - 4000K

3000K	3500K	4000K
0.89	1.00	0.95

Multipliers for nominal values with other series models

### CCT Multipliers - 90CRI - Selectable CCT 3000K - 3500K - 4000K

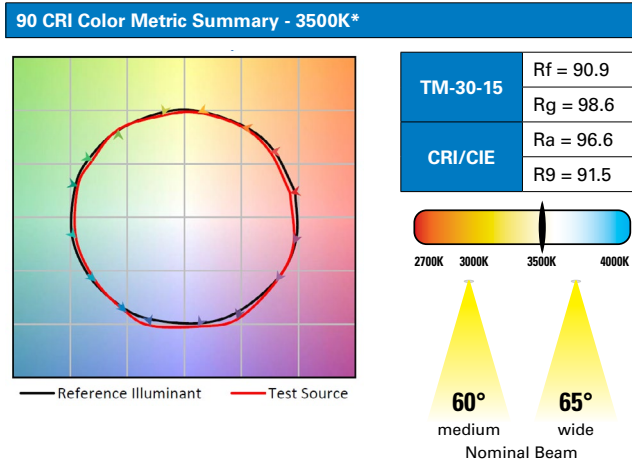
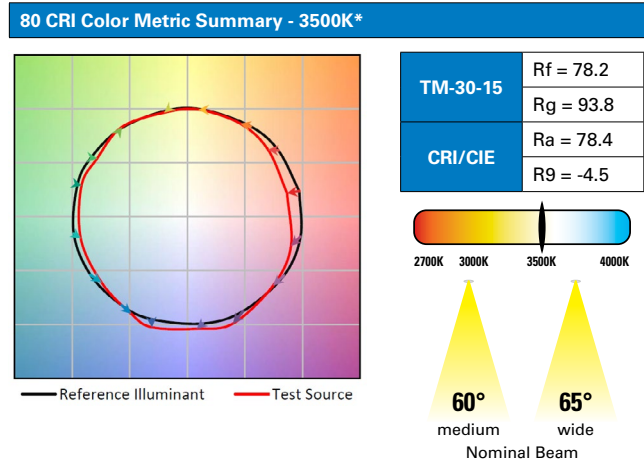
3000K	3500K	4000K
0.77	0.83	0.75

Multipliers for nominal values with other series models

Note: Refer to IES files for more product data.

## Energy and Performance Data

### COLOR METRICS - TM-30-15 & CRI/CIE (3500K)



### PR6FS12 LED MODULE LOW LUMEN RANGE

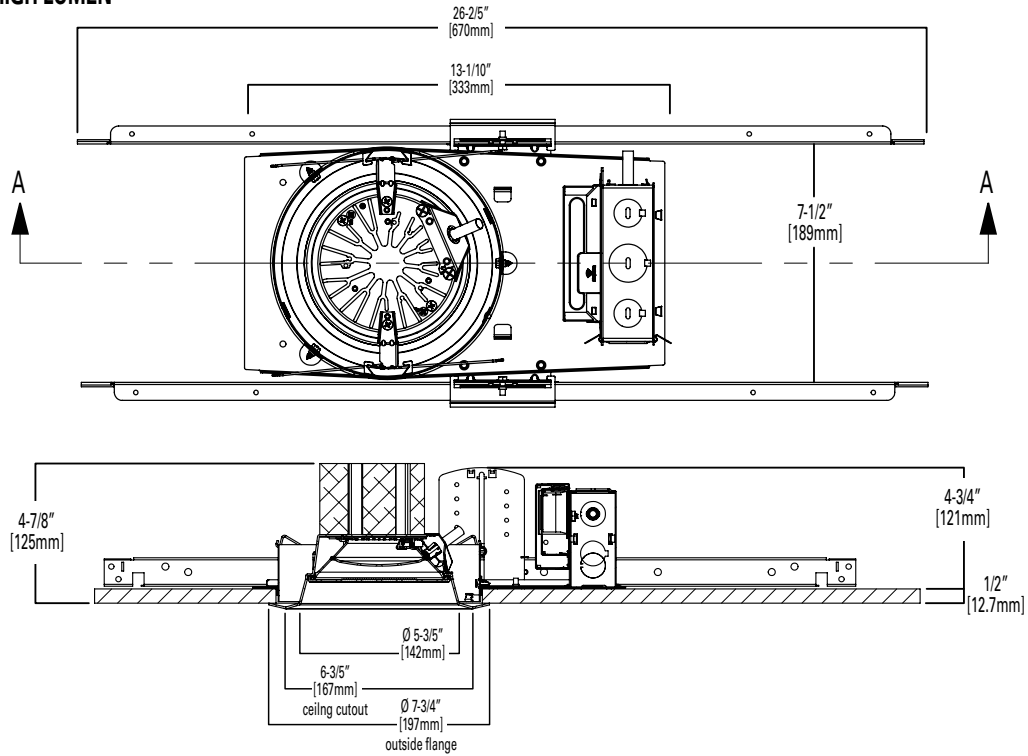
Series	1000 lumen		Series	1500 lumen		Series	2000 lumen	
Input Voltage 120-277VAC	120V	277V	Input Voltage 120-277VAC	120V	277V	Input Voltage 120-277VAC	120V	277V
Input Current (A)	0.089	0.043	Input Current (A)	0.112	0.052	Input Current (A)	0.178	0.079
Input Power (W)	10.5	11	Input Power (W)	13.4	13.8	Input Power (W)	21.3	21.4
In-rush (A)	8.9	22.2	In-rush (A)	9.9	24.8	In-rush (A)	8	19.1
In-rush Duration (ms)	0.145	0.118	In-rush Duration (ms)	0.198	0.107	In-rush Duration (ms)	0.185	0.133
THD (%)	<15.1	<16.7	THD (%)	<13.3	<15.5	THD (%)	<8.2	<10.6
PF	≥ 0.98	≥ 0.92	PF	≥ 0.98	≥ 0.94	PF	≥ 0.99	≥ 0.97
Minimum starting temperature -20°C (-4°F)			Minimum starting temperature -20°C (-4°F)			Minimum starting temperature -20°C (-4°F)		
Sound Rating: Class A standards			Sound Rating: Class A standards			Sound Rating: Class A standards		

### PR6FS24 LED MODULE HIGH LUMEN RANGE

Series	2000 lumen		Series	3000 lumen		Series	4000 lumen	
Input Voltage 120-277VAC	120V	277V	Input Voltage 120-277VAC	120V	277V	Input Voltage 120-277VAC	120V	277V
Input Current (A)	0.176	0.081	Input Current (A)	0.225	0.101	Input Current (A)	0.332	0.145
Input Power (W)	21	21.2	Input Power (W)	26.9	27	Input Power (W)	39.8	39.4
In-rush (A)	15.3	32.1	In-rush (A)	11.6	27.9	In-rush (A)	12.8	27.5
In-rush Duration (ms)	0.237	0.12	In-rush Duration (ms)	0.187	0.081	In-rush Duration (ms)	0.211	0.107
THD (%)	<11	<13.6	THD (%)	<9.05	<11.8	THD (%)	<5.9	<8.8
PF	≥ 0.99	≥ 0.94	PF	≥ 0.99	≥ 0.96	PF	≥ 0.99	≥ 0.98
Minimum starting temperature -20°C (-4°F)			Minimum starting temperature -20°C (-4°F)			Minimum starting temperature -20°C (-4°F)		
Sound Rating: Class A standards			Sound Rating: Class A standards			Sound Rating: Class A standards		

## Dimensional Details

### HIGH LUMEN



### LOW LUMEN

