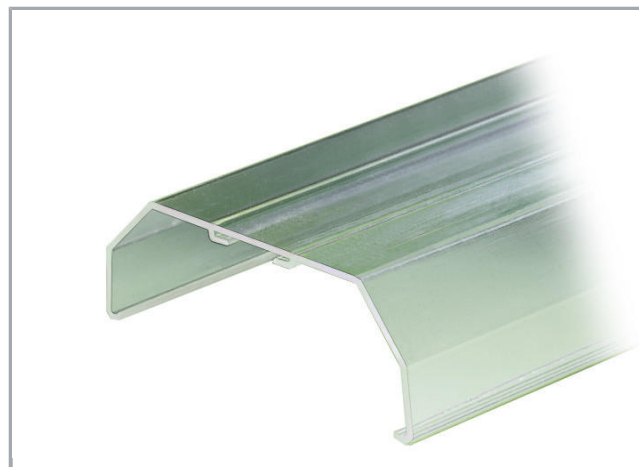


Data sheet | Item number: 709-153

Cover; Type 1; suitable for cover carrier, type 1; 1 m long; transparent

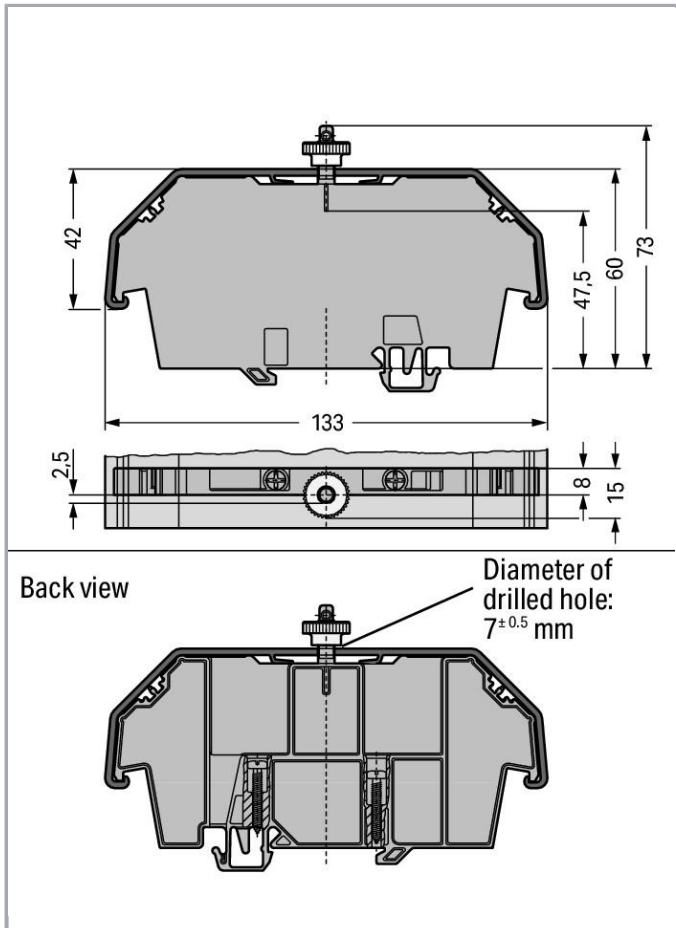
[www.wago.com/709-153](http://www.wago.com/709-153)



Subject to changes. Please also observe the further product documentation!

WAGO Kontakttechnik GmbH & Co. KG  
Hansastr. 27  
32423 Minden  
Phone: +49571 887-0 | Fax: +49571 887-169  
Email: [info.de@wago.com](mailto:info.de@wago.com) | Web: [www.wago.com](http://www.wago.com)

Do you have any questions about our products?  
We are always happy to take your call at +49 (571) 887-44222.



## Data

### Technical Data

Main product function

Mounting Accessories

### Geometrical Data

|        |                      |
|--------|----------------------|
| Width  | 1000 mm / 39.37 inch |
| Height | 42 mm / 1.654 inch   |
| Depth  | 133 mm / 5.236 inch  |

### Material Data

|           |             |
|-----------|-------------|
| Color     | transparent |
| Fire load | 14.49 MJ    |
| Weight    | 503 g       |

Subject to changes. Please also observe the further product documentation!

## Commercial data

|                       |                                |
|-----------------------|--------------------------------|
| Product Group         | 2 (Terminal Block Accessories) |
| Packaging type        | BOX                            |
| Country of origin     | DE                             |
| GTIN                  | 4017332361446                  |
| Customs tariff number | 39169010900                    |

## Counterpart

## Compatible products


### Marking accessories

|  |  |  |
|--|--|--|
|  | <b>Item no.: 709-183</b><br>Marking strips; for laser printer; white | <a href="http://www.wago.com/709-183">www.wago.com/709-183</a> |
|--|--|--|

### assembling

|  |   |  |
|--|---|--|
|  | <b>Item no.: 209-196</b><br>Spare fixing/retaining screw; for cover | <a href="http://www.wago.com/209-196">www.wago.com/209-196</a> |
|--|---|--|

|   |  |  |
|---|--|--|
|  | <b>Item no.: 210-549</b><br>Spare knurled nut; for cover | <a href="http://www.wago.com/210-549">www.wago.com/210-549</a> |
|---|--|--|

|  |  |  |
|--|--|--|
|  | <b>Item no.: 709-167</b><br>Cover carrier; Type 1; incl. fixing/retaining screws and knurled nut; suitable for 279 to 282 and 880 Series rail-mounted terminal blocks; suitable for 264 Series miniature rail-mounted terminal blocks; suitable for 270 Series sensor and actuator terminal blocks; gray | <a href="http://www.wago.com/709-167">www.wago.com/709-167</a> |
|--|--|--|

## Downloads

### Documentation

#### Bid Text

|                             |              |                |          |
|-----------------------------|--------------|----------------|----------|
| 709-153<br>GAEB X81 - Datei | Feb 19, 2019 | xml<br>2.6 kB  | Download |
| 709-153<br>doc - Datei      | Aug 31, 2017 | doc<br>24.1 kB | Download |

## CAD/CAE-Data

### CAD data

Subject to changes. Please also observe the further product documentation!

2D/3D Models 709-153

[URL](#)

[Download](#)

#### CAE data

EPLAN Data Portal 709-153

[URL](#)

[Download](#)

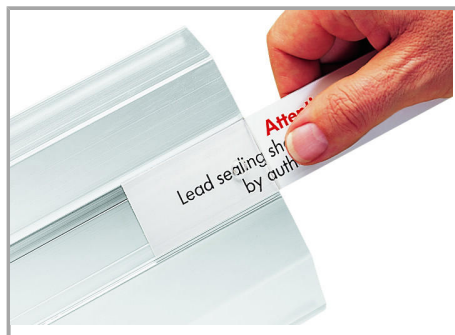
WSCAD Universe 709-153

[URL](#)

[Download](#)

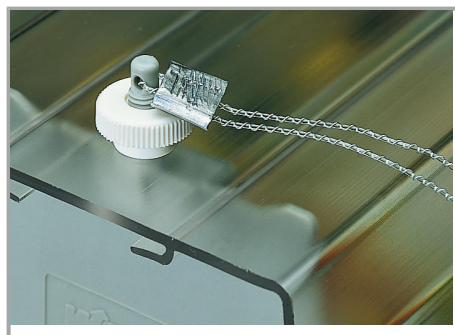
## Installation Notes

### Marking



Inserting a marking strip into the cover.

### Safety



Cover with lead seals:

Using covers without lead seals, the thread dome-head can be broken off.

Subject to changes. Please also observe the further product documentation!