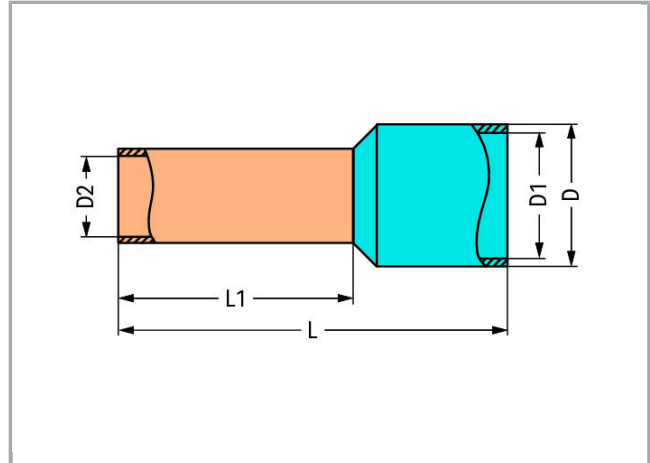


Data sheet | Item number: 216-201

Ferrule; Sleeve for 0.5 mm² / 20 AWG; insulated; electro-tin plated; white

www.wago.com/216-201



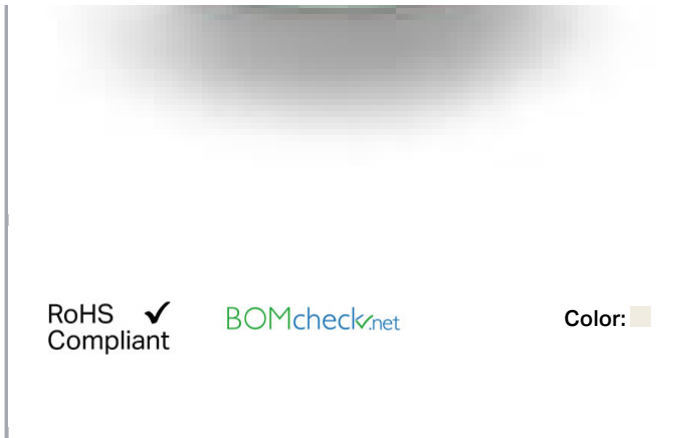
Subject to changes. Please also observe the further product documentation!

WAGO Kontakttechnik GmbH & Co. KG
Hansastr. 27
32423 Minden
Phone: +49571 887-0 | Fax: +49571 887-169
Email: info.de@wago.com | Web: www.wago.com

Do you have any questions about our products?
We are always happy to take your call at +49 (571) 887-44222.



Subject to changes. Please also observe the further product documentation!



Data

Technical Data

Main product function	Ferrule
Sleeve cross-section (AWG)	20 AWG
Sleeve for	0.5 mm ²

Connection data

Strip length	9 mm / 0.35 inch
--------------	------------------

Geometrical Data

Length	14 mm
Length	14 mm
Length 1	8 mm
Diameter	3.1 mm
Diameter	3.1 mm
Diameter 1	2.6 mm
Diameter 2	1 mm

Material Data

Color	white
Fire load	0.001 MJ
Weight	0.1 g

Commercial data

Product Group	2 (Terminal Block Accessories)
---------------	--------------------------------

Subject to changes. Please also observe the further product documentation!

Packaging type	BOX
Country of origin	DE
GTIN	4017332277433
Customs tariff number	85369010000

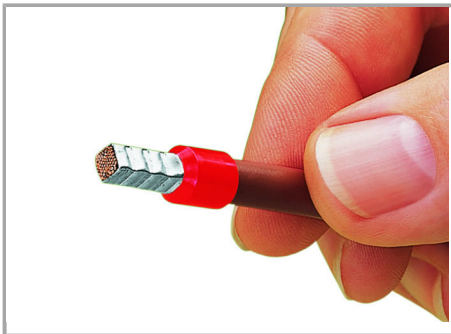
Counterpart

Downloads Documentation

Bid Text

216-201 doc - Datei	Sep 11, 2017	doc 24.1 kB	Download
216-201 GAEB X81 - Datei	Feb 19, 2019	xml 2.9 kB	Download

Installation Notes



A perfect gas-tight crimp – both electrically and mechanically reliable

Subject to changes. Please also observe the further product documentation!