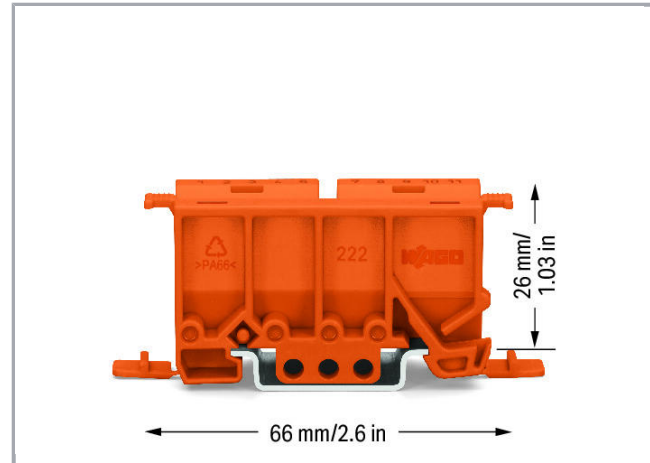
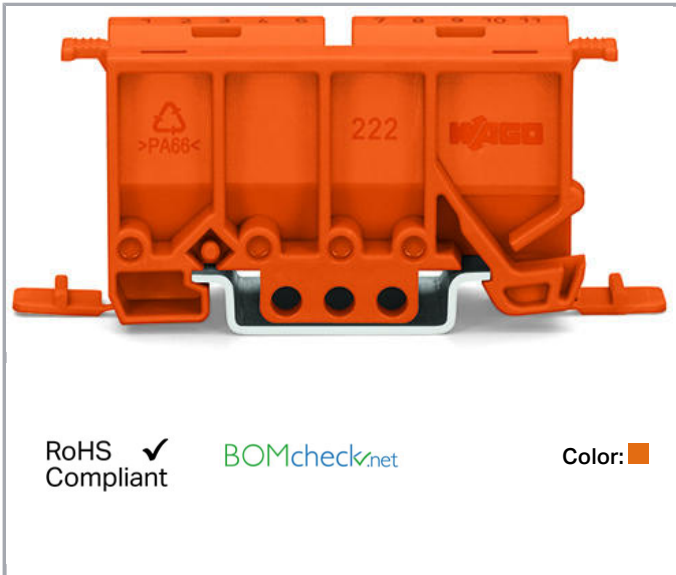


Data sheet | Item number: 222-500

Mounting carrier; 222 Series; for DIN-35 rail mounting/screw mounting;
orange



www.wago.com/222-500



Data

Geometrical Data

Width	22 mm / 0.866 inch
Height from upper-edge of DIN-rail	26 mm / 1.024 inch
Depth	66 mm / 2.598 inch

Subject to changes. Please also observe the further product documentation!

WAGO Kontakttechnik GmbH & Co. KG
Hansastr. 27
32423 Minden
Phone: +49571 887-0 | Fax: +49571 887-169
Email: info.de@wago.com | Web: www.wago.com

Do you have any questions about our products?
We are always happy to take your call at +49 (571) 887-44222.

Mechanical data

Mounting type	DIN-35 rail Screw mount
Suitable	für 2-, 3-, 5-Leiter-Ex-Verbindungsklemmen (6 mm ²) der Serie 221

Material Data

Color	orange
Fire load	0.326 MJ
Weight	10.9 g

Commercial data

Product Group	7 (Push Wire Conn.)
Packaging type	BOX
Country of origin	CN
GTIN	4045454714765
Customs tariff number	39269097900

Counterpart

Compatible products

Marking accessories



Item no.: 210-834
Marking strips; on reel; 5 mm wide; plain; Self-adhesive; white

www.wago.com/210-834

Mounting adapter



Item no.: 222-505
Strain relief plate; for mounting carrier; 221 or 222 Series, can be snapped

www.wago.com/222-505



Item no.: 222-510
Angled DIN-rail adapter; in combination with mounting carrier; 221-500 or 222-500; for DIN-35 rail mounting; gray

www.wago.com/222-510

Downloads

Documentation

Bid Text

222-500

Subject to changes. Please also observe the further product documentation!

doc - Datei	May 19, 2017	doc 24.1 kB	Download
222-500 GAEB X81 - Datei	Feb 19, 2019	xml 2.8 kB	Download

CAD/CAE-Data

CAD data

2D/3D Models 222-500	URL	Download
----------------------	-----	----------

CAE data

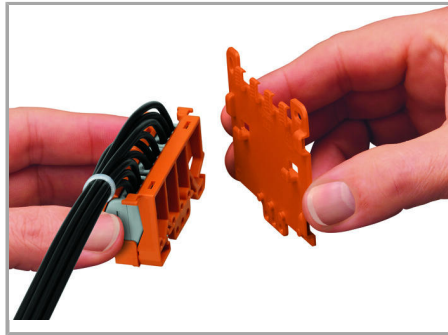
EPLAN Data Portal 222-500	URL	Download
---------------------------	-----	----------

WSCAD Universe 222-500	URL	Download
------------------------	-----	----------

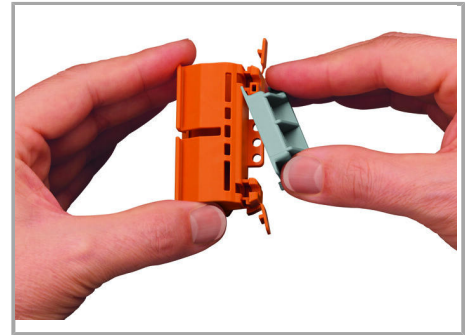
Installation Notes



Snapping the lateral connector safety lock onto the mounting carrier.

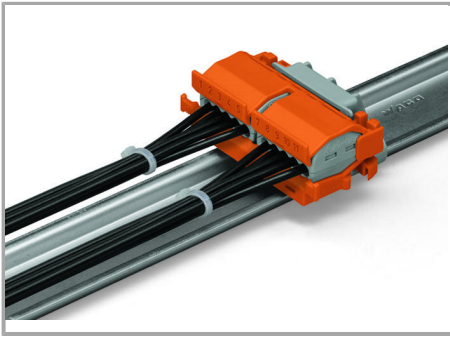


Securing a strain relief plate (222-505) to the mounting carrier.

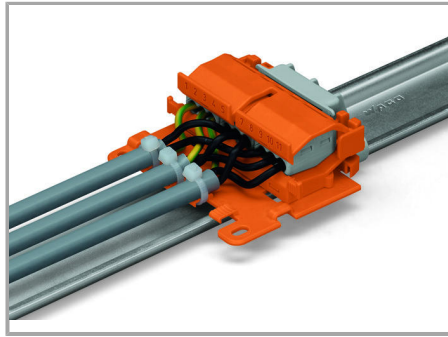


Snapping the angled DIN-rail adapter (222-510) onto the mounting carrier.

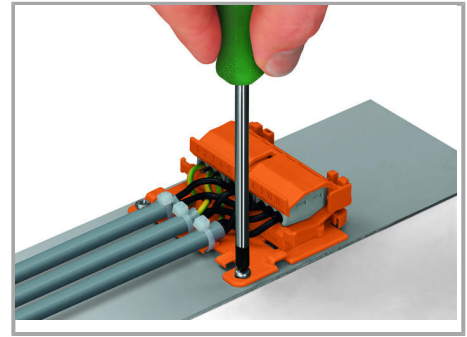
Subject to changes. Please also observe the further product documentation!



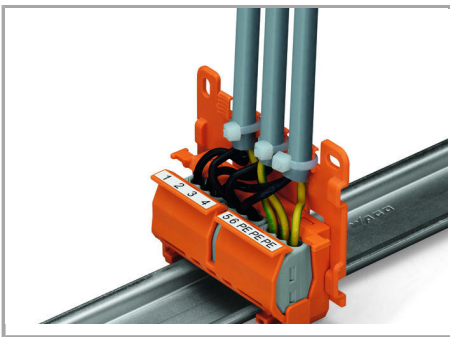
Horizontal mounting on DIN-35 rail using an angled DIN-rail adapter.



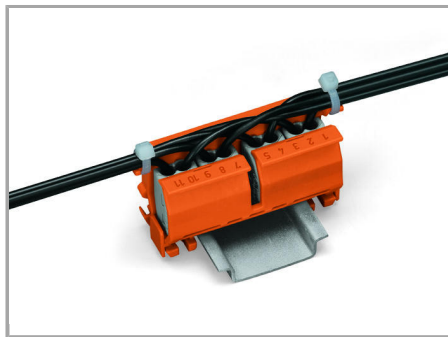
Horizontal mounting on DIN-35 rail using an angled DIN-rail adapter



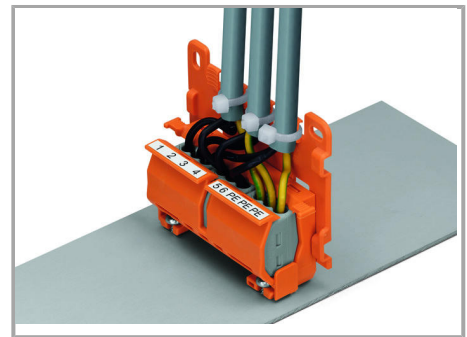
Horizontal screw mounting with strain relief plate on a flat surface



Vertical mounting with strain relief plate on DIN-35 rail;
Marking clamping units via marking strips.



Strain relief via cable ties on the mounting carrier (transverse to the connectors' wiring direction);
Molded marking clamping units



Mounting carrier with strain relief plate mounted vertically on a plate;
Round cable secured via strain relief lug.

Subject to changes. Please also observe the further product documentation!