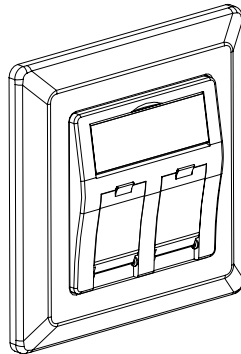
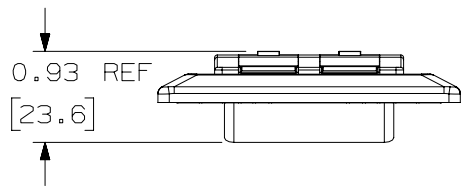
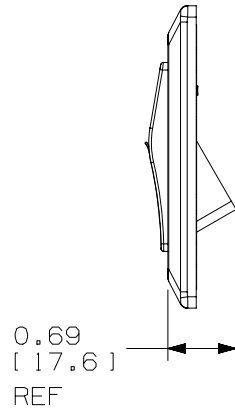
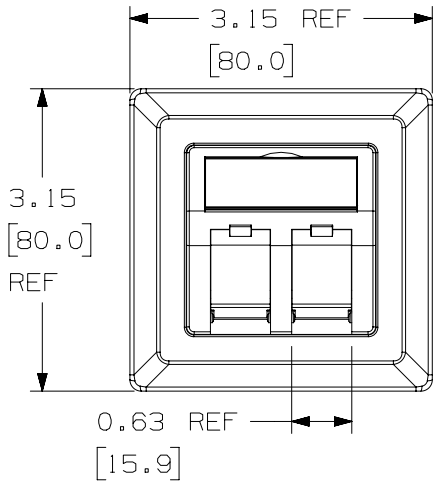


THIS COPY IS PROVIDED ON A RESTRICTED BASIS AND IS NOT TO BE USED IN ANY WAY DETRIMENTAL TO THE INTERESTS OF PANDUIT CORP.



NOTES:

1. VISIT OUR ON-LINE CATALOG AT WWW.PANDUIT.COM FOR A LIST OF CURRENT PARTS APPLICABLE FOR USE WITH THIS PRODUCT.
2. DIMENSIONS IN [] ARE METRIC.
3. PART INCLUDES WITH MATERIAL:
 - A. IDENTIFICATION:
 - I. I.D. PLATE: PVC, TRANSPARENT COLOR, QTY.: 1
 - II. PAPER, QTY.: 4
 - III. FRAME, ABS, UL 94-HB, QTY.: 1
 - B. FLUSH PLATE: ABS, UL 94-HB, QTY.: 1
 - C. SHIELD: ZINC DIE-CASTING, QTY.: 1
4. PLASTIC COMPONENTS WITH THE EXCEPTION OF THE I.D. PLATE IS IN THE COLOR WHITE.
5. PARTS ARE COMPLETELY ASSEMBLED.
6. WEIGHT: .17 LBS/1PC [76.4g /1PC]
7. ALL MATERIALS AND COMPONENTS USED MEET THE MATERIAL RESTRICTIONS OF RoHs, (EUROPEAN DIRECTIVE 2011/65/EU ON THE RESTRICTION OF HAZARDOUS SUBSTANCES) AS PROPOSED BY THE RoHs TECHNICAL ADAPTATION COMMITTEE.

PART NUMBER		KFPL80S2SWH		
TITLE		KEYSTONE 2 POSITION 80mm X 80mm FLUSH FACEPLATE FRAME		
ITEM REVISION NAME		CUSTOMER DRAWING		
DATASET FILE NAME		00326EAE/01		
MATERIAL		00326EAE_DC/01A		
DRAWING NUMBER		00326EAE - DC		
THIRD ANGLE PROJECTION				
SEE NOTE 3				
DRAWN BY	DATE	CHK	SCALE	
BJN	9-14-18	DCS	1:2	
SHEET 1 OF 1		A		

01A	9-14-18	BJN	DCS	RWI	RELEASED TO PRODUCTION	00326EAE-DC
REV	DATE	BY	CHK	APR	DESCRIPTION	ECN

A-SIZE CUSTOMER

2

1

2

1