

HDS-OWK-300



peerAir™ | PRO

Wireless Outdoor Integration Kit

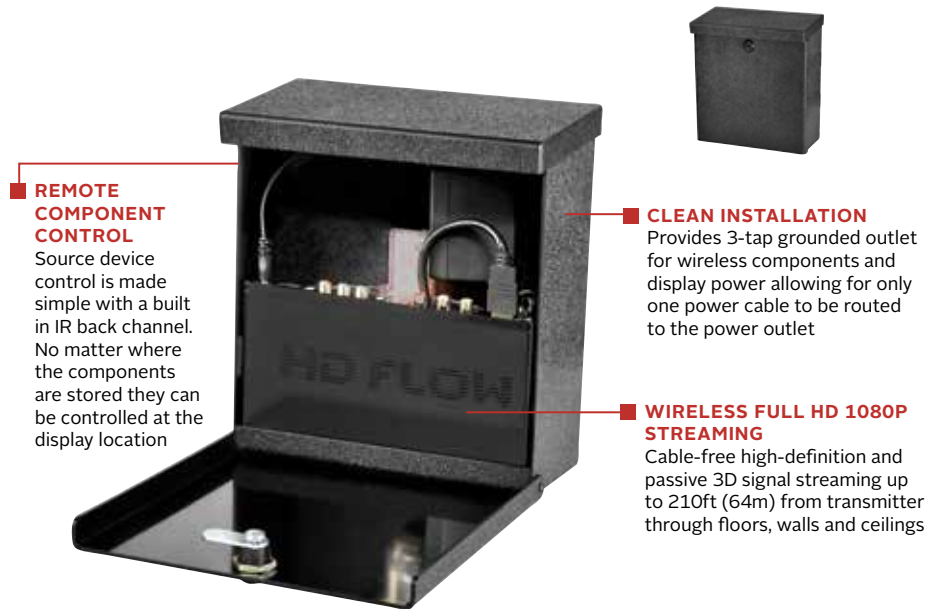
Includes PeerAir™ Pro Wireless AV Multi-Display System

Quickly and easily stream full HD 1080p content wirelessly with the PeerAir™ Pro Wireless Integration Kit. Perfect for installations where running signal cable is impractical or too costly, this Integration Kit comes with everything needed to stream Full HD 1080p and passive 3D signal up to 210ft (64m) from source devices through floors, walls, and ceilings. The built-in IR repeater system enables remote components to be controlled from the TV location. This kit ships pre-assembled, offers plug-and-play setup, and includes everything needed to quickly and easily stream wireless content without the hassle of running cables outdoors.

Additional Features

- ✓ Includes everything needed to stream wireless Full HD 1080p and passive 3D content to the mounted display through walls, floors or ceilings
- ✓ Includes IR Extender for enhanced remote control of AV components
- ✓ Includes one 2.5" (0.75m) HDMI cable for clean, fast and easy connectivity
- ✓ Built-in 3-tap grounded outlet for wireless components and display power allowing for only one power cable to be routed to the power outlet
- ✓ Accommodates installation to virtually any Peerless-AV® mount or flat wall surface
- ✓ Outer enclosure is constructed from flame resistant ABS Plastic (UL 94HB) material
- ✓ Ships pre-assembled
- ✓ Quick and easy installation and plug-and-play wireless set-up

The PeerAir™ Pro Wireless Outdoor Integration Kit protects against rain, snow, splashing water and debris.



Includes everything needed to quickly and easily stream wireless content to the outdoor display without the need to run signal cables



Cable management portals for a clean, clutter free installation



Includes cam lock to secure internal components



Adjustable mounting brackets easily attach the enclosure to virtually any TV mount

HDS-OWK-300 PeerAir™ Pro Wireless Outdoor Integration Kit, includes PeerAir™ Pro Wireless AV Multi-Display System

Product Specifications

PART NUMBER	HDS-OWK-300
DIMENSIONS	8.320" x 9.120" x 4.340" (211 x 231 x 110mm)
PRODUCT WEIGHT	7.45lb (3.38kg)
FINISH	Textured ABS Plastic UL 94HB
COLOR	Black

RANGE	- 210ft (64m)*
VIDEO INPUT (Transmitter)	- 3 x HDMI up to 1080p (60Hz) - 1 x VGA: High Density 15-Pin D-Sub (RGB) - 1 x Composite (via included dongle) - 1 x YPbPr Component (via included dongle)
VIDEO OUTPUT (Receiver)	- 1 x HDMI up to 1080p (60Hz) - 1 x Composite - 1 x YPbPr Component
VIDEO OUTPUT (Transmitter)	- 1 x HDMI up to 1080p (60Hz)** (Via Pass-thru Port)

AUDIO	- 2 Ch. Linear PCM, - Analog, 48kHz 16-bit ADC
AUDIO INPUT	- 1 x 3.5mm Audio Jack
AUDIO OUTPUT	- 1 x 3.5mm Audio Jack - 1 Stereo RCA Audio Jack (Receiver)
VIDEO STREAMING	- 40ms Latency
FREQUENCY	- 5.18 - 5.25GHz & 5.75 - 5.81GHz
POWER	- Voltage: 120V AC, 60Hz - Consumption: 12V DC, 2A

* Stated distance is based on line-of-sight measurement. Actual distance will be reduced with obstructions between transmitter and receiver models.
** From HDMI 1 input only

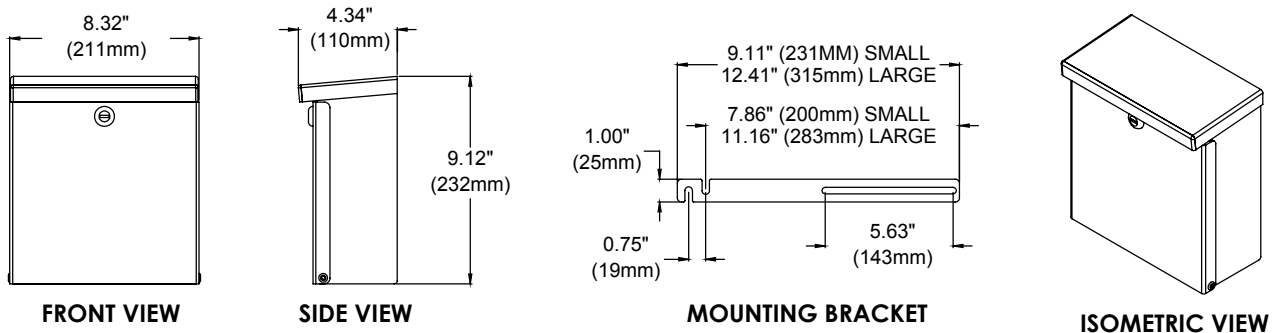
Package Specifications

	PACKAGE SIZE (W x H x D)	PACKAGE SHIP WEIGHT	PACKAGE UPC CODE	PACKAGE CONTENTS	UNITS IN PACKAGE
HDS-OWK-300	21.00" x 11.25" x 4.88" (533 x 286 x 124mm)	8.40lb (3.81kg)	735029311393	<ul style="list-style-type: none"> Outdoor Weather Resistant Enclosure Wireless Transmitter with Stand Wireless Receiver Remote Control 2 x 12V 2A Power Supply IR Flasher IR Extender 15-Pin D-Sub to RCA Female Component Video Breakout Cable 2.5ft (.75m) HDMI Cable 4 x Mounting Brackets (2 short, 2 long) 4ft Cable Management Sheath 3-Tap Grounded Outlet Removable Sub-Panel Mounting Hardware Instruction Manual 	1

Accessories

- HDS300-R:** PeerAir™ Pro Wireless Multimedia Receiver
- EPT650:** Wireless Outdoor Tilt Wall Mount for 32"-75" displays
- ESA763PU:** Wireless Outdoor Articulating Wall Mount for 32"-80" displays
- ACC-CMS-4F:** 4ft Cable Management
- EC-HD015F:** 1.5ft (.5m) High Speed HDMI Cable with Ethernet
- EC-HD025F:** 2.5ft (.75m) High Speed HDMI Cable with Ethernet
- EC-HD03F:** 3ft (1m) High Speed HDMI Cable with Ethernet
- CL-SCG200:** Screen Cleaning Gel

All dimensions = inch (mm)



Architect Specifications

The PeerAir™ Pro Wireless Outdoor Integration Kit shall be a Peerless-AV model HDS-OWK-300 and shall be located where indicated on the plans. Assembly and installation shall be done according to instructions provided by the manufacturer.

Visit peerless-av.com to see the complete line of AV solutions from Peerless-AV, including outdoor displays, wireless, kiosks, digital audio, display mounts, projector mounts, carts/stands, and a full assortment of accessories.

Peerless-AV
2300 White Oak Circle
Aurora, IL 60502 USA
(800) 865-2112
(630) 375-5100
Fax: (800) 359-6500

Peerless-AV Europe
Unit 3 Watford Interchange
Colonial Way, Watford
Herts, WD24 4WP
United Kingdom
+44 (0) 1923 200100
Fax: +44 (0) 1923 200101

Peerless-AV de México
Ave de las Industrias 413
Parque Industrial Escobedo
Escobedo, N.L.,
Mexico 66050
+52 (81) 8384-8300
Fax: +52 (81) 8384-8360

