

ACC328

# Laptop Tray

FOR MONITOR MOUNTS



Max load  
**8.4 to 17.8lb**  
**(3.8 to 8.1kg)**

With the frequency of laptop use, there is an increasing need to optimize home or office workstations to promote enhanced ergonomic posture. The ACC328 creates an ergonomic workstation for laptop usage, putting everything needed at eye level with a tray that securely holds any standard laptop computer. Designed with a front edge that prevents the laptop from sliding forward, the tray also accommodates a convertible notebook in either tablet or laptop mode. Transitioning from mobile computing to a desktop solution is effortless. The ACC328 easily mounts with just four screws to a selection of Peerless-AV Desktop Monitor Mounts.

*Effortlessly create an ergonomic workstation for laptops with the ACC328.*



## Additional Features

- ✓ Creates an ergonomic workstation for laptop use
- ✓ Simply attaches to Peerless-AV LCT620A(-G), LCT620AD(-G), LCT620AT-G, LCT620AQ-G, LCW620A & LCW620AD with 4 screws for quick assembly
- ✓ Ideal for standard laptops
- ✓ ACC316 (sold separately) can also be used to hold laptop securely in place



**FRONT EDGE DESIGN**  
Prevents laptop from sliding forward



Shown with LCW620A

ACC328 Laptop tray for Monitor Mounts

**Product Specifications**

	DIMENSIONS (W x H x D)	PRODUCT WEIGHT	LOAD CAPACITY	FINISH	AVAILABLE COLORS
ACC328	15.12" x 1.43" x 12.43" (384 x 36 x 316mm)	3.2lb (1.45kg)	8.4 to 17.8lb (3.8 to 8.1kg)	Powder Coat	Black

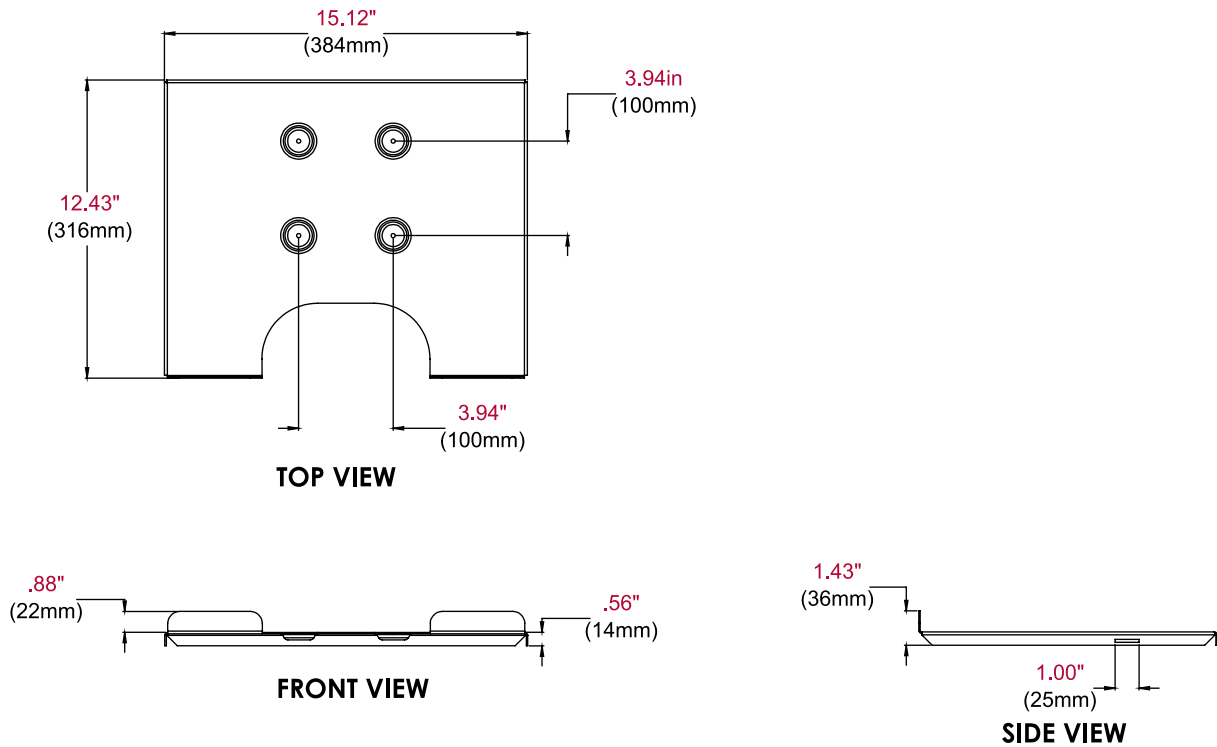
**Package Specifications**

	PACKAGE SIZE (W x H x D)	PACKAGE SHIP WEIGHT	PACKAGE UPC CODE	PACKAGE CONTENTS	UNITS IN PACKAGE
ACC328	18.25" x 13.25" x 2.00" (464 x 337 x 50mm)	3.8lb (1.72kg)	735029266808	Tray and attachment hardware	1

**Compatible with:**

- LCT620A:** Clamp-on Base Desktop Monitor Arm Mount for up to 29" Monitors
- LCT620A-G:** Grommet Base Desktop Monitor Arm Mount for up to 29" Monitors
- LCT620AD:** Clamp-on Base Dual Monitor Desktop Arm Mount for up to 29" Monitors
- LCT620AD-G:** Grommet Base Dual Monitor Desktop Arm Mount for up to 29" Monitors
- LCT620AT-G:** Triple Monitor Desktop Arm Mount for up to 24" Monitors
- LCT620AQ-G:** Quad Monitor Desktop Arm Mount for up to 24" Monitors
- LCW620A:** Articulating Wall Mount for up to 29" Monitors
- LCW620AD:** Dual Articulating Wall Mount for up to 29" Monitors

All dimensions = inch (mm)



**Architect Specifications**

The Laptop Tray for Monitor Mounts shall be a Peerless-AV model ACC328 and shall be located where indicated on the plans. Assembly and installation shall be done according to instructions provided by the manufacturer.

Visit [peerless-av.com](http://peerless-av.com) to see the complete line of AV solutions from Peerless-AV, including outdoor displays, wireless, kiosks, digital audio, display mounts, projector mounts, carts/stands, and a full assortment of accessories.

**Peerless-AV**  
 2300 White Oak Circle  
 Aurora, IL 60502 USA  
**(800) 865-2112**  
**(630) 375-5100**  
**Fax: (800) 359-6500**

**Peerless-AV Europe**  
 Unit 3 Watford Interchange  
 Colonial Way, Watford  
 Herts, WD24 4WP  
 United Kingdom  
**+44 (0) 1923 200100**  
**Fax: +44 (0) 1923 200101**

**Peerless-AV de México**  
 Ave de las Industrias 413  
 Parque Industrial Escobedo  
 Escobedo, N.L.,  
 Mexico 66050  
**+52 (81) 8384-8300**  
**Fax: +52 (81) 8384-8360**

