

1. INTRODUCTION

The Legrand Integration Expansion Module (P/N HA6101) is used to expand the number of user interface devices supported by the Legrand Integration Module (P/N HA6001) for larger Unity systems. It is available as part of three different kits, adding interface #3 & #4, #5 & #6 and #7 & #8 (see **Figure 2**). It connects to the Integration Module (or other Integration Expansion Module) with two cables. One is a standard Cat 5 cable attached to the Cascade jacks, and the other is a provided special 1-to-2 cable that attaches to the Q-Link Video Cascade jacks (see **Figure 2**).

NOTE: The 1-to-2 cable must be installed with cable end #1 going to Q-Link Video jack #1 and cable end #2 going to Q-Link Video jack #2 for proper system functionality.

NOTE: The HA6101 is powered by one PW1060 24VDC, 60W Power Supply, which is sold separately.

2. DESCRIPTION

A. CONNECTIONS

The Legrand Integration Expansion Module features:

- Two (2) RJ45 jacks labeled "LCD/TV" for connection to LCD Consoles or TV Display Interfaces
- Two (2) RJ45 jacks labeled "Cameras" for connection to Cameras via the CM1048 Combination LCD/Camera Distribution Module, or CM1010 LCD Module
- Eight (8) RJ45 jacks labeled "Q-Link 3-10" for connection to Selective Call Intercom devices
- Two (2) RJ45 jacks labeled "Lan 1 or Lan 2" for connection to a Router or other device that provides DHCP IP addresses (**Both are necessary for module to function**)
- Two (2) RJ45 jacks Labeled "Q-Link Video 1 or 2" for connection to HA6001 Integration Module or HA6101 Integration Expansion Module via the provided 1-to-2 cable (**Cable is necessary for module to function**)
- One (1) RJ45 jack labeled "Q-Link Video Cascade" for connection via the provided 1-to-2 cable to the next Integration Expansion Module (**if required**)

NOTE: On the HA6101 Integration Expansion Module, the two (2) RJ45 jacks labeled "Q-Link Video" are NOT connected to SCI Video Door Units (as on HA6001), and are used only for module interconnection

- Two (2) Cascade RJ45 jacks labeled "In" and "Out" for connection to the Integration Module or other Integration Expansion Module (**Necessary for module to function**)

B. EXPANSION SUPPORT

The first Integration Expansion Module Kit (P/N HA6452) provides support for:

- Two (2) additional Unity GUIs (System total 4) and includes the CM1048 Combination LCD/Camera Module
- Eight (8) additional RJ45 jacks for Selective Call Intercom devices (see **Figure 2**)

The second Integration Expansion Module Kit (P/N HA6454) provides support for:

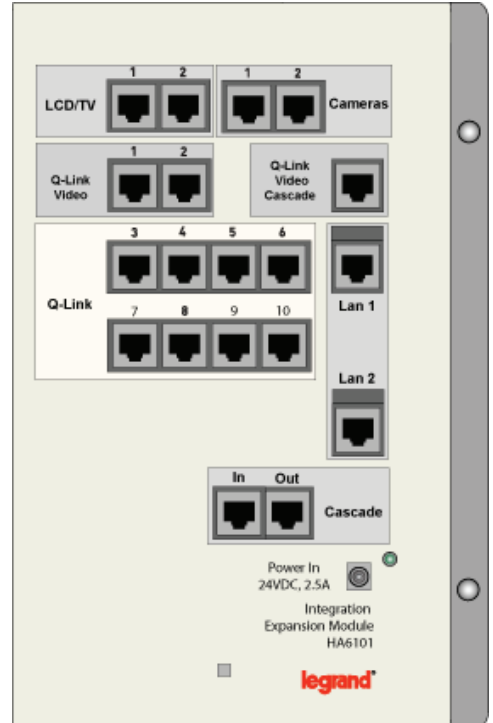
- Two (2) additional Unity GUIs (System total 6) and includes an additional CM1010 LCD Module
- Eight (8) additional RJ45 jacks for Selective Call Intercom devices (see **Figure 2**)

The third Integration Expansion Module Kit (P/N HA6456) provides support for:

- Two (2) additional Unity GUIs (System total 8)
- Eight (8) additional RJ45 jacks for Selective Call Intercom devices (see **Figure 2**)

NOTE: Regardless of how many Integration Expansion Module Kits are used, there is still a 32 node limit on the total number of supported SCI devices in one system. This 32 node limit includes LCD Consoles, but does not include TV Display Interfaces.

Figure 1



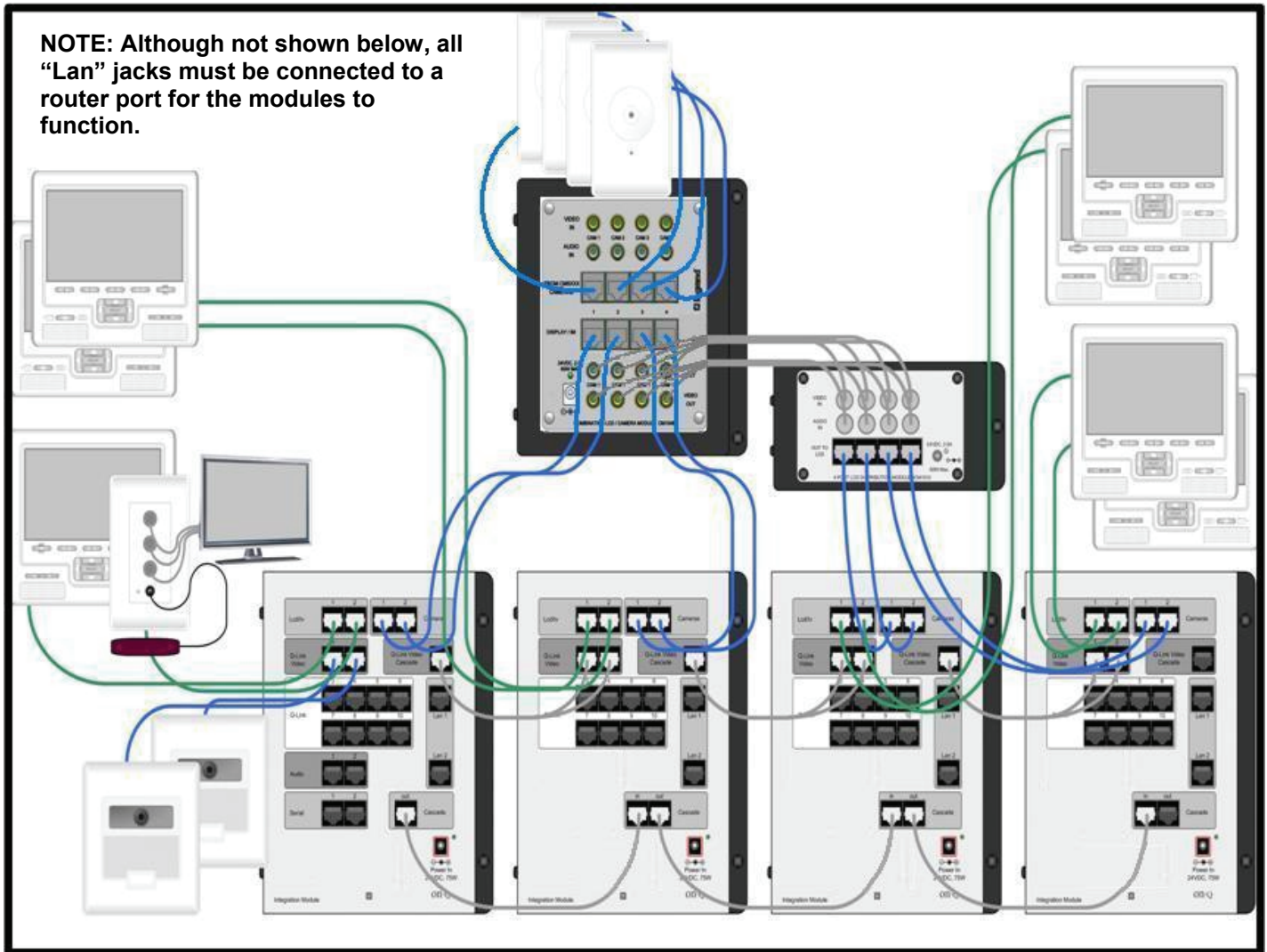


Figure 2

3. INSTALLATION

A. WIRING

All interfaces on the Integration Expansion Module are RJ45 jacks which require Cat 5 cables to be terminated using the T568A wiring standard shown in **Figure 3**.

NOTE: All devices in a Unity system should be powered up at the same time (i.e. use a common power strip for the individual AC adapters).

NOTE: The HA6101 is configured via any LCD Console/TVDI or via the web-based configuration interface, accessed by entering the system IP address (found under Setup/Network Info) into your PC web browser (PC must be on same data network as Unity System).

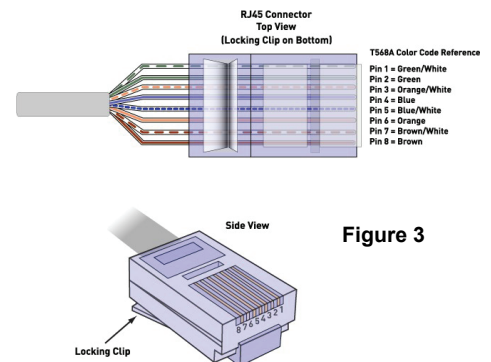


Figure 3