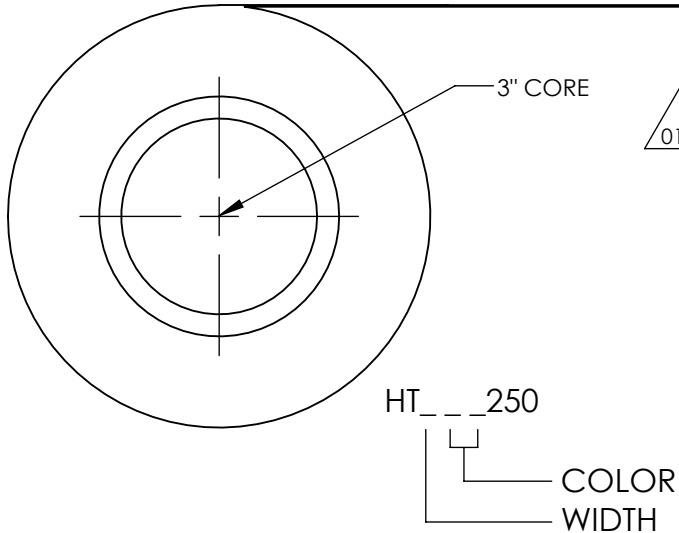
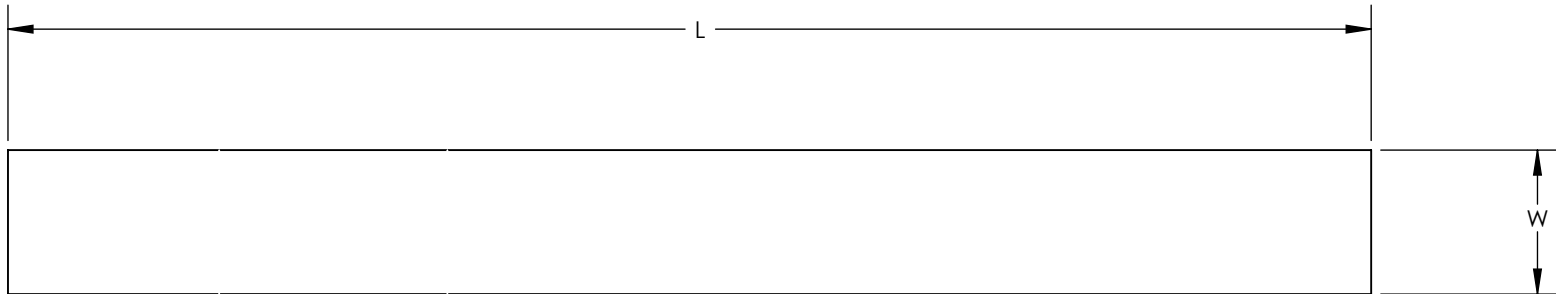


SW2015



Revision level			Revision Record	Changed	Date	Approved	Date
Drawing	State	Part					
01.2	Design Release		SEE ECN# 013740	CAS	2/12/2018	KAC	2/12/2018



01.2

GLOBAL PART NAME	PART NUMBER	TYPE	COLOR	W	L	PKG. TYPE	PKG. QTY
HT1WH250-V-WH	558-00309	HT1WH250	WHITE	1 (25.4)	250 (76)	ROLL	1
HT2WH250-V-WH	558-00313	HT2WH250		2 (50.8)			
HT3WH250-V-WH	558-00345	HT3WH250		3 (76.2)			
HT4WH250-V-WH	558-00350	HT4WH250		4 (101.6)			
HT1YE250-V-YE	558-00310	HT1YE250	YELLOW	1 (25.4)			
HT2YE250-V-YE	558-00314	HT2YE250		2 (50.8)			
HT3YE250-V-YE	558-00346	HT3YE250		3 (76.2)			
HT1RD250-V-RD	558-00308	HT1RD250	RED	1 (25.4)			
HT2RD250-V-RD	558-00312	HT2RD250		2 (50.8)			
HT3RD250-V-RD	558-00006	HT3RD250		3 (76.2)			
HT4RD250-V-RD	558-00370	HT4RD250		4 (101.6)			
HT1BK250-V-BK	558-00307	HT1BK250	BLACK	1 (25.4)			
HT2BK250-V-BK	558-00311	HT2BK250		2 (50.8)			
HT3BK250-V-BK	558-00374	HT3BK250		3 (76.2)			
HT1OE250-V-OG	558-00336	HT1OE250	ORANGE	1 (25.4)			
HT2OE250-V-OG	558-00337	HT2OE250		2 (50.8)			
HT3OE250-V-OG	558-00338	HT3OE250		3 (76.2)			
HT1BU250-V-BU	558-00339	HT1BU250	BLUE	1 (25.4)			
HT2BU250-V-BU	558-00341	HT2BU250		2 (50.8)			
HT3BU250-V-BU	558-00343	HT3BU250		3 (76.2)			
HT1GN250-V-GN	558-00340	HT1GN250	GREEN	1 (25.4)			
HT2GN250-V-GN	558-00342	HT2GN250		2 (50.8)			
HT3GN250-V-GN	558-00344	HT3GN250		3 (76.2)			
HT4GN250-V-GN	558-00351	HT4GN250		4 (101.6)			

- NOTES:
 1. ADHESIVE: ACRYLIC
 2. TEMPERATURE RANGE: -40°F TO +180°F (-40°C TO +82°C)
 3. LINER: 10 YEAR OUTDOOR RATED
 4. RoHS

Material VINYL	Units: inches	The copyright of this drawing is reserved by HellermannTyton. It is issued on condition that it is not reproduced, copied, or disclosed to a third party, either wholly or in part, without the consent of HellermannTyton.	Drawn	GRW	3/2/2017	Article/Type-No	HT_250	Scale	
	Dimension without tolerances details to: .xxxx = ±.0005 .xxx = ±.005 .xx = ±.01 .x = ±.03 None = ±.06 ∠ = ±0.5° Dimension Formatted in [mm]		Approved	KAC	3/2/2017	Title	SOLID COLORED CONTINUOUS ROLL VINYL LABELS	Project Number	PRP 17-0701
	North America Email: corp@htamericas.com Web: www.hellermann.tyton.com			Drawing-No	PRODUCTION : Phase		Format	AH	
				17-0701-001-CSU			Sheet	1/1	