

HYSHED SCREW COVER ENCLOSURE, IP69K



INDUSTRY STANDARDS

Mounting brackets required to meet UL/cUL external mounting requirement.

Hoffman Industrial Control Enclosures / Models HSDS##SS and HSDH##SS / HyShed Screw Cover and Hinged Cover hold a 3-A SSI Replacement Parts and System Component Qualification Certificate and conforms to applicable provisions of 3-A Sanitary Standard for General Requirements, ANSI/3-A 00-01-2018

UL 508A Listed; Type 4, 4X, 12; File Number E61997
 cUL Listed per CSA C22.2 No 94; Type 4, 4X, 12; File Number E61997
 UL and cUL Classified to IEC 60529, IP66, IP69; File Number E503705

NSF 169 Special Purpose Food Equipment and Devices
 3-A SSI Replacement Parts and System Component Qualification Certificate
 NEMA/EEMAC Type 4, 4X, 12
 DIN 40050-9, IP69K
 IEC 60529, IP66, IP69

APPLICATION

Engineered specially to withstand high pressure, high temperature sanitary washdown cleaning procedures, particularly in Food & Beverage applications that have direct and indirect food contact. The HyShed Screw Cover enclosures feature a 10-degree sloped top to prevent fluids or particulates from pooling and maximize back panel space, an easily replaceable FDA-grade silicone gasket that helps resist bacteria growth and chemical absorption while simplifying maintenance, and a streamlined hygienic design that helps wipe out bacteria harboring catchpoints.

SPECIFICATIONS

- Manufactured from 14 gauge Type 304 stainless steel
- 10-degree sloped top facilitates runoff of water and cleaning solutions; prevents fluids or particulates from pooling
- Door edges are sloped to facilitate runoff
- Replaceable FDA-grade solid silicone gasket compliant with FDA Guideline 21 CFR 177.2600
- Gasket is sanitary Pantone 287 blue color for easy visual detection by common food scanning equipment and vision systems
- Screws and spacers that captivate fasteners to cover and prevent over-tightening of FDA-grade solid silicone seal
- Stainless steel crevice-free screw surfaces to reduce bacteria harboring catch points; uses standard tool to open
- Solid back with no pre-tapped mounting holes for easy weld mounting; optional IP69K sanitary stand-off kit available.
- Seams continuously welded and ground smooth
- Bonding provision on door and body
- Furnished hardware kit consists of panel mounting kit and grounding kit

FINISH

#4 Dairy finish.

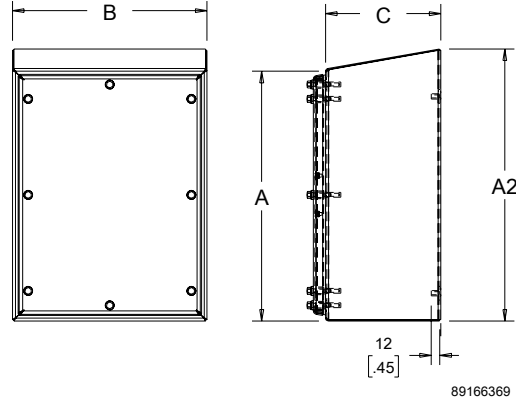
ACCESSORIES

- Panels for Type 3R, 4, 4X, 12 and 13 Enclosures
- IP69K Stand-Off Kit
- Replacement FDA-Grade Silicone Gasket
- Replacement Doors
- Replacement HyShed Screws
- Replacement HyShed Screw Seals

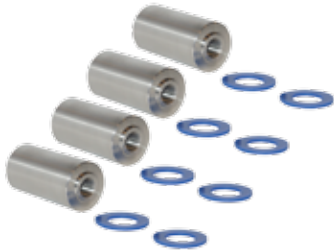
BULLETIN: HS1

Standard Product

Catalog Number	AxBxC in./mm	Panel	Conductive Panel	Stainless Steel Panel	A2 in./mm	Screw Cover Qty.	Replacement Gasket
HSDS070404SS	7.13 x 4.13 x 4.00 181 x 105 x 102	A6P4	A6P4G	A6P4SS	7.83 199	4	HSDS0704GSK
HSDS090604SS	9.13 x 6.13 x 4.00 232 x 156 x 102	A8P6	A8P6G	A8P6SS	9.83 250	4	HSDS0906GSK
HSDS110804SS	11.13 x 8.13 x 4.00 283 x 207 x 102	A10P8	A10P8G	A10P8SS	11.83 300	6	HSDS1108GSK
HSDS131006SS	13.13 x 10.13 x 6.00 334 x 257 x 152	A12P10	A12P10G	A12P10SS	14.18 360	8	HSDS1310GSK
HSDS151208SS	15.13 x 12.13 x 8.00 384 x 308 x 203	A14P12	A14P12G	A14P12SS	16.54 420	8	HSDS1512GSK



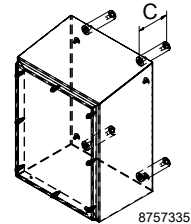
HYSHED STAND-OFF KIT, IP69K



BULLETIN: HSY

Standard Product

Catalog Number	C in./mm
HSSOK2SS	2.00 51
HSSOK4SS	4.00 102



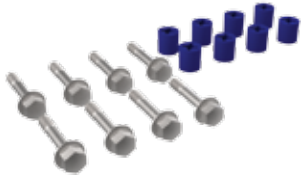
HYSHED REPLACEMENT GASKET FOR SCREW COVER ENCLOSURES



BULLETIN: HSY

Catalog Number	Fits Enclosure A x B in./mm
HSDS0704GSK	7 x 4 178 x 102
HSDS0906GSK	9 x 6 229 x 152
HSDS1108GSK	11 x 8 279 x 203
HSDS1310GSK	13 x 10 330 x 254
HSDS1512GSK	15 x 12 381 x 305

REPLACEMENT HYSHED SCREWS



Screws and spacers that captivate fasteners to cover and prevent over-tightening. Eight screws and spacers included in kit.

BULLETIN: HSY

Standard Product

Catalog Number	Description
HSDSSCR	Replacement screws, 10-32 x 1 SS

REPLACEMENT HYSHED SCREW SEALS



Blue FDA-grade silicone seals for cover screws. Eight seals included in kit.

BULLETIN: HSY

Standard Product

Catalog Number	Description
HSDSGSK	Replacement seals

Notes