

## FULL SUBPANEL (REAR OR SIDE)



### APPLICATION

The PROLINE G2 Subpanel is part of the new patent pending EZ-Load Mounting System which was designed to maximize space utilization and to make loading the subpanel faster and safer by providing a variety of loading options. The EZ-Load Glide Blocks can be used to load a subpanel vertically from the front, rear or side. Additionally, they can be used to load the subpanel horizontally—a new method for a more controlled option to load a subpanel into a modular enclosure.

### FEATURES

- Accommodates five loading options: vertical front, vertical side, vertical rear, horizontal front (frame over subpanel), horizontal rear (subpanel lowered into frame)
- Large mounting subpanel; maximum internal space efficiency
- Mounting subpanel is securely fastened at the top and bottom of the enclosure

### SPECIFICATIONS

- Subpanels systems less than 1200mm wide include four sets of EZ-Load Glide Blocks, four BV-M6 fasteners (block to frame) and four M12 Hex Bolts (subpanel to block)
- Subpanel systems 1200mm and greater include eight sets of EZ Load Glide Blocks, eight BV-M6 fasteners (block to frame) and eight M12 Hex Bolts (subpanel to block) to ensure wider subpanels are well supported
- Subpanels can be mounted at any depth in 25-mm increments (front to back)
- Accommodates back-to-back subpanels and fully recessed rear position

- Panels can be installed in the rearmost position, or positioned so joined enclosures provide a continuous mounting surface without requiring joining panels
- High space efficiency ratio (HxW of subpanel)/(HxW of frame) of 84 percent
- Side-mount panels must be used for the sides of the enclosure; they can be installed on the interior sides of frames
- Widths of 1200 mm are 10 gauge (3.0 mm) mild steel; widths less than 1200 mm are 12 gauge (2.5 mm)
- Conductive (galvanized/plated) or painted options
- Optional panel support bracket available for applications requiring more support in the center of the subpanel; this is required if the enclosure will be tipped in transit or if the panel is not located at the bottom of the enclosure on the glide blocks
- Optional panel support brace for the bottom of the enclosure provides additional support for heavy loads

### FINISH

- Painted polyester powder paint; white
- Custom colors available

### LOAD RATING

- 2000 lbs (907 kg), safety factor 2.5; frame size: 2000x600x800 mm (load ratings vary by frame size)

### ACCESSORIES

- Joining Subpanels
- Panel Support Bracket
- Panel Support Brace

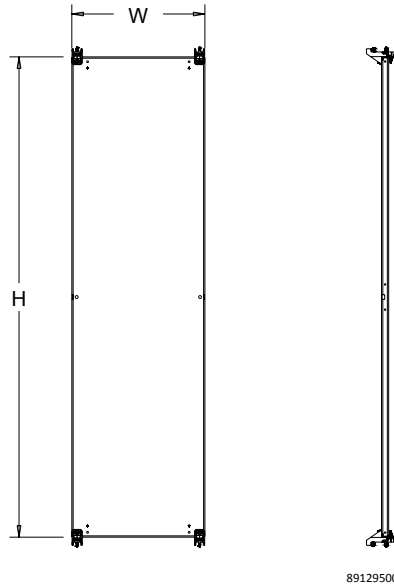
### BULLETIN: P40

Standard Product **Rear Mount**

Catalog Number	H (mm)	H (in.)	W (mm)	W (in.)	Gauge	Fits Frame H x W (mm)	Description
P2P66	506	19.9	528	20.8	12	600x600	Painted
P2P66G	506	19.9	528	20.8	12	600x600	Conductive
P2P68	506	19.9	728	28.7	12	600x800	Painted
P2P68G	506	19.9	728	28.7	12	600x800	Conductive
P2P86	706	27.8	528	20.8	12	800x600	Painted
P2P86G	706	27.8	528	20.8	12	800x600	Conductive
P2P88	706	27.8	728	28.7	12	800x800	Painted
P2P88G	706	27.8	728	28.7	12	800x800	Conductive
P2P106	906	35.7	528	20.8	12	1000x600	Painted
P2P106G	906	35.7	528	20.8	12	1000x600	Conductive
P2P108	906	35.7	728	28.7	12	1000x800	Painted
P2P108G	906	35.7	728	28.7	12	1000x800	Conductive
P2P1012	906	35.7	1128	44.4	10	1000x1200	Painted
P2P1012G	906	35.7	1128	44.4	10	1000x1200	Conductive
P2P126	1106	43.6	528	20.8	12	1200x600	Painted
P2P126G	1106	43.6	528	20.8	12	1200x600	Conductive
P2P128	1106	43.6	728	28.7	12	1200x800	Painted
P2P128G	1106	43.6	728	28.7	12	1200x800	Conductive
P2P1212	1106	43.6	1128	44.4	10	1200x1200	Painted
P2P1212G	1106	43.6	1128	44.4	10	1200x1200	Conductive
P2P146	1306	51.4	528	20.8	12	1400x600	Painted
P2P146G	1306	51.4	528	20.8	12	1400x600	Conductive
P2P148	1306	51.4	728	28.7	12	1400x800	Painted
P2P148G	1306	51.4	728	28.7	12	1400x800	Conductive
P2P1412	1306	51.4	1128	44.4	10	1400x1200	Painted
P2P1412G	1306	51.4	1128	44.4	10	1400x1200	Conductive
P2P166	1506	59.3	528	20.8	12	1600x600	Painted
P2P166G	1506	59.3	528	20.8	12	1600x600	Conductive
P2P168	1506	59.3	728	28.7	12	1600x800	Painted
P2P168G	1506	59.3	728	28.7	12	1600x800	Conductive
P2P1610	1506	59.3	928	36.5	12	1600x1000	Painted
P2P1610G	1506	59.3	928	36.5	12	1600x1000	Conductive
P2P1612	1506	59.3	1128	44.4	10	1600x1200	Painted
P2P1612G	1506	59.3	1128	44.4	10	1600x1200	Conductive
P2P1616	1506	59.3	1528	60.2	10	1600x1600	Painted
P2P1616G	1506	59.3	1528	60.2	10	1600x1600	Conductive
P2P184	1706	67.2	328	12.9	12	1800x400	Painted
P2P184G	1706	67.2	328	12.9	12	1800x400	Conductive
P2P186	1706	67.2	528	20.8	12	1800x600	Painted
P2P186G	1706	67.2	528	20.8	12	1800x600	Conductive
P2P188	1706	67.2	728	28.7	12	1800x800	Painted
P2P188G	1706	67.2	728	28.7	12	1800x800	Conductive
P2P1810	1706	67.2	928	36.5	12	1800x1000	Painted
P2P1810G	1706	67.2	928	36.5	12	1800x1000	Conductive
P2P1812	1706	67.2	1128	44.4	10	1800x1200	Painted
P2P1812G	1706	67.2	1128	44.4	10	1800x1200	Conductive
P2P1816	1706	67.2	1528	60.2	10	1800x1600	Painted
P2P1816G	1706	67.2	1528	60.2	10	1800x1600	Conductive
P2P1818	1706	67.2	1728	68.0	10	1800x1800	Painted
P2P1818G	1706	67.2	1728	68.0	10	1800x1800	Conductive
P2P204	1906	75.1	328	12.9	12	2000x400	Painted
P2P204G	1906	75.1	328	12.9	12	2000x400	Conductive
P2P206	1906	75.1	528	20.8	12	2000x600	Painted
P2P206G	1906	75.1	528	20.8	12	2000x600	Conductive
P2P208	1906	75.1	728	28.7	12	2000x800	Painted
P2P208G	1906	75.1	728	28.7	12	2000x800	Conductive
P2P2010	1906	75.1	928	36.5	12	2000x1000	Painted
P2P2010G	1906	75.1	928	36.5	12	2000x1000	Conductive
P2P2012	1906	75.1	1128	44.4	10	2000x1200	Painted
P2P2012G	1906	75.1	1128	44.4	10	2000x1200	Conductive
P2P2016	1906	75.1	1528	60.2	10	2000x1600	Painted
P2P2016G	1906	75.1	1528	60.2	10	2000x1600	Conductive
P2P2018	1906	75.1	1728	68.0	10	2000x1800	Painted
P2P2018G	1906	75.1	1728	68.0	10	2000x1800	Conductive
P2P226	2106	82.9	528	20.8	12	2200x600	Painted
P2P226G	2106	82.9	528	20.8	12	2200x600	Conductive
P2P228	2106	82.9	728	28.7	12	2200x800	Painted
P2P228G	2106	82.9	728	28.7	12	2200x800	Conductive
P2P2210	2106	82.9	928	36.5	12	2200x1000	Painted
P2P2210G	2106	82.9	928	36.5	12	2200x1000	Conductive
P2P2212	2106	82.9	1128	44.4	10	2200x1200	Painted
P2P2212G	2106	82.9	1128	44.4	10	2200x1200	Conductive
P2P2216	2106	82.9	1528	60.2	10	2200x1600	Painted
P2P2216G	2106	82.9	1528	60.2	10	2200x1600	Conductive
P2P2218	2106	82.9	1728	68.0	10	2200x1800	Painted
P2P2218G	2106	82.9	1728	68.0	10	2200x1800	Conductive

**Standard Product Side Mount**

Catalog Number	H (mm)	H (in.)	W (mm)	W (in.)	Gauge	Fits Frame H x W	Description
P2PSM64	527	20.7	253	10.0	12	600x400	Painted
P2PSM64G	527	20.7	253	10.0	12	600x400	Conductive
P2PSM66	527	20.7	453	17.8	12	600x600	Painted
P2PSM66G	527	20.7	453	17.8	12	600x600	Conductive
P2PSM68	527	20.7	653	25.7	12	600x800	Painted
P2PSM68G	527	20.7	653	25.7	12	600x800	Conductive
P2PSM86	727	28.6	453	17.8	12	800x600	Painted
P2PSM86G	727	28.6	453	17.8	12	800x600	Conductive
P2PSM88	727	28.6	653	25.7	12	800x800	Painted
P2PSM88G	727	28.6	653	25.7	12	800x800	Conductive
P2PSM105	927	36.5	353	13.9	12	1000x500	Painted
P2PSM105G	927	36.5	353	13.9	12	1000x500	Conductive
P2PSM106	927	36.5	453	17.8	12	1000x600	Painted
P2PSM106G	927	36.5	453	17.8	12	1000x600	Conductive
P2PSM108	927	36.5	653	25.7	12	1000x800	Painted
P2PSM108G	927	36.5	653	25.7	12	1000x800	Conductive
P2PSM125	1127	44.4	353	13.9	12	1200x500	Painted
P2PSM125G	1127	44.4	353	13.9	12	1200x500	Conductive
P2PSM126	1127	44.4	453	17.8	12	1200x600	Painted
P2PSM126G	1127	44.4	453	17.8	12	1200x600	Conductive
P2PSM128	1127	44.4	653	25.7	12	1200x800	Painted
P2PSM128G	1127	44.4	653	25.7	12	1200x800	Conductive
P2PSM145	1327	52.2	353	13.9	12	1400x500	Painted
P2PSM145G	1327	52.2	353	13.9	12	1400x500	Conductive
P2PSM146	1327	52.2	453	17.8	12	1400x600	Painted
P2PSM146G	1327	52.2	453	17.8	12	1400x600	Conductive
P2PSM148	1327	52.2	653	25.7	12	1400x800	Painted
P2PSM148G	1327	52.2	653	25.7	12	1400x800	Conductive
P2PSM164	1527	60.1	253	10.0	12	1600x400	Painted
P2PSM164G	1527	60.1	253	10.0	12	1600x400	Conductive
P2PSM165	1527	60.1	353	13.9	12	1600x500	Painted
P2PSM165G	1527	60.1	353	13.9	12	1600x500	Conductive
P2PSM166	1527	60.1	453	17.8	12	1600x600	Painted
P2PSM166G	1527	60.1	453	17.8	12	1600x600	Conductive
P2PSM168	1527	60.1	653	25.7	12	1600x800	Painted
P2PSM168G	1527	60.1	653	25.7	12	1600x800	Conductive
P2PSM184	1727	68.0	253	10.0	12	1800x400	Painted
P2PSM184G	1727	68.0	253	10.0	12	1800x400	Conductive
P2PSM185	1727	68.0	353	13.9	12	1800x500	Painted
P2PSM185G	1727	68.0	353	13.9	12	1800x500	Conductive
P2PSM186	1727	68.0	453	17.8	12	1800x600	Painted
P2PSM186G	1727	68.0	453	17.8	12	1800x600	Conductive
P2PSM188	1727	68.0	653	25.7	12	1800x800	Painted
P2PSM188G	1727	68.0	653	25.7	12	1800x800	Conductive
P2PSM204	1927	75.9	253	10.0	12	2000x400	Painted
P2PSM204G	1927	75.9	253	10.0	12	2000x400	Conductive
P2PSM205	1927	75.9	353	13.9	12	2000x500	Painted
P2PSM205G	1927	75.9	353	13.9	12	2000x500	Conductive
P2PSM206	1927	75.9	453	17.8	12	2000x600	Painted
P2PSM206G	1927	75.9	453	17.8	12	2000x600	Conductive
P2PSM208	1927	75.9	653	25.7	12	2000x800	Painted
P2PSM208G	1927	75.9	653	25.7	12	2000x800	Conductive
P2PSM2010	1927	75.9	853	33.6	12	2000x1000	Painted
P2PSM2010G	1927	75.9	853	33.6	12	2000x1000	Conductive
P2PSM224	2127	83.7	253	10.0	12	2200x400	Painted
P2PSM224G	2127	83.7	253	10.0	12	2200x400	Conductive
P2PSM225	2127	83.7	353	13.9	12	2200x500	Painted
P2PSM225G	2127	83.7	353	13.9	12	2200x500	Conductive
P2PSM226	2127	83.7	453	17.8	12	2200x600	Painted
P2PSM226G	2127	83.7	453	17.8	12	2200x600	Conductive
P2PSM228	2127	83.7	653	25.7	12	2200x800	Painted
P2PSM228G	2127	83.7	653	25.7	12	2200x800	Conductive
P2PSM2210	2127	83.7	853	33.6	12	2200x1000	Painted
P2PSM2210G	2127	83.7	853	33.6	12	2200x1000	Conductive



Model	Component	Type	Height	Width/Depth*	Specialty	Catalog Number
<b>P2</b>	<b>P</b>	<b>Blank</b>	<b>20</b>	<b>8</b>	<b>G</b>	<b>= P2P208G</b>
PROLINE G2	Mounting Subpanel	Blank = full subpanel SM = full, side-mount J = joining P = partial PSM = partial, side-mount SO = swing-out	mm 22 = 2200 20 = 2000 18 = 1800 16 = 1600 14 = 1400 12 = 1200 10 = 1000 8 = 800 6 = 600	mm 18 = 1800 16 = 1600 14 = 1400 12 = 1200 10 = 1000 8 = 800 6 = 600 4 = 400	Blank = painted G = galvanized	

\*Width used for full subpanels, partial and swing-out panels; depth used for side mount and partial side mount subpanels; joining subpanels only use height (not width or depth)

NOTE: Not every combination is available as a standard product.

**EZ-LOAD GLIDE BLOCKS**



**APPLICATION**

A complete set of PROLINE G2 EZ-Load Glide Blocks is included with every PROLINE G2 Full Mounting Subpanel and PROLINE G2 Industrial Packages. This set of four additional blocks can be used if a replacement set is needed.

**FEATURES**

- Can be used to load a subpanel vertically from the front, rear or side.
- Can be used to load a subpanel while it is horizontal (i.e. on a table).
- Ensures subpanel is securely bolted to the frame in all four corners.

**SPECIFICATIONS**

- For vertical front loading, the front glide blocks use the frame rails as a guide. Shaped to fit over the frame rails, the glide blocks ensure the subpanel inserts smoothly and easily into the desired location within the enclosure.
- The rear glide blocks can be attached to the enclosure prior to the subpanel insertion, so the end position of the subpanel can easily and accurately predetermined.
- For horizontal loading, the frame can be lowered over the mounting subpanel. In this configuration the load of the subpanel is in a safe, static state. The EZ-Load Glide Blocks can then be easily fastened to the frame and subpanel.
- If the subpanel is used in the rearmost position, the rear glide blocks will not be used.
- If two subpanels are used in the enclosure in a back-to-back position the rear glide blocks will not be used.
- Made from a high performing glass re-enforced polymer
- Attaches to the frame using BV-M6 fasteners; attaches to the subpanel using hex bolts.
- Mounting hardware included

**BULLETIN: P40**

Catalog Number	Description	Pkg. Qty.
P2AGBHK	EZ-LOAD Glide Blocks	4

**PARTIAL SUBPANEL AND SIDE-MOUNT PANEL**



**APPLICATION**

Partial Subpanels can be used on the sides of a modular enclosure or placed at any depth in 25-mm increments.

**FEATURES**

- 12 gauge (2.5mm), mild steel or galvanized steel
- Flanges on all four sides

**SPECIFICATIONS**

- Partial subpanels can be placed in the rearmost position of the enclosure at any vertical height in 25-mm increments, or placed at any depth using grid straps (not included)
- Side-mount partial subpanels can be placed on either side at any vertical height in 25-mm increments.
- All necessary mounting hardware is included

**FINISH**

- Painted polyester powder paint; white
- Custom colors available

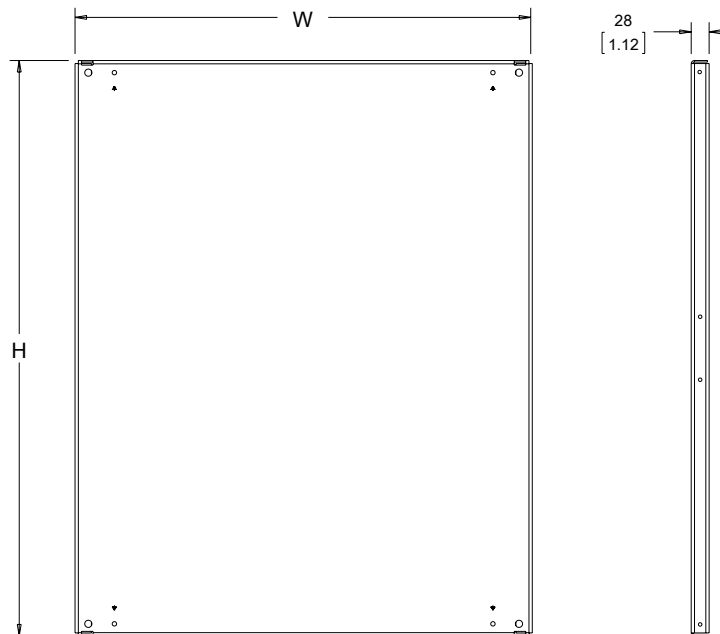
BULLETIN: P40

Model	Component	Type	Height	Width	Specialty	Catalog Number
P2	P	P	9	8	G	= P2PP98G
PROLINE G2	Mounting Subpanel	Blank = full subpanel SM = full, side-mount J = joining P = partial PSM = partial, side-mount SO = swing-out	mm 11 = 1100 9 = 900 7 = 700 5 = 500	mm 12 = 1200 10 = 1000 8 = 800 6 = 600 4 = 400	Blank = painted G = galvanized	

NOTE: Not every combination is available as a standard product.

Standard Product **Front- or Rear-Mount Partial Subpanels**

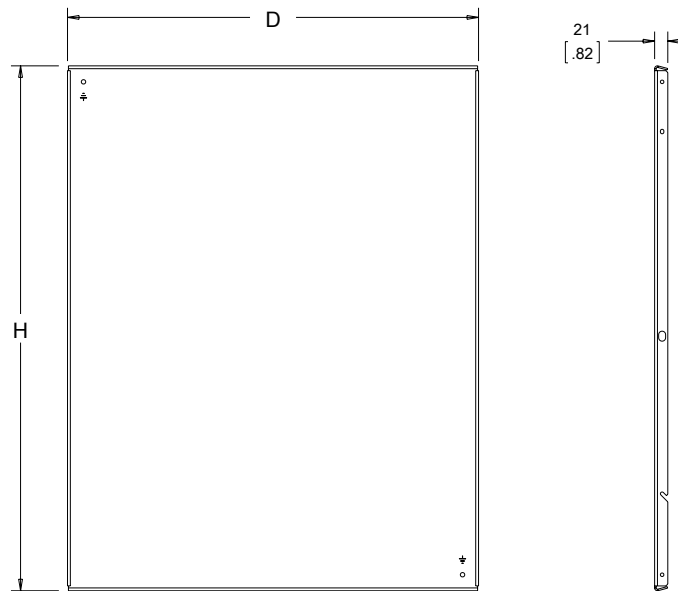
Catalog Number	H (mm)	H (in.)	W (mm)	W (in.)	Fits Frame HxW (mm)	Description
P2PP54	514	20.2	326	12.8	500x400	Painted
P2PP54G	514	20.2	326	12.8	500x400	Conductive
P2PP56	514	20.2	526	20.7	500x600	Painted
P2PP56G	514	20.2	526	20.7	500x600	Conductive
P2PP58	514	20.2	726	28.6	500x800	Painted
P2PP58G	514	20.2	726	28.6	500x800	Conductive
P2PP510	514	20.2	926	36.5	500x1000	Painted
P2PP510G	514	20.2	926	36.5	500x1000	Conductive
P2PP512	514	20.2	1126	44.3	500x1200	Painted
P2PP512G	514	20.2	1126	44.3	500x1200	Conductive
P2PP74	714	28.1	326	12.8	700x400	Painted
P2PP74G	714	28.1	326	12.8	700x400	Conductive
P2PP76	714	28.1	526	20.7	700x600	Painted
P2PP76G	714	28.1	526	20.7	700x600	Conductive
P2PP78	714	28.1	726	28.6	700x800	Painted
P2PP78G	714	28.1	726	28.6	700x800	Conductive
P2PP710	714	28.1	926	36.5	700x1000	Painted
P2PP710G	714	28.1	926	36.5	700x1000	Conductive
P2PP712	714	28.1	1126	44.3	700x1200	Painted
P2PP712G	714	28.1	1126	44.3	700x1200	Conductive
P2PP94	914	36.0	326	12.8	900x400	Painted
P2PP94G	914	36.0	326	12.8	900x400	Conductive
P2PP96	914	36.0	526	20.7	900x600	Painted
P2PP96G	914	36.0	526	20.7	900x600	Conductive
P2PP98	914	36.0	726	28.6	900x800	Painted
P2PP98G	914	36.0	726	28.6	900x800	Conductive
P2PP910	914	36.0	926	36.5	900x1000	Painted
P2PP910G	914	36.0	926	36.5	900x1000	Conductive
P2PP912	914	36.0	1126	44.3	900x1200	Painted
P2PP912G	914	36.0	1126	44.3	900x1200	Conductive
P2PP114	1114	43.8	326	12.8	1100x400	Painted
P2PP114G	1114	43.8	326	12.8	1100x400	Conductive
P2PP116	1114	43.8	526	20.7	1100x600	Painted
P2PP116G	1114	43.8	526	20.7	1100x600	Conductive
P2PP118	1114	43.8	726	28.6	1100x800	Painted
P2PP118G	1114	43.8	726	28.6	1100x800	Conductive
P2PP1110	1114	43.8	926	36.5	1100x1000	Painted
P2PP1110G	1114	43.8	926	36.5	1100x1000	Conductive
P2PP1112	1114	43.8	1126	44.3	1100x1200	Painted
P2PP1112G	1114	43.8	1126	44.3	1100x1200	Conductive



89129502

Standard Product **Side-Mount Partial Subpanels**

Catalog Number	H (mm)	H (in.)	D (mm)	D (in.)	Fits Frame HxD (mm)	Description
P2PPSM54	433	17.0	253	10.0	500x400	Painted
P2PPSM54G	433	17.0	253	10.0	500x400	Conductive
P2PPSM55	433	17.0	353	13.9	500x500	Painted
P2PPSM55G	433	17.0	353	13.9	500x500	Conductive
P2PPSM56	433	17.0	453	17.8	500x600	Painted
P2PPSM56G	433	17.0	453	17.8	500x600	Conductive
P2PPSM58	433	17.0	653	25.7	500x800	Painted
P2PPSM58G	433	17.0	653	25.7	500x800	Conductive
P2PPSM510	433	17.0	853	33.6	500x1000	Painted
P2PPSM510G	433	17.0	853	33.6	500x1000	Conductive
P2PPSM74	633	24.9	253	10.0	700x400	Painted
P2PPSM74G	633	24.9	253	10.0	700x400	Conductive
P2PPSM75	633	24.9	353	13.9	700x500	Painted
P2PPSM75G	633	24.9	353	13.9	700x500	Conductive
P2PPSM76	633	24.9	453	17.8	700x600	Painted
P2PPSM76G	633	24.9	453	17.8	700x600	Conductive
P2PPSM78	633	24.9	653	25.7	700x800	Painted
P2PPSM78G	633	24.9	653	25.7	700x800	Conductive
P2PPSM710	633	24.9	853	33.6	700x1000	Painted
P2PPSM710G	633	24.9	853	33.6	700x1000	Conductive
P2PPSM94	833	32.8	253	10.0	900x400	Painted
P2PPSM94G	833	32.8	253	10.0	900x400	Conductive
P2PPSM95	833	32.8	353	13.9	900x500	Painted
P2PPSM95G	833	32.8	353	13.9	900x500	Conductive
P2PPSM96	833	32.8	453	17.8	900x600	Painted
P2PPSM96G	833	32.8	453	17.8	900x600	Conductive
P2PPSM98	833	32.8	653	25.7	900x800	Painted
P2PPSM98G	833	32.8	653	25.7	900x800	Conductive
P2PPSM910	833	32.8	853	33.6	900x1000	Painted
P2PPSM910G	833	32.8	853	33.6	900x1000	Conductive
P2PPSM114	1033	40.7	253	10.0	1100x400	Painted
P2PPSM114G	1033	40.7	253	10.0	1100x400	Conductive
P2PPSM115	1033	40.7	353	13.9	1100x500	Painted
P2PPSM115G	1033	40.7	353	13.9	1100x500	Conductive
P2PPSM116	1033	40.7	453	17.8	1100x600	Painted
P2PPSM116G	1033	40.7	453	17.8	1100x600	Conductive
P2PPSM118	1033	40.7	653	25.7	1100x800	Painted
P2PPSM118G	1033	40.7	653	25.7	1100x800	Conductive
P2PPSM1110	1033	40.7	853	33.6	1100x1000	Painted
P2PPSM1110G	1033	40.7	853	33.6	1100x1000	Conductive



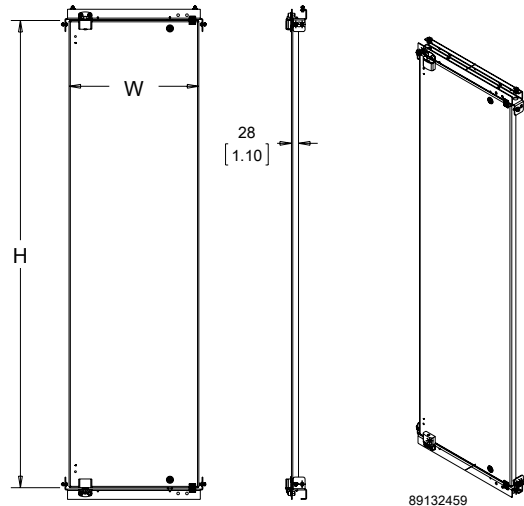
89129474





**FINISH**

- Painted versions:
- Painted polyester powder paint; white
  - Custom colors available



**APPLICATION**

The PROLINE G2 Swing-Out Mounting Subpanel (Mounting Plate) allows a front-mounted subpanel to pivot out of a modular enclosure frame opening.

**FEATURES**

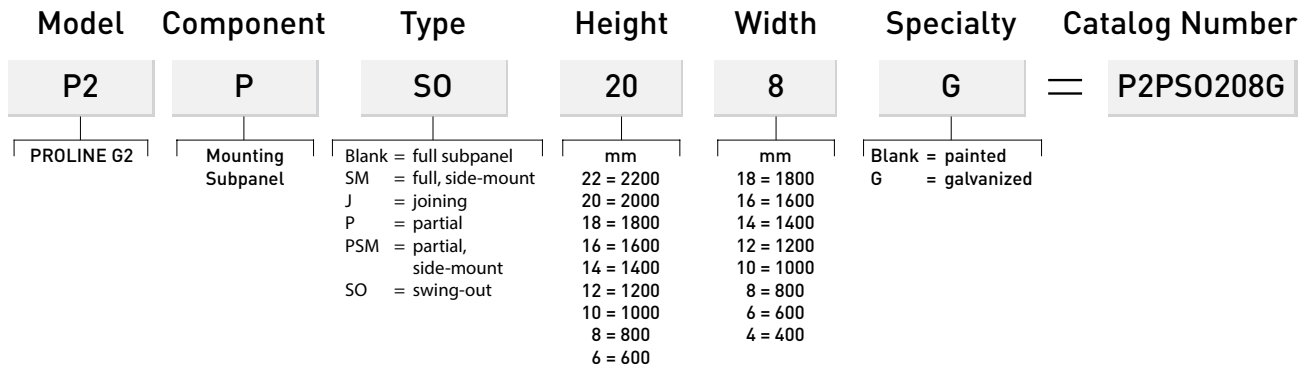
- Panels provide 170 degrees of rotation, with capability to hinge from the right or left side
- Spring-loaded pivot post allows for easy installation
- Conductive or painted versions available

**BULLETIN: P40**

Standard Product

Catalog Number	H mm/in.	W mm/in.	Fits Frame HxW mm	Finish
P2PS0126	1145 45.1	547 21.5	1200 x 600	Painted
P2PS0126G	1145 45.1	547 21.5	1200 x 600	Conductive
P2PS0128	1145 45.1	747 29.4	1200 x 800	Painted
P2PS0128G	1145 45.1	747 29.4	1200 x 800	Conductive
P2PS0146	1345 53.0	547 21.5	1400 x 600	Painted
P2PS0146G	1345 53.0	547 21.5	1400 x 600	Conductive
P2PS0148	1345 53.0	747 29.4	1400 x 800	Painted
P2PS0148G	1345 53.0	747 29.4	1400 x 800	Conductive
P2PS0166	1545 60.8	547 21.5	1600 x 600	Painted
P2PS0166G	1545 60.8	547 21.5	1600 x 600	Conductive
P2PS0168	1545 60.8	747 29.4	1600 x 800	Painted
P2PS0168G	1545 60.8	747 29.4	1600 x 800	Conductive
P2PS0186	1745 68.7	547 21.5	1800 x 600	Painted
P2PS0186G	1745 68.7	547 21.5	1800 x 600	Conductive
P2PS0188	1745 68.7	747 29.4	1800 x 800	Painted
P2PS0188G	1745 68.7	747 29.4	1800 x 800	Conductive
P2PS0206	1945 76.6	547 21.5	2000 x 600	Painted

Catalog Number	H mm/in.	W mm/in.	Fits Frame HxW mm	Finish
P2PSO206G	1945 76.6	547 21.5	2000 x 600	Conductive
P2PSO208	1945 76.6	747 29.4	2000 x 800	Painted
P2PSO208G	1945 76.6	747 29.4	2000 x 800	Conductive
P2PSO226	2145 84.5	547 21.5	2200 x 600	Painted
P2PSO226G	2145 84.5	547 21.5	2200 x 600	Conductive
P2PSO228	2145 84.5	747 29.4	2200 x 800	Painted
P2PSO228G	2145 84.5	747 29.4	2200 x 800	Conductive

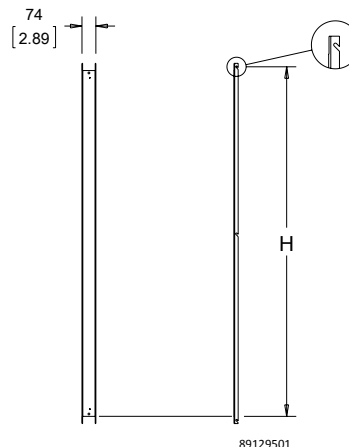




**FINISH**

For painted versions:

- Painted polyester powder paint; white
- Custom colors available



**APPLICATION**

The PROLINE G2 Joining Subpanel provides a continuous panel surface in multiple-bay enclosures. The joining subpanel is inserted between full subpanels of equal height. It can be installed from front or rear.

**FEATURES**

- Provides a continuous panel surface in multiple bay enclosures
- Can be inserted between full mounting subpanels of equal height
- Painted or galvanized options

**SPECIFICATIONS**

- Can be installed from front or rear
- Subpanels can be mounted at any depth in 25-mm increments (front to back)
- Heights greater than or equal to 1400 mm are 10 gauge (3.0 mm) mild steel; heights less than 1400mm are 12 gauge (2.5 mm)

**BULLETIN: P40**

Catalog Number	H (mm)	H (in.)	Fits Frame Height mm	Description
P2PJ6	506	19.9	600	Painted
P2PJ6G	506	19.9	600	Conductive
P2PJ8	706	27.8	800	Painted
P2PJ8G	706	27.8	800	Conductive
P2PJ10	906	35.7	1000	Painted
P2PJ10G	906	35.7	1000	Conductive
P2PJ12	1106	43.5	1200	Painted
P2PJ12G	1106	43.5	1200	Conductive
P2PJ14	1306	51.4	1400	Painted
P2PJ14G	1306	51.4	1400	Conductive
P2PJ16	1506	59.3	1600	Painted
P2PJ16G	1506	59.3	1600	Conductive
P2PJ18	1706	67.2	1800	Painted
P2PJ18G	1706	67.2	1800	Conductive
P2PJ20	1906	75.0	2000	Painted
P2PJ20G	1906	75.0	2000	Conductive
P2PJ22	2106	82.9	2200	Painted
P2PJ22G	2106	82.9	2200	Conductive

<b>Model</b>	<b>Component</b>	<b>Type</b>	<b>Height</b>	<b>Specialty</b>	<b>Catalog Number</b>
P2	P	J	20	G	= P2PJ208G
PROLINE G2	Mounting Subpanel	Blank = full subpanel SM = full, side-mount J = joining P = partial PSM = partial, side-mount SO = swing-out	mm 22 = 2200 20 = 2000 18 = 1800 16 = 1600 14 = 1400 12 = 1200 10 = 1000 8 = 800 6 = 600	Blank = painted G = galvanized	

NOTE: Not every combination is available as a standard product.

**PANEL SUPPORT BRACKET**



**APPLICATION**

The panel support bracket can be used in the vertical center sides of the PROLINE G2 Mounting Subpanel to provide additional subpanel support.

**SPECIFICATIONS**

- Set of 2 brackets
- Attaches to frame using BV-M6 fastener
- Attaches to subpanel using a hex bolt
- Mounting hardware included
- Galvanized steel

**BULLETIN: P40**

Catalog Number	Description	Qty.
P2APSB	Panel Support Bracket	2

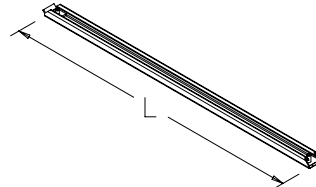
**PANEL SUPPORT BRACE**



Panel Support Braces give additional support to single- and double-bay panels in heavy loading applications and minimize the vibration created by components mounted on the panel. Braces can be installed on existing systems without removing the panel. Panel support braces are furnished in pairs. Braces are unpainted galvanized steel.

**BULLETIN: P20**

Catalog Number	L (mm)	L (in.)	Fits Panel Width (mm)
PSB10	911	35.87	1000
PSB12	1111	43.74	1200
PSB16	1511	59.49	1600
PSB18	1711	67.36	1800



87799841

**PROLINE GROUNDING KIT**



The Grounding Kit allows a PROLINE or PROLINE G2 enclosure to be grounded to VDE specifications. Includes six 12-gauge wires 411 mm (16.19) long with ring terminations and M6 mounting hardware.

**BULLETIN: P20**

Catalog Number	Wire Size	Length Between Ring Terminals mm/in.	Ring Terminal Hole Diameter mm/in.
PGK	12 ga.	411 / 16.19	7 / .29