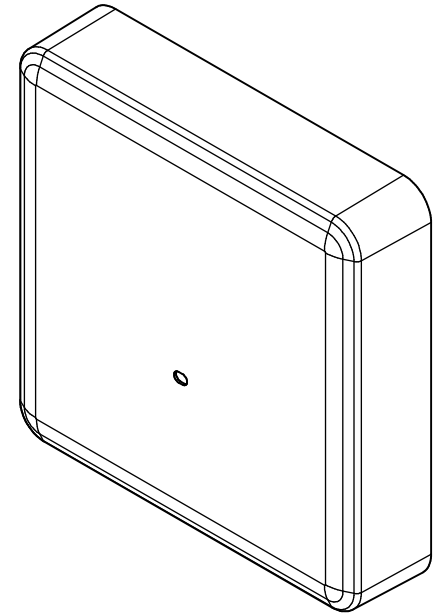
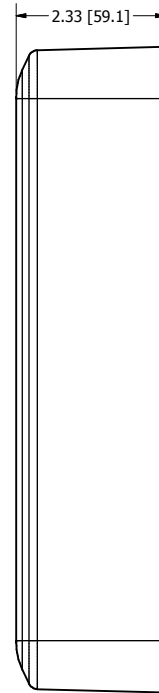
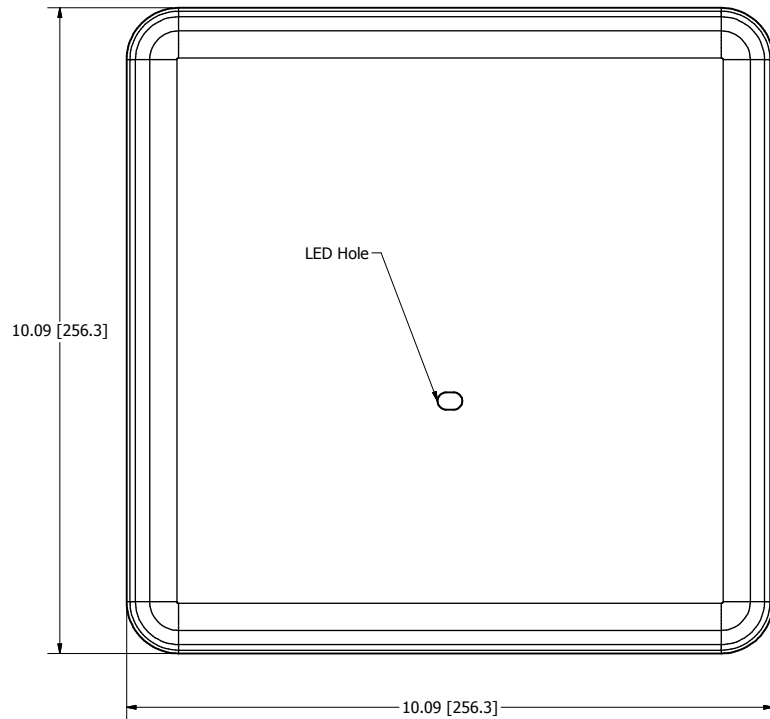
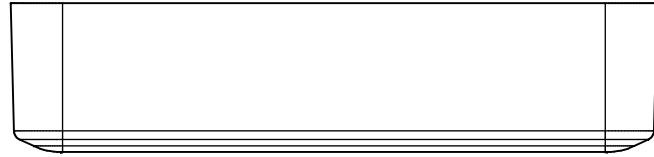


REVISION HISTORY				
ZONE	REV	DESCRIPTION	DATE	APPROVED
All	1	Released	6/25/2018	ATK



ISOMETRIC VIEW

NOTE:

- Material: .090" Thick Black Textured ABS/PVC Alloy
- UL Listings: UL 94 V-0, UL 94 5VA
- Fits Cisco 4800 series APs
- Includes: Four Dual Lock Adhesive Backed Pads

NOTE: All materials used in the construction of Oberon products must be RoHS compliant. Contact Oberon engineering if RoHS compliant materials are not available.

DRAWN ATK	6/25/2018	Oberon, Inc. - 1315 S. Allen St. - State College, PA 16801		
CHECKED ATK	6/25/2018	TITLE		
QA		33-COAP4800-CVR		
MFG ATK	6/25/2018	SIZE C	DWG NO 33-COAP4800-CVR	REV 1
APPROVED ATK	6/25/2018	SCALE	SHEET 1 OF 1	
TOLERANCE:	.0 = +/- .030 .00 = +/- .015 .000 = +/- .005			