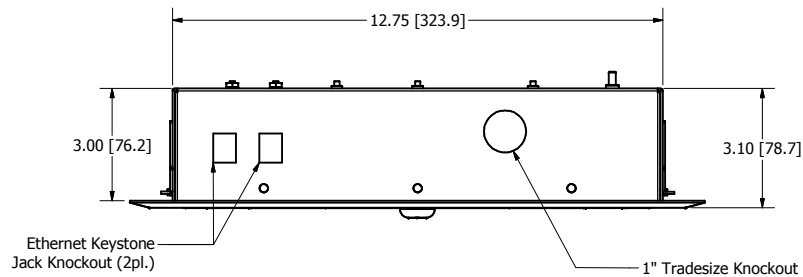
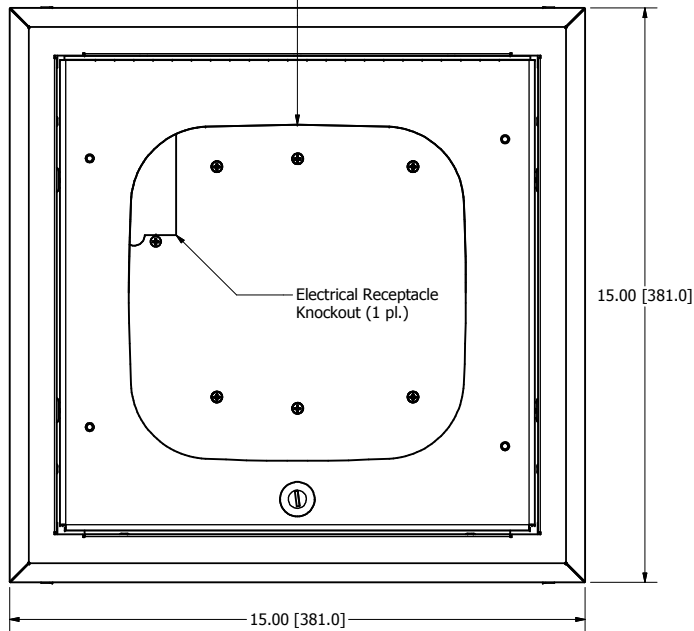
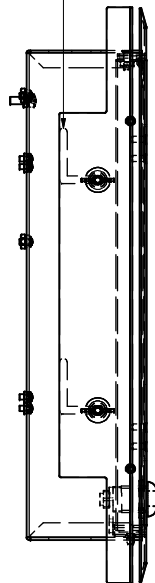


REVISION HISTORY				
ZONE	REV	DESCRIPTION	DATE	APPROVED
All	1	Released	1/31/2018	ATK

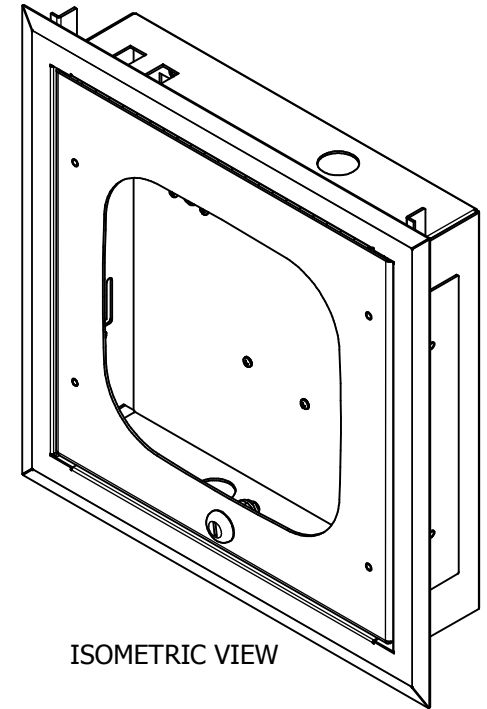
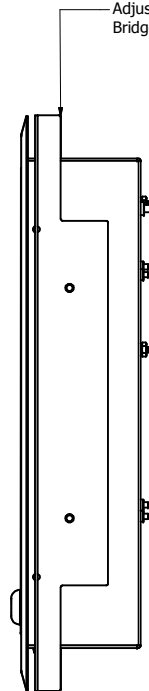


Opening In Door For Cisco 1040, 1140, 1260, 2600, 3500, & 3600 Series Access Points. Provided Mounting Plate Designed To Be Used With Cisco AIR-AP-BRACKET-1 or AIR-AP-BRACKET-2

"L" Slots Provide Adjustability For The Wall Bridge



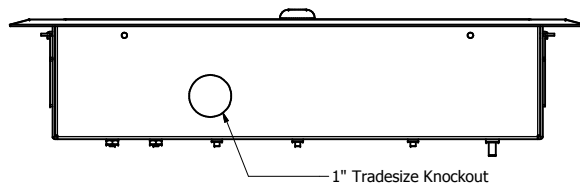
Adjustable Wall Bridge (2 pl.)



ISOMETRIC VIEW

NOTES:

- UL Listed NWIN: File No. E348543
- Weight: 11 lbs.
- Material: 16 Ga. Galvaneal Backbox
14 Ga. White Powder Coated Steel Door
18 Ga. White Powder Coated Steel Flange
- Includes: (2) Wall Bridge
(1) Mounting Plate
(4) No. 8-32 Hex Nut
(1) Fire Stop Grommet
(4) Eyebolt
(1) Caddy Speed Link™ support wire



DRAWN	4/3/2013	Oberon, Inc. - 1315 S. Allen St. - State College, PA 16801		
CHECKED		TITLE		
MDA	4/3/2013	Model 1076-CCOAP		
QA				
MFG	4/3/2013	SIZE	DWG NO	REV
MDA		C	2006	1
APPROVED		SCALE	SHEET 1 OF 1	
MDA	4/3/2013			
TOLERANCE:	.0 = +/- .030 .00 = +/- .015 .000 = +/- .005			