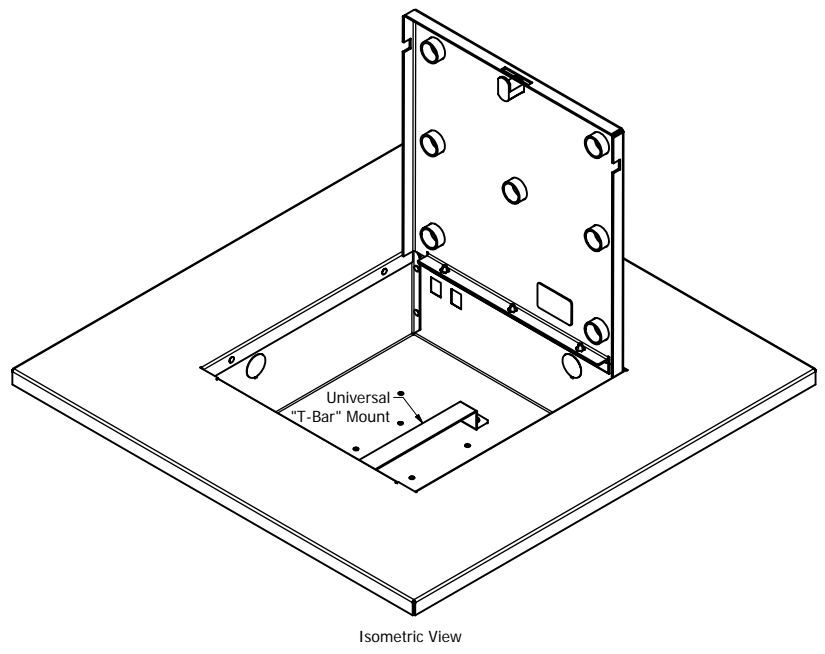
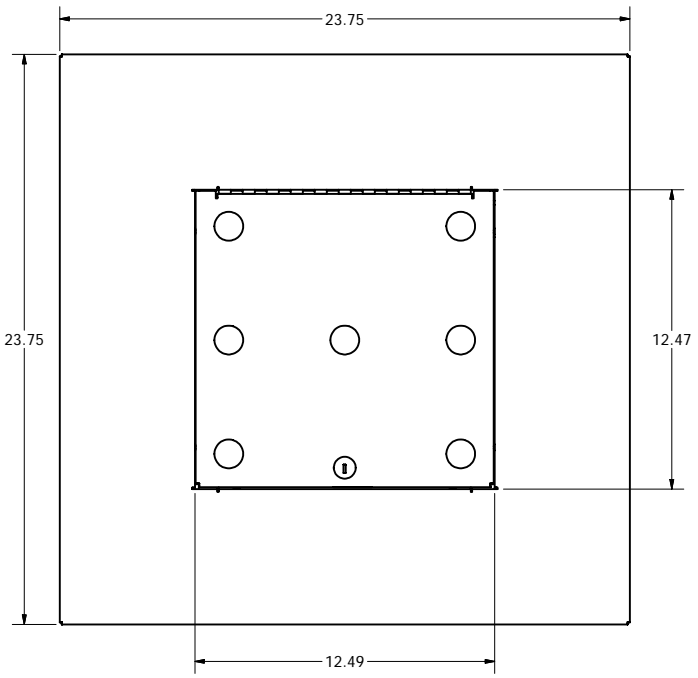


REVISION HISTORY				
ZONE	REV	DESCRIPTION	DATE	APPROVED
All	5	Added T-Bar Mount	1/18/2013	RLC



- NOTES:**
- UL Listed NWIN: File No. E348543
  - OSHPD Approved: File No. OPA-1638-10
  - Weight: 13 lbs.
  - Material: 16 Ga. Galvanized Steel Backbox  
14 Ga. White Powder Coated Steel Door  
18 Ga. White Powder Coated Steel Flange
  - Includes: (4) Wire Hangers  
Mounting Hardware  
Fireblock Foam Kit

DRAWN	rick	1/18/2013	Oberon, Inc. - 1315 S. Allen St. - State College, PA 16801	
CHECKED	RLC	1/18/2013	TITLE	
QA			Model 1052-00 Enclosure	
MFG	RLC	1/18/2013	SIZE	DWG NO
APPROVED	RLC	1/18/2013	C	1052-00
TOLERANCE:	.0 = +/- .030		SCALE	REV
	.00 = +/- .015			5
	.000 = +/- .005		SHEET 1 OF 1	