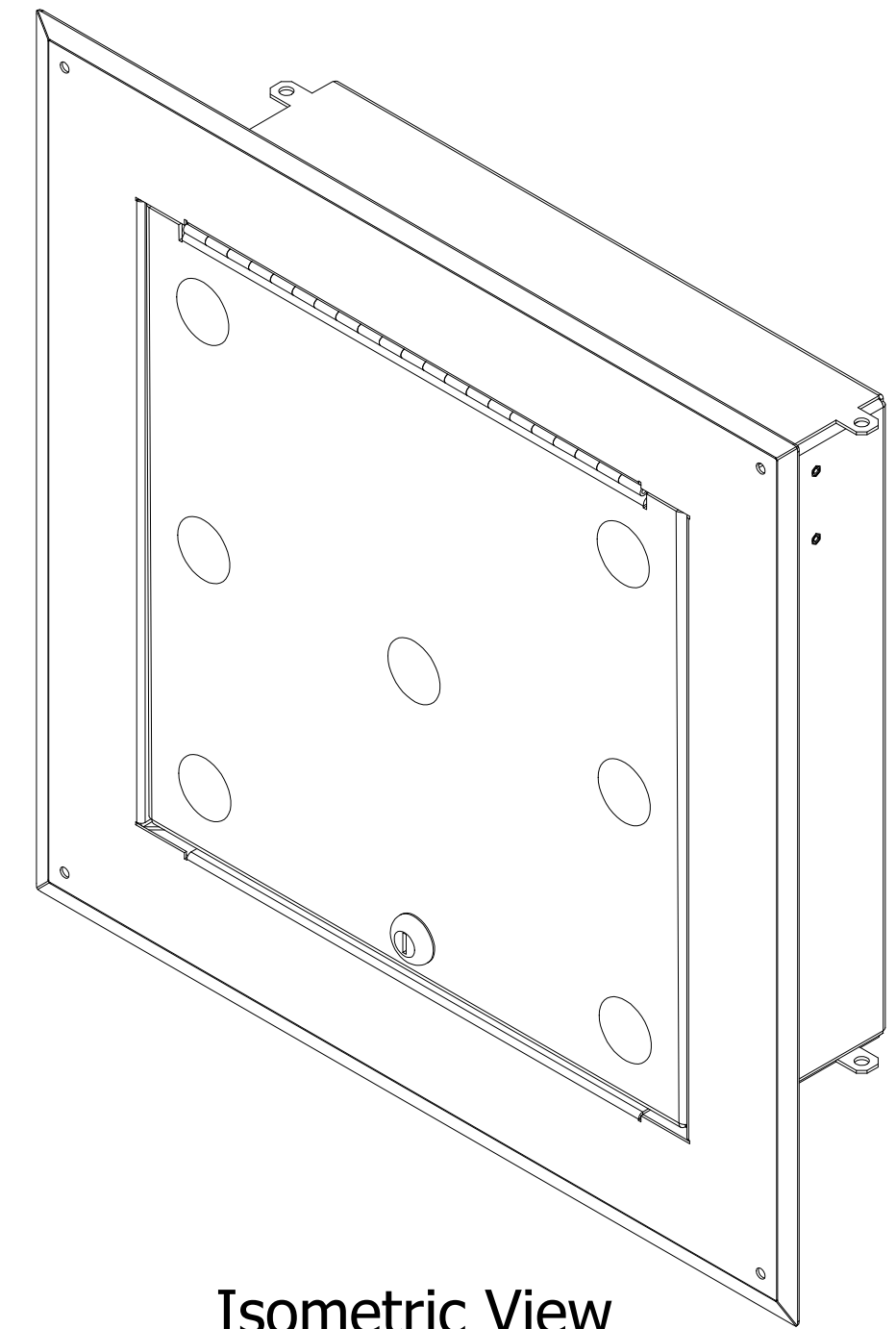
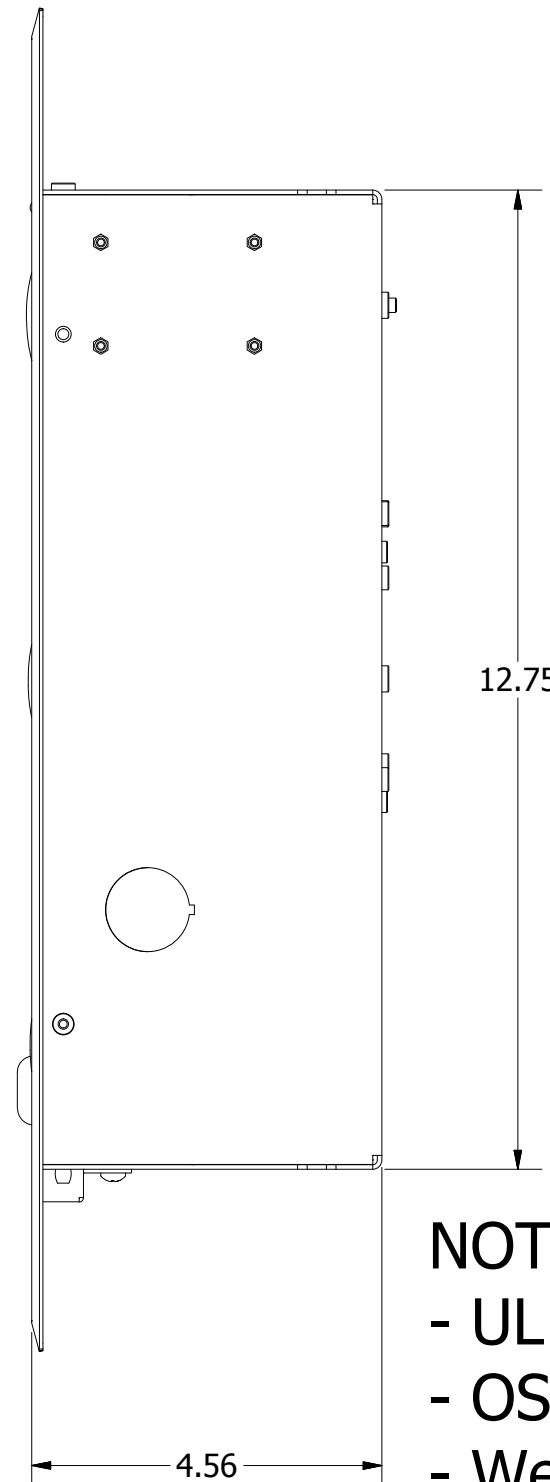
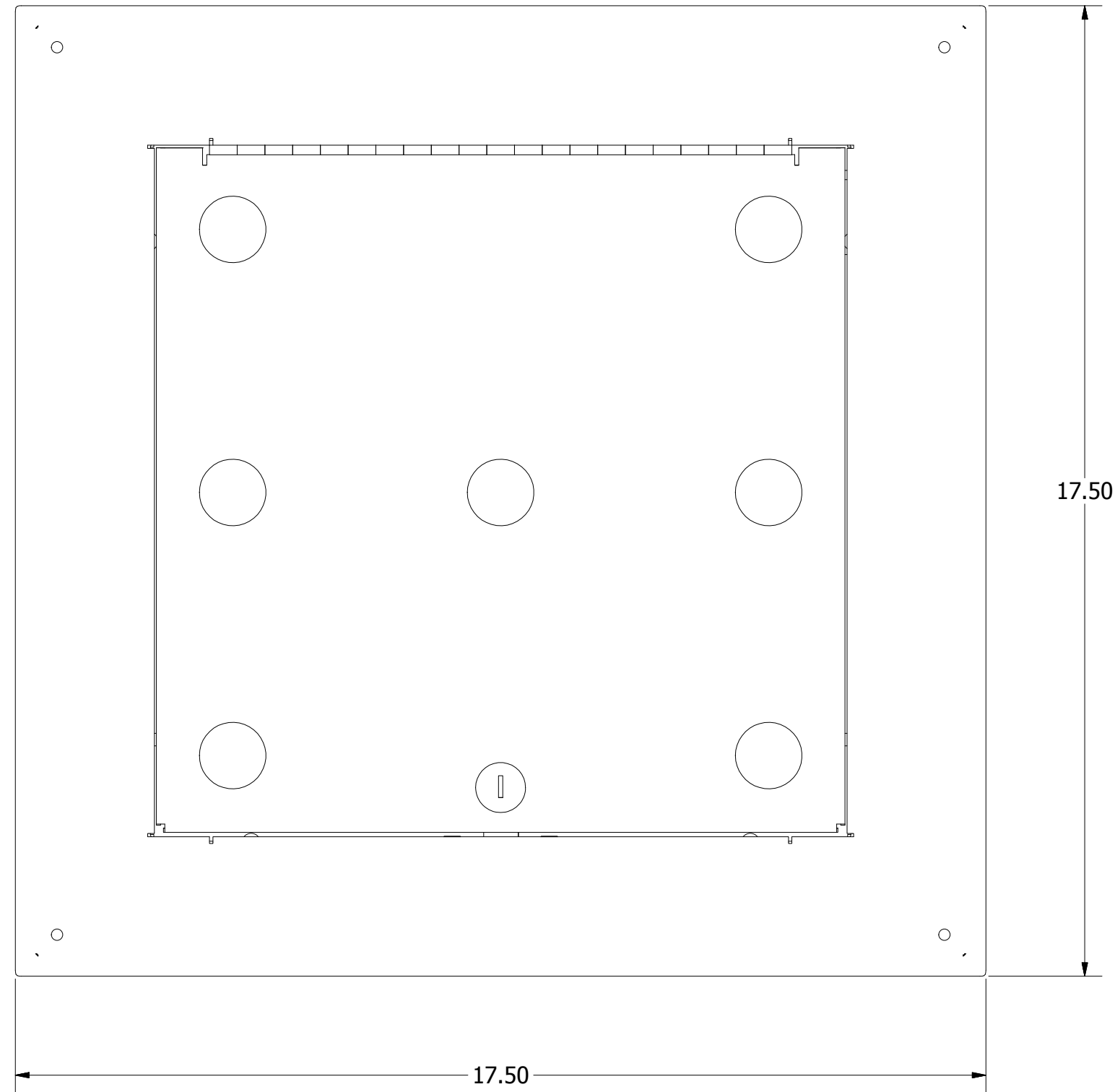


REVISION HISTORY				
ZONE	REV	DESCRIPTION	DATE	APPROVED
All	7	Released	8/15/2012	EAS



Isometric View

NOTES:

- UL Listed NWIN: File No. E348543
- OSHPD Approved: File No. OPA-1638-10
- Weight: 12 lbs.
- Material: 16 Ga. Galvanized Steel Backbox
14 Ga. White Powder Coated Steel Door
18 Ga. White Powder Coated Steel Bezel
- Includes: (4) Wire Hangers
(1) Universal T-Bar Bracket
(1) Fire Stop Foam Kit
(4) Snap Caps

DRAWN	EAS	2/25/2014	Oberon, Inc. - 1315 S. Allen St. - State College, PA 16801	
CHECKED	EAS	2/25/2014	TITLE	
MFG	EAS	2/25/2014	Model 1051-00 Customer Print	
APPROVED	EAS	2/25/2014	SIZE	DWG NO
TOLERANCE:		.0 = +/- .030	C	Model1051-00_Customer_Print
		.00 = +/- .015		
		.000 = +/- .005		
			SCALE	REV
				SHEET 1 OF 1