

4

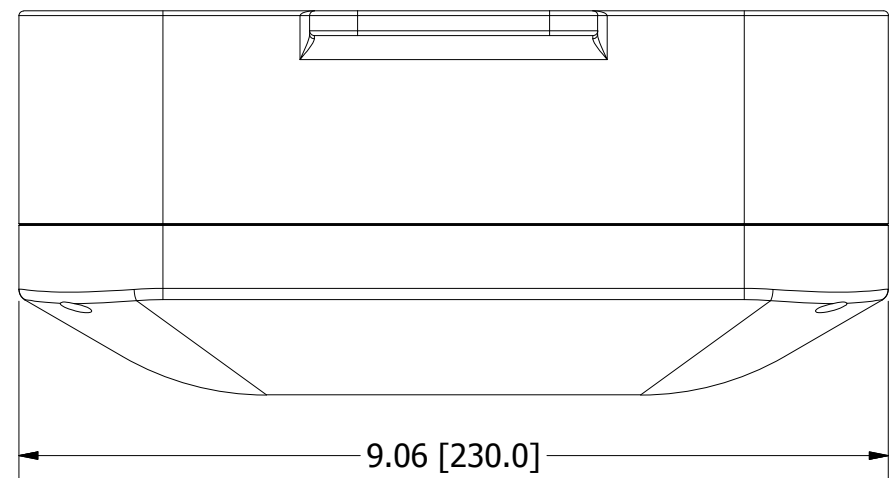
3

2

1

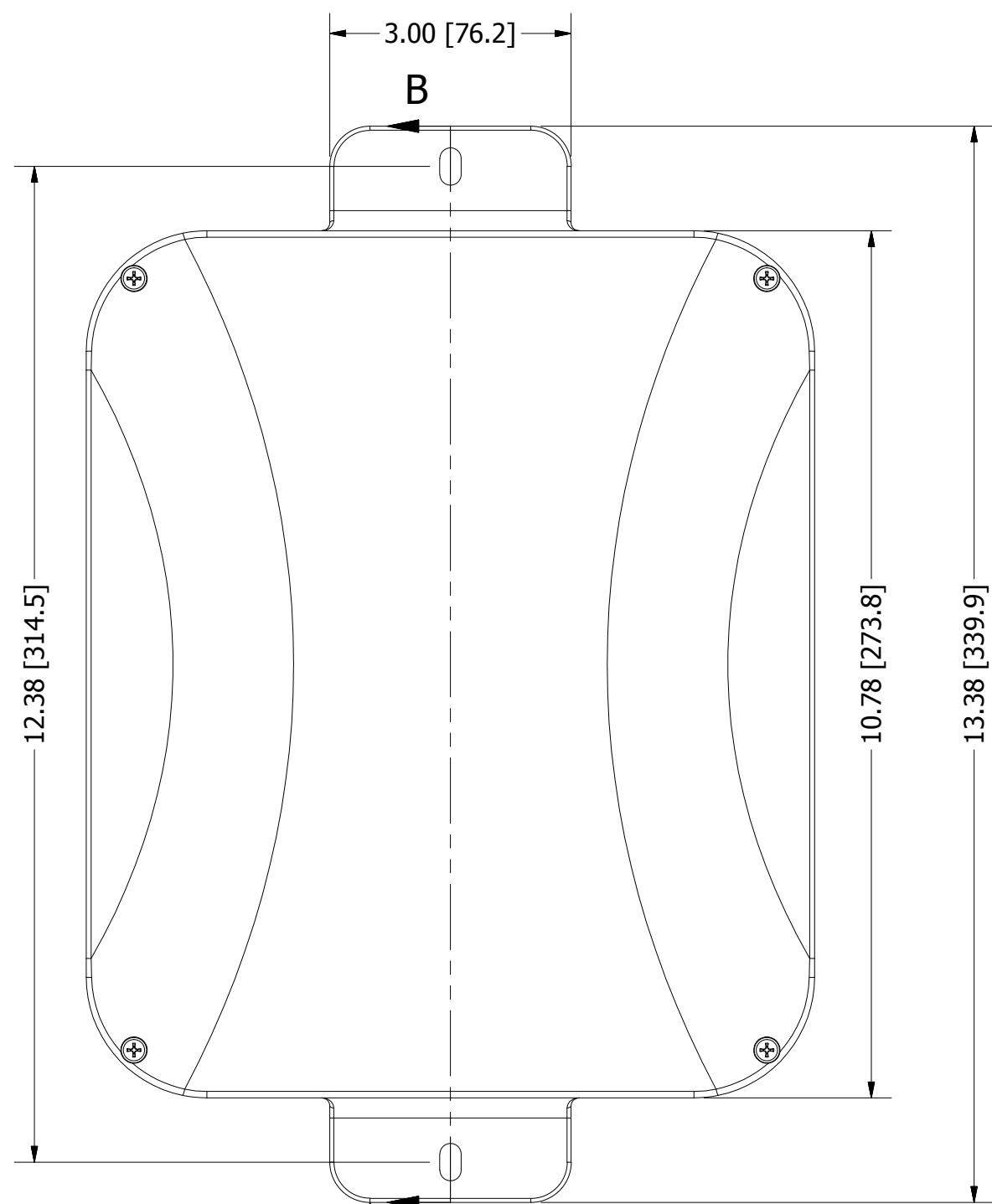
D

D



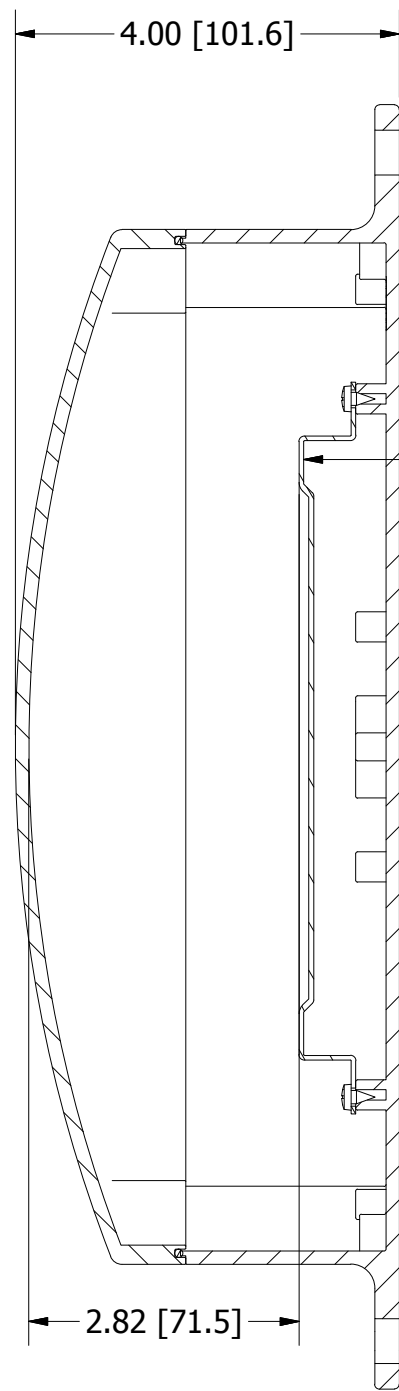
C

C

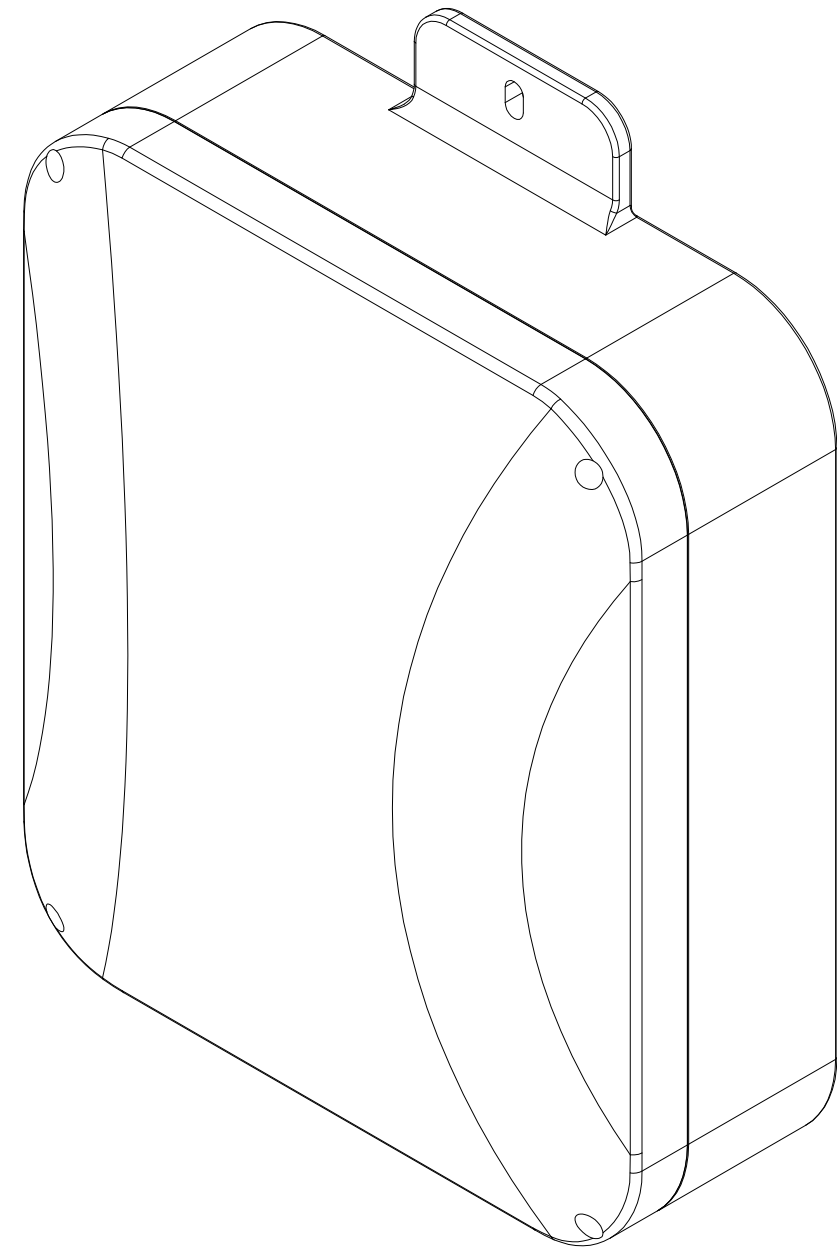


B

B



SECTION B-B  
SCALE 1 / 2



ISOMETRIC VIEW

**NOTE:**

- Material:
  - Base: Gray Textured UL94-V0 Polycarbonate
  - Cover: Clear Frosted Textured UL94-V0 Polycarbonate
- Includes:
  - (1) UL94-V0 Polycarbonate NEMA 4 Enclosure
  - (1) T-Bar Bracket (1)
  - (4) #6 x 1/4" Pan Head Screws
  - (4) #6 x 3/8" Flat Head Screws
  - (4) Cushioning Washers
  - (4) M4 x 20mm Captured Lid Screws
  - (4) M4 x 20mm Torx Captured Lid Screws

A

A

A

A

DRAWN	EAS	1/14/2014	Oberon, Inc. - 1315 S. Allen St. - State College, PA 16801		
CHECKED	EAS	1/14/2014	TITLE		
MFG	EAS	1/14/2014	Model 1020-C Customer Print		
APPROVED	EAS	1/14/2014	SIZE	DWG NO	REV
TOLERANCE:		.0 = +/- .030	C	3082	D
		.00 = +/- .015			
		.000 = +/- .005			
			SCALE	SHEET 1 OF 1	

4

3

2

1