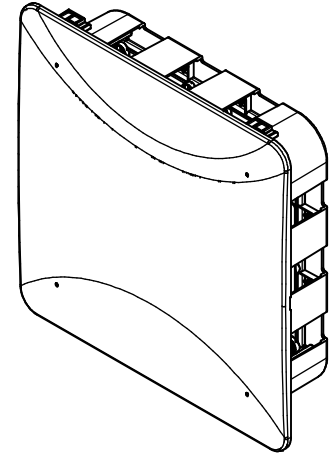
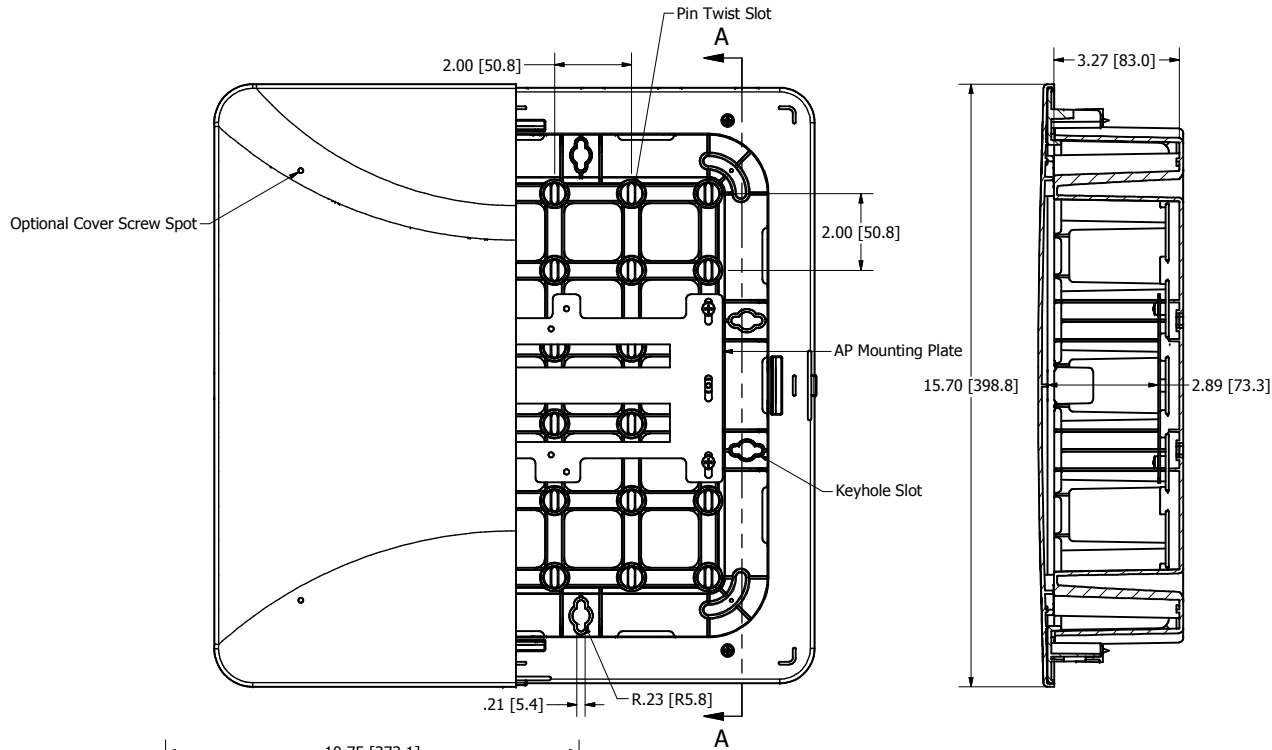
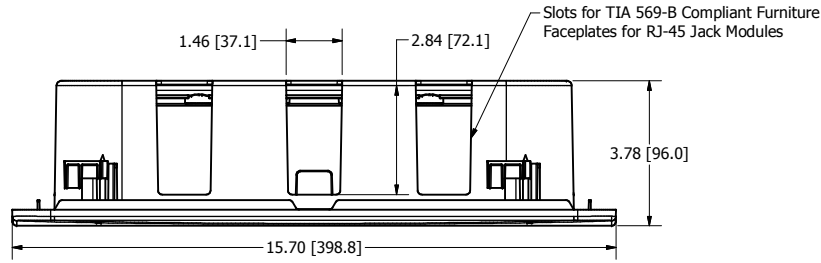


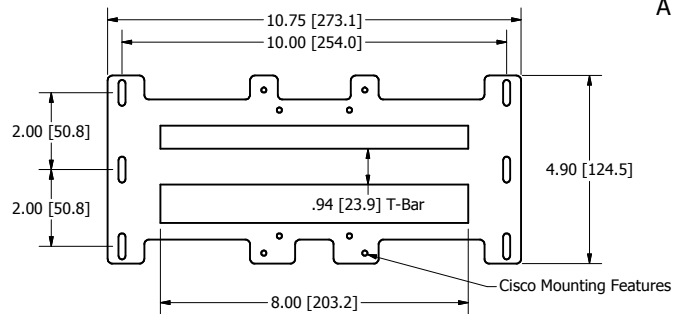
REVISION HISTORY				
ZONE	REV	DESCRIPTION	DATE	APPROVED
All	A	Released	9/8/2017	EAS



SECTION A-A
SCALE 1 / 2.5

Note:

- Material: FR PC+ABS Recess Box, Bezel, and Cover
- Includes:
 - (1) Recess, Bezel, and Cover
 - (1) Spare Swivel Fastener
 - (6) Cable Organizer Pins
 - (1) AP Mounting Plate
 - (4) #4-24A x 1-1/2" Screw
 - (4) #6-19B x 1/4" Screw
 - (4) #8-18A x 1/4" Sheet Metal Screw



AP Mounting Plate

DRAWN	EAS	9/8/2017	Oberon, Inc. - 1315 S. Allen St. - State College, PA 16801	
CHECKED	EAS	9/8/2017	TITLE	
QA			Model 1019-RM Customer Print	
MFG	EAS	9/8/2017	SIZE	DWG NO
APPROVED	EAS	9/8/2017	C	2998
TOLERANCE:	.0 = +/- .030		SCALE	
	.00 = +/- .015			
	.000 = +/- .005			
			SHEET 1 OF 1	