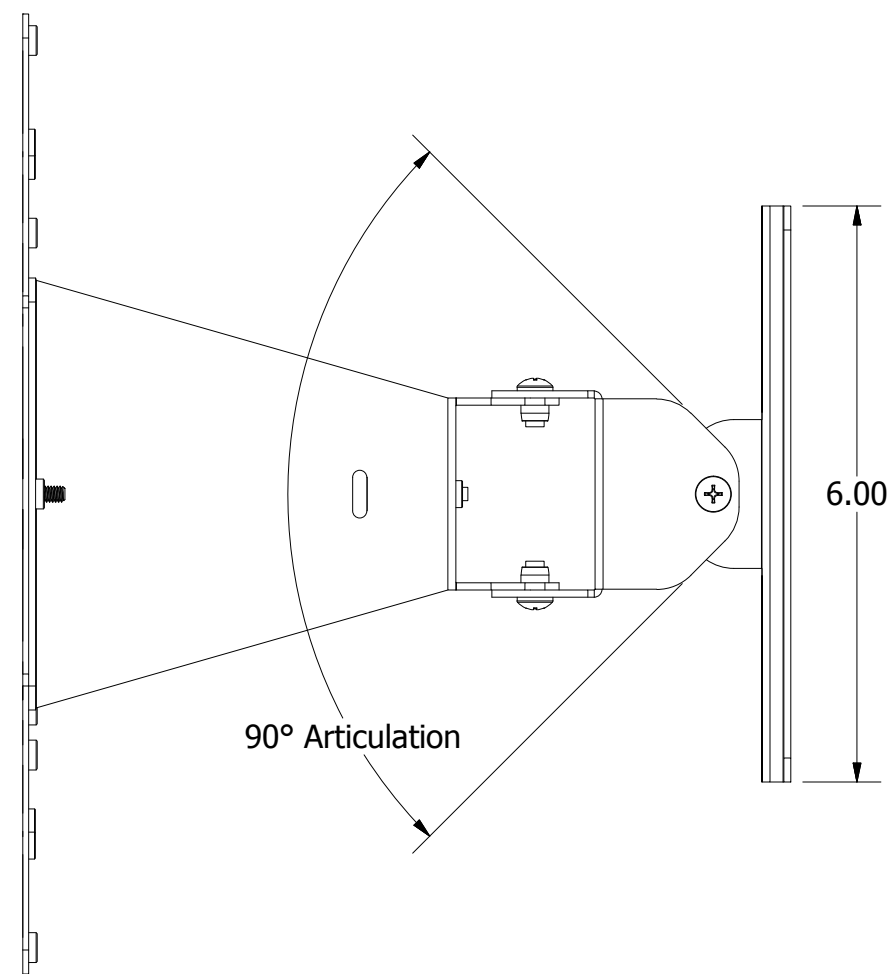
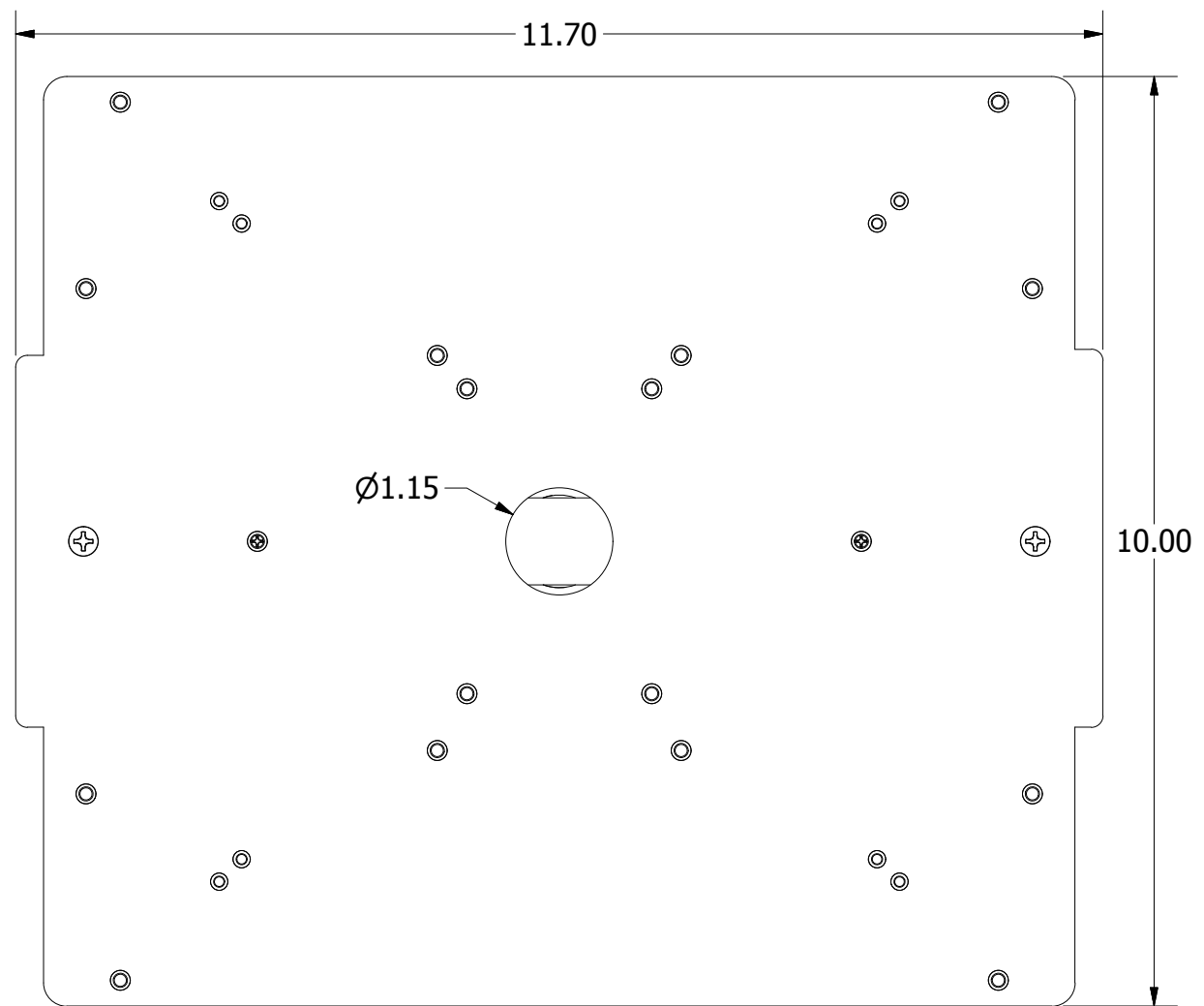
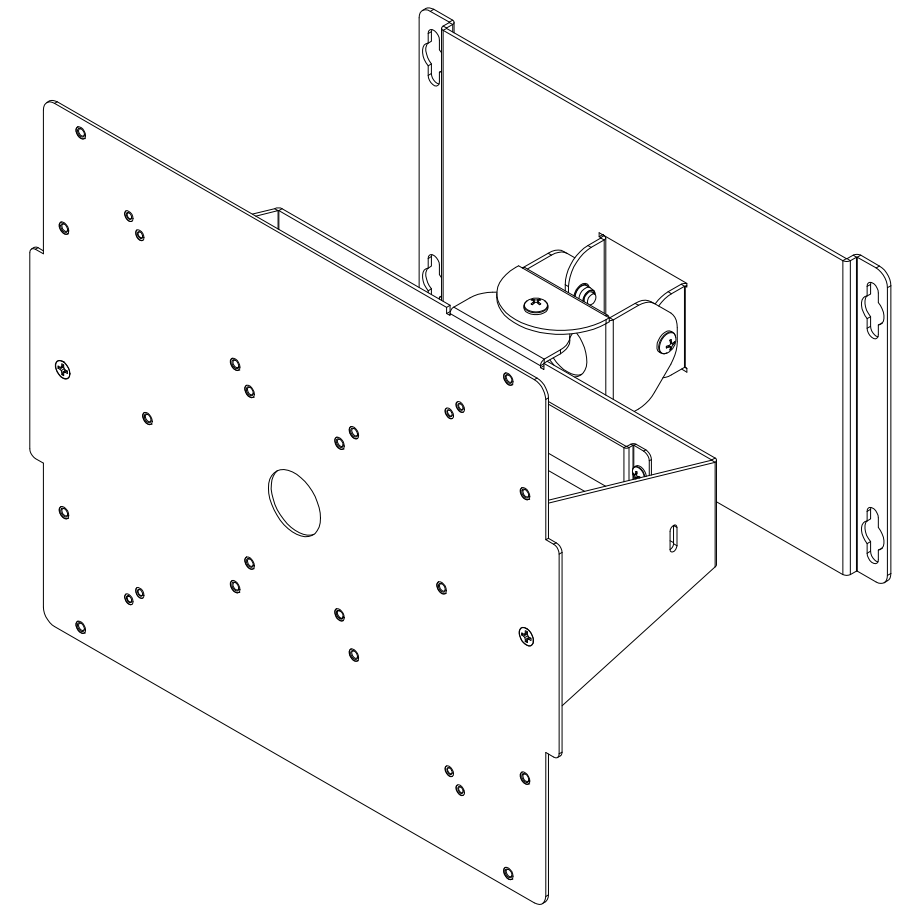
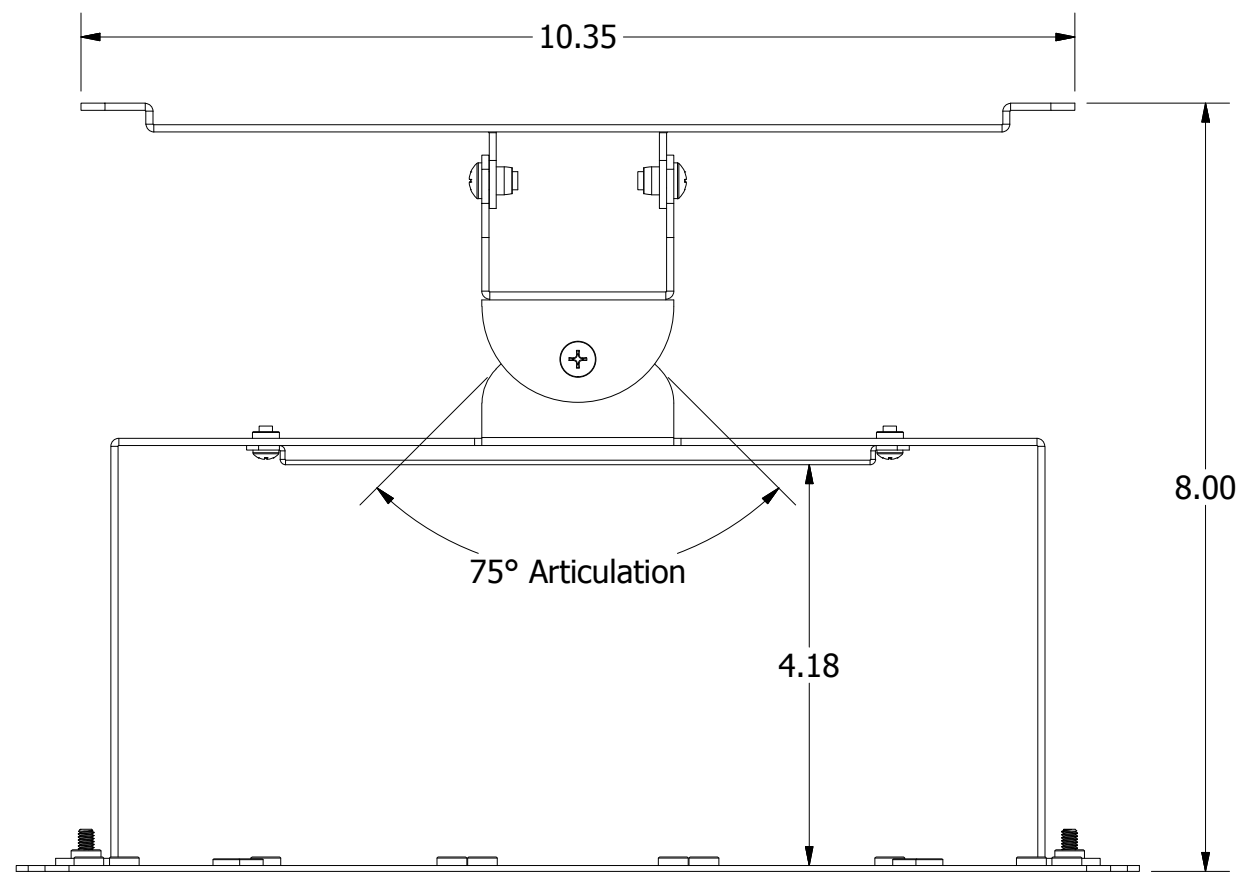


REVISION HISTORY				
ZONE	REV	DESCRIPTION	DATE	APPROVED
All	1	Released	7/30/2014	EAS



NOTE:

- Bracket: 14 Ga. White Powdercoated Steel
- Mounting Plate: 16 Ga. White Powdercoated Steel
- Includes: (4) 8-32x3/16" Pan Head Screws
- (4) 8-32x5/8" Pan Head Screws
- (4) 8-32x7/16" Flat Head Screws
- (4) 6-32x1/2" screws
- (2) 6-32x1/4" screws
- (1) T-Bar
- (2) Wire Ties
- (4) Dual-Lock Tabs

Mounting Plate for the following:

- Cisco AIR-AP-BRACKET-1,
AIR-AP-BRACKET-2
- Cisco Antenna AIR-ANT2566P4W-R,
AIR-ANT2566D4M-R
- Aruba Networks Antenna AP-ANT-17,
AP-ANT-18, AP-ANT-25, AP-ANT-35,
AP-ANT-28, and AP-ANT-38

DRAWN	7/30/2014	Oberon, Inc. - 1315 S. Allen St. - State College, PA 16801		
CHECKED		TITLE		
EAS	7/30/2014	Model 1013-00 Customer Print		
QA		SIZE	DWG NO	REV
MFG		C	2242	1
EAS	7/30/2014	SCALE	SHEET 1 OF 1	
APPROVED				
EAS	7/30/2014			
TOLERANCE:	.0 = +/- .030 .00 = +/- .015 .000 = +/- .005			