

4 MP HQA WDR IR Mini Dome Cameras

HD72HD4/HD274HD4

Supercharge your analog security system with Honeywell's HQA technology for high definition 4 MP images over your existing coax infrastructure. The Performance Series 4 MP HQA line includes a wide range of high performing IR cameras that are easy to install and even easier to use.

Superior Image Quality

- Full HD 4 MP 15 fps image (25/30 fps @ 1080p) with a 1/3" 4.1 MP sensor
- Long distance transmission over coaxial cable with low attenuation and latency—up to 1,640 ft (500 m) using RG-59
- True Day/Night provides vivid color images by day and clear black-and-white images at night with ICR
- Excellent low-light performance with 2D/3D noise reduction

Flexible Surveillance Solution

- 2.8 mm fixed lens (HD72HD4) or 2.7-12 mm VF lens (HD274HD4)
- IR LEDs provide up to 100 ft (30 m) of illumination in dimly lit or nighttime scenes (depending on scene reflectance)
- Smart IR technology provides even distribution of IR
- Weatherproof (IP66) and impact-resistant (IK10) camera housing
- -22°F to 140°F (-30°C to 60°C) working temperature
- Plug-and-play compatible with Honeywell HRHT 4/8/16-channel Performance Series HQA DVRs

Easy to Install and Use

- HD72HD4: 12 VDC power input; HD274HD4: 12 VDC/24 VAC power input
- Uses existing BNC cabling—no rewiring required
- Compatible with Honeywell's HQA-WK wall mount
- Remote configuration through web client or from the DVR



HD72HD4



HD274HD4

These flexible, fully featured cameras are ideal for a wide range of surveillance applications, providing excellent picture quality at an affordable price.

FEATURES

- Low-light performance down to 0.01 lux (color) or 0 lux with IR LEDs on
- 120 dB True WDR supported
- HQA/CVBS video output
- Pole mount and corner mount options available

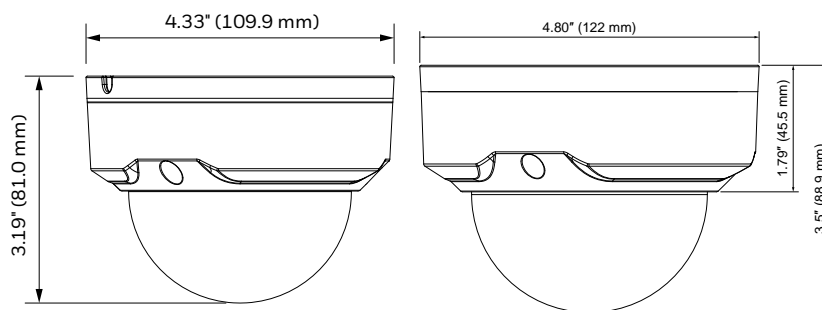
4 MP HQA WDR IR Mini Dome Cameras

SPECIFICATIONS

OPERATIONAL		MECHANICAL	
VIDEO STANDARD	NTSC/PAL	DIMENSIONS	HD72HD4: $\Phi 4.3 \times 3.2$ in. ($\Phi 109.9 \times 81.0$ mm)
SCANNING SYSTEM	Progressive scan		HD274HD4: $\Phi 4.8 \times 3.5$ in. ($\Phi 122.0 \times 88.9$ mm)
IMAGE SENSOR	1/3" 4.1 MP CMOS	WEIGHT	HD72HD4: 0.73 lb. (0.33 kg) HD274HD4: 1.06 lb. (0.48 kg)
NUMBER OF PIXELS (H×V)	2688 (H) x 1520 (V)	CONSTRUCTION	Die-cast aluminum housing
ELECTRONIC SHUTTER SPEED	NTSC: 1/3 – 1/100 000 s; PAL: 1/4 – 1/100 000 s	COLOR	RAL 9003 (White)
MINIMUM ILLUMINATION	HD72HD4: 0.01 lux @ F1.5 (color) 0 lux (B/W with IR LEDs on) HD274HD4: 0.01 lux @ F1.3 (color) 0 lux (B/W with IR LEDs on)	ENVIRONMENTAL	
S/N RATIO	65 dB or more	OPERATING TEMPERATURE	-22°F to 140°F (-30°C to 60°C) *Startup should be done at above -22°F (-30°C)
RESOLUTION	4 MP (2560 x 1440)	STORAGE TEMPERATURE	-22°F to 140°F (-30°C to 60°C)
FRAME RATE	15 fps @ 4 MP; 25/30 fps @ 1080p, 720p	RELATIVE HUMIDITY	0–90%, non-condensing
VIDEO OUTPUT	1-channel BNC high definition video output; 1-channel BNC CVBS video output	INGRESS PROTECTION	IP66
IR LEDs	HD72HD4: 12; HD274HD4: 2	IMPACT RESISTANCE	IK10
IR DISTANCE	Up to 100 ft (30 m), depending on scene reflectance	REGULATORY	
DAY/NIGHT	Auto (ICR)/Color/BW	EMISSIONS	FCC PART 15B
NOISE REDUCTION	2D/3D	SAFETY	UL60950-1
LENS	HD72HD4: 2.8 mm Fixed HD274HD4: 2.7-12 mm VF	SYSTEM COMPATIBILITY	
PRIVACY MASKING	Up to 8 configurable areas	HRHT	Hybrid 4 MP HQA DVRs
HORIZONTAL ANGLE OF VIEW	HD72HD4: 79°; HD274HD4: 98°-26°	MOUNTS	
ELECTRICAL		WALL MOUNT	HQA-WK2
POWER SUPPLY	HD72HD4: 12 VDC $\pm 25\%$ HD274HD4: 12 VDC $\pm 25\%$ / 24 VAC $\pm 25\%$	JUNCTION BOX	HQA-BB2
POWER CONSUMPTION	HD72HD4: 4.4 W max. (IR LEDs on) HD274HD4: 10.1 W max. (IR LEDs on)	POLE MOUNT (REQUIRES HQA-BB2)	HQA-PM2
		CORNER MOUNT (REQUIRES HQA-BB2)	HB34S2-CM

HD72HD4

HD274HD4



ORDERING

HD72HD4	4MP Analog Rugged Dome Camera, WDR 120dB, 1/3" CMOS, 2.8mm, 12 IR LEDs, TDN, HQA/SD, 12VDC, IP66/IK10
HD274HD4	4MP Analog Rugged Dome Camera, WDR 120dB, 1/3" CMOS, 2.7-12mm MFZ Lens, 2 IR LEDs, TDN, HQA/SD, 12VDC/24VAC, IP66/IK10

For more information

www.security.honeywell.com

Honeywell Commercial Security

715 Peachtree St. NE
Atlanta, GA 30308
1.800.323.4576
www.honeywell.com

Honeywell reserves the right, without notification, to make changes in product design or specifications.

HCS-4MPIRMD-02-US(0419)DS-E
© 2019 Honeywell International Inc.

Honeywell