

Symmetra® LX Physical Installation Guide Tower UPS

For use with Symmetra LX UPS Models:

200 V, 4.8 kVA	200 V, 4.16 kVA
208/240 V, 4.8 kVA	208/240 V, 4.16 kVA
220/230/240 V, 4.8 kVA	220/230/240 V, 4.16 kVA

Important Safety and Installation Instructions

Symmetra LX is a scalable, redundant UPS for data centers and high availability applications. Install the UPS as shown in this guide.

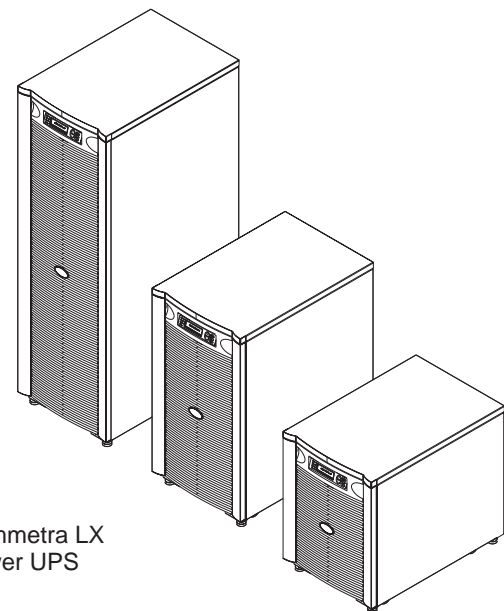
Your configuration may include the optional Symmetra LX Extended Run Cabinet.

See and retain the product documentation shipped with your system for other important installation, operation, and maintenance instructions.

Illustrations are representative. Your Symmetra LX configuration, including components and optional APC equipment, may be different from the models shown in this guide.

Entire contents copyright 2005 by American Power Conversion Corporation. All rights reserved. Reproduction in whole or in part without permission is prohibited.

APC, the APC logo, PowerChute, InfraStruXure, Smart-UPS and Symmetra are registered trademarks of American Power Conversion Corporation. All other trademarks are the property of their respective owners.



Physical Installation



Electrical
Hazard

Read, understand and follow ALL safety instructions contained in the *Symmetra® LX Safety Instructions and General Information Guide*. Failure to follow safety instructions and warnings could result in equipment damage, serious injury, or death.

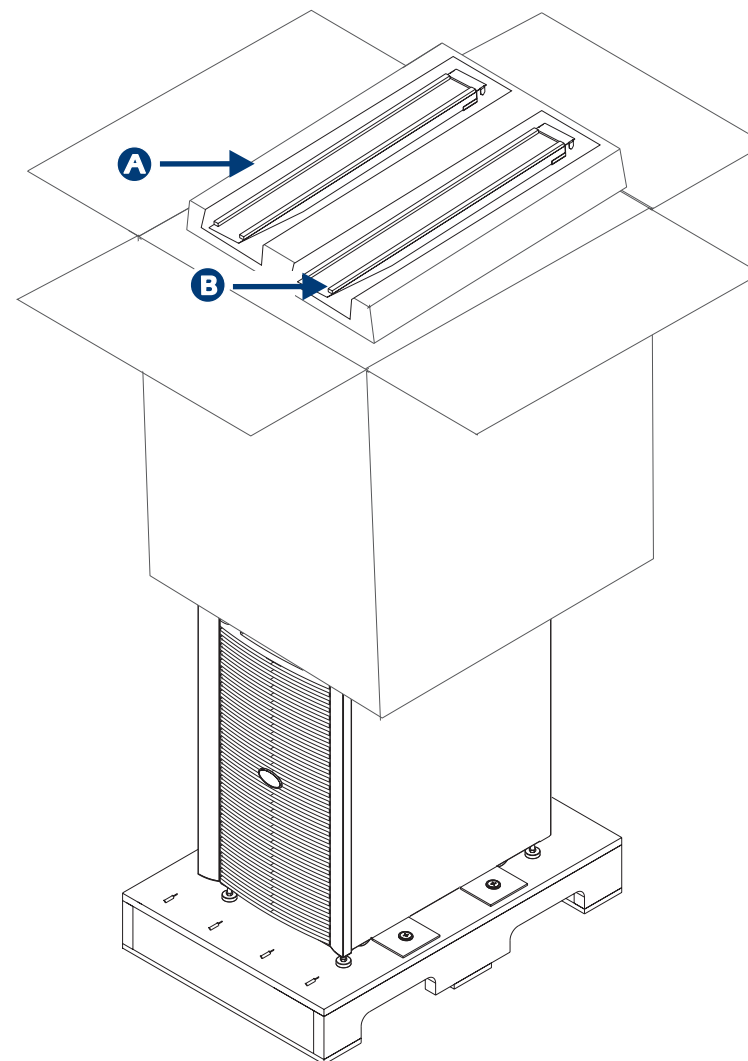
1.1 Unpack Equipment



Note

The use of a cart or forklift may aid in transporting the pallet to the installation site.

- 1.1 Remove the straps and open the cardboard box.
- 1.2 Remove the foam partition **A** and ramps **B**.
- 1.3 Remove the cardboard box from the pallet.



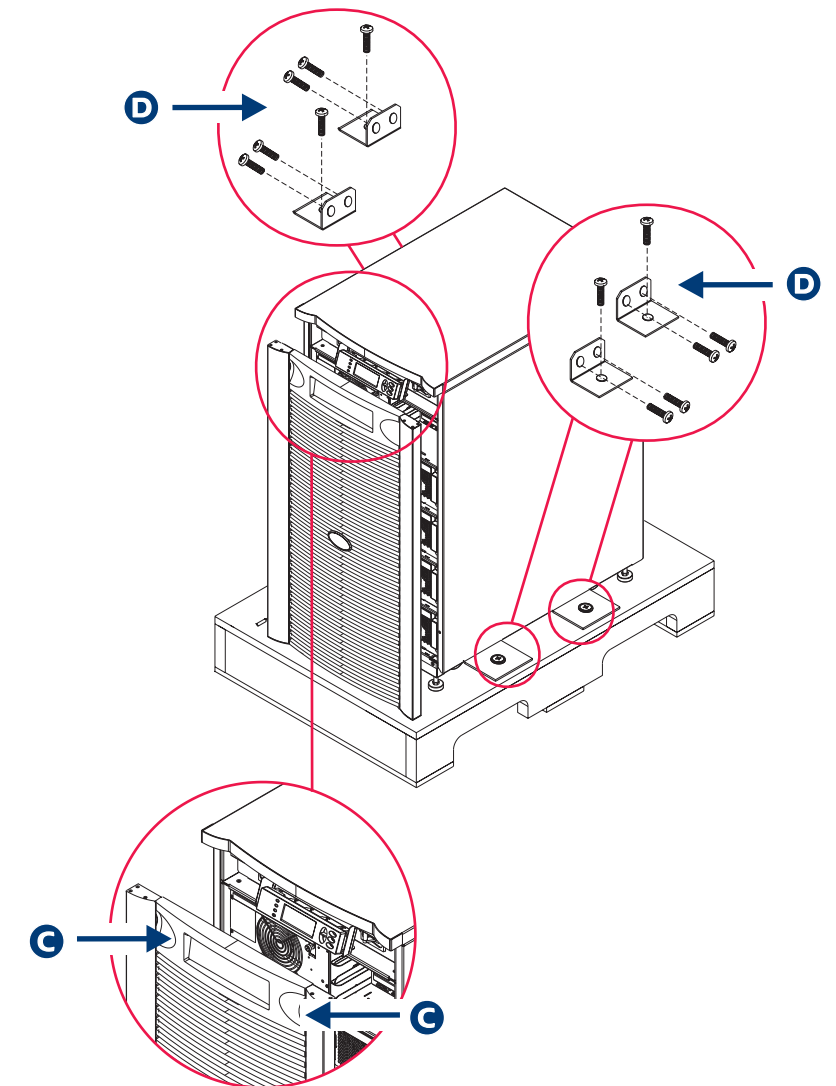
2.2 Remove Door and Shipping Brackets

2.1 Remove the door.

- Grab onto the door at the tabs **C**, gently pull forward to release the top of the door from the UPS frame, lift and remove.

2.2 Remove the bolts and shipping brackets **D** securing the unit to the pallet.

- Retain the bolts and shipping brackets if reusing them to bolt the unit to the floor (see Step 3).



3 Transport the UPS to the Installation Site



Caution

- Two people are required to move the UPS due to its weight.
- The mounting stabilizers should remain up until the UPS is off of the ramps.

3.1 Remove the equipment from the pallet.

- Ensure that the mounting stabilizers **E** are in the up position.
- Attach the ramp to the pallet. Secure the ramp metal brackets **F** in the cutouts **G** on the pallet.
- With two people, one on either side of the unit, firmly hold the front and rear of the unit. Carefully push the unit onto the ramp, and to the floor.

3.2 Move equipment to the installation site.

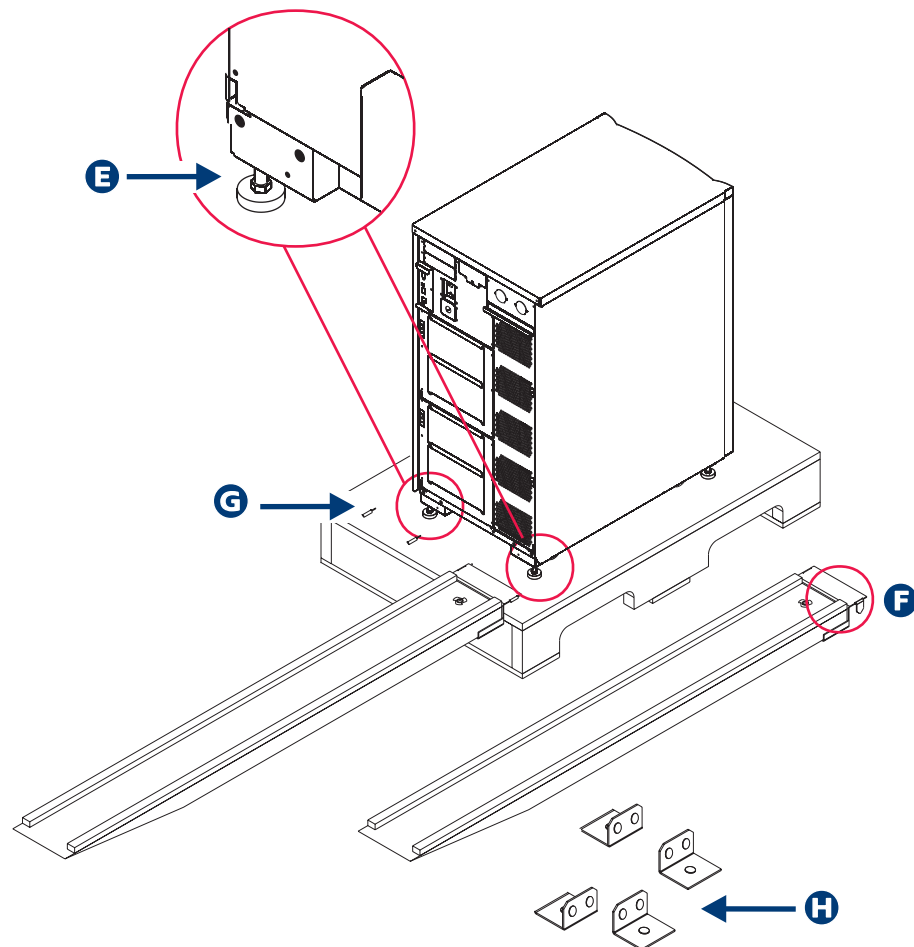
3.3 Lower the mounting stabilizers to the floor to secure the unit.

3.4 Optional Seismic Anchoring: The unit may be anchored by reattaching the four shipping brackets **H** and bolting these to the floor.



Note

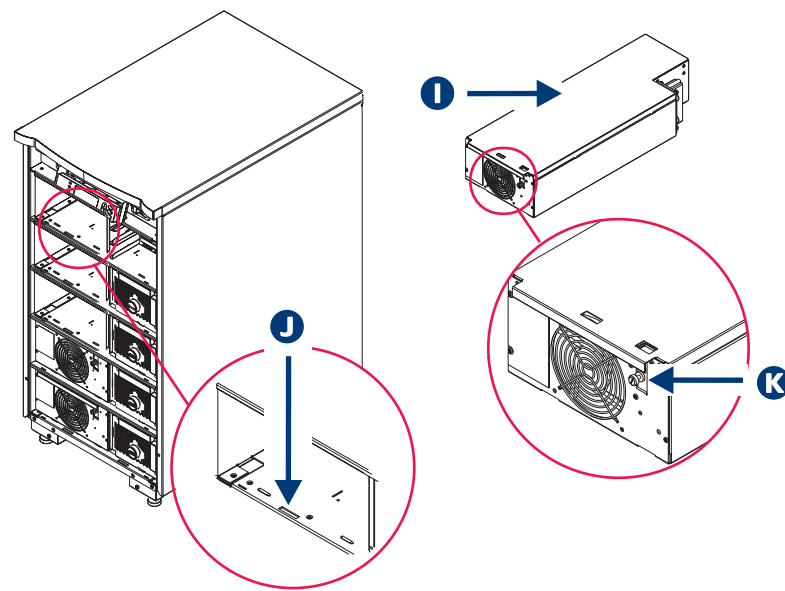
- UBC calculations require a 3/8" diameter Trubolt wedge anchor, embedded 3" into a concrete slab.
- Refer to appropriate codes for specific requirements that would apply to this particular installation.



4 Install Power Modules, If Applicable

Install power modules in the appropriate bay locations for your configuration.

- Slide the module **I** into the frame until the front of the module is fully seated behind the safety catch **J**.
- Slide the latch up and tighten the captive screw **K**.



5 Install Battery Modules, If Applicable



Caution

Battery modules are heavy. Two people are required to handle a battery module due to its weight.



Note

Install battery modules in the lowest empty applicable bays for your configuration. Install remaining modules from the bottom upward.

- Determine battery orientation. Each battery module will be installed in one of two orientations, B₁ or B₂. Refer to **L** below.
 - For B₁ orientation, position battery module with handles on the top and right side of the module **M**.
 - For B₂ orientation, position the battery module with handles on the top and left side of the module **N**.
- Slide the battery into the battery bay until the front of the battery is behind the safety catch **O**.
- Check that each battery module is in the connected position. Use a coin to turn the battery switch counterclockwise to the ON position **P**.

