

Vi22301

MaxiiPower™ IEEE 802.3af/at 60W PoE Splitter w/ a 30W PoE Port & 12/24VDC Output

Features

- Provides both PoE and either 12VDC or 24VDC for powering multiple units with a single PoE input
- Cost effective solution for powering both IP cameras, security and emergency phone and lighting systems
- Convert IEEE 802.3at PoE power to 12VDC or 24VDC
- Maintains IP data throughput
- Boost PoE power for IP device
- Compatible with all IEEE 802.3af/at and 60W PoE sources
- Compatible with Vi2300A UTP and Vi2400A coax extenders for distances up to 2,000 ft.



Applications

- Power LED lighting
- Power emergency response call box phone system
- Power emergency response lighting alerts
- Telephone and alarm systems requiring DC power
- Maintains IP data and boost PoE power for IP devices

The Vi22301 is a PoE splitter providing up to 30W of PoE and 12VDC or 24VDC. It is the perfect solution for powering both PoE devices such as IP cameras and devices requiring DC power such as LED and emergency phone systems.

The Vi22301 can also be used with IP PTZ dome cameras that require PoE power for the camera and DC power for heaters and blowers. It eliminates the need for running separate power camera reducing installation costs to a single IP PoE power camera.

Technical Specification*

Electrical

Ethernet Interface	Standard 10/100/1000Base T
Power Consumption	Based on input power
Power Input	PoE IEEE 802.3af, Class 3 15.4W PoE IEEE 802.3at, Class 4 PoE 60W
Power Output	12VDC or 24VDC - (up to 30W) 30W PoE Port - Total power will depend on a combination of PoE and DC power required
Connections	Input Data + PoE: RJ45 Output Data + PoE: RJ45 Power Out: Push Connector
Status LEDs	PoE Input: Orange PoE Output: Orange 12/24VDC Output Available: Green
Data Interfaces and Compliances	RFC 768 UDP, RFC 2068 HTTP RFC 793 TCP, RFC 791 IP RFC 1783 TFTP, RFC 894 IP over Ethernet RFC 2544 TCP/IP Packet Transmission
PoE Compatibility	IEEE 802.3af / Class 0,1,2,3 IEEE 802.3at / Class 4 60W PoE sources compatible sources
Side Switch	30W/60W Select

Mechanical

Dimensions	1.36x2.13x2.91 in., 34.5x54.1x73.9 cm (HxWxL)
Weight	0.328 lb, 149 g

Environmental

Humidity	0% to 90%, Non-condensing
Temperature	Operating: -40°C to +75°C Storage: -65°C to +150°C

Regulatory

Safety	CE, FCC
Environmental	RoHS, WEEE

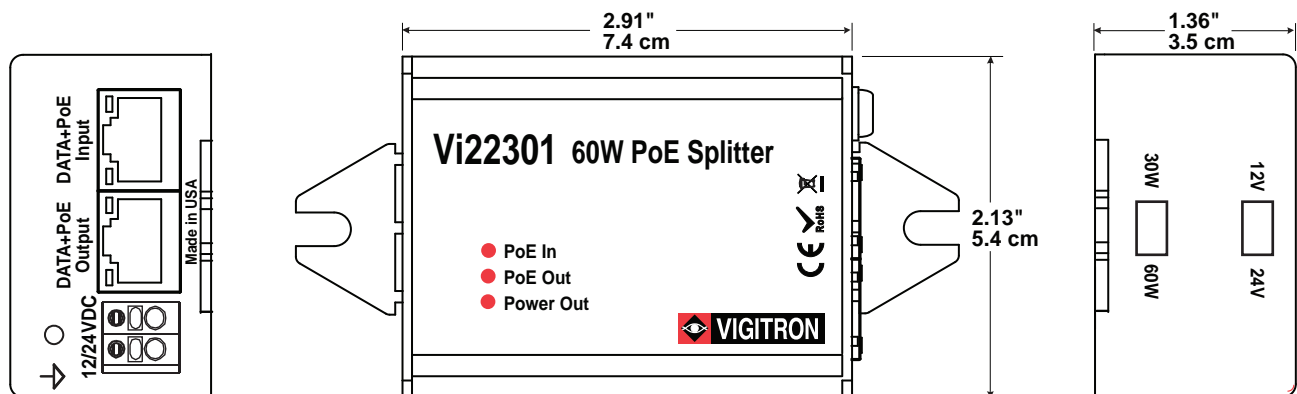
*Specifications subject to change without notice.

Ordering Information

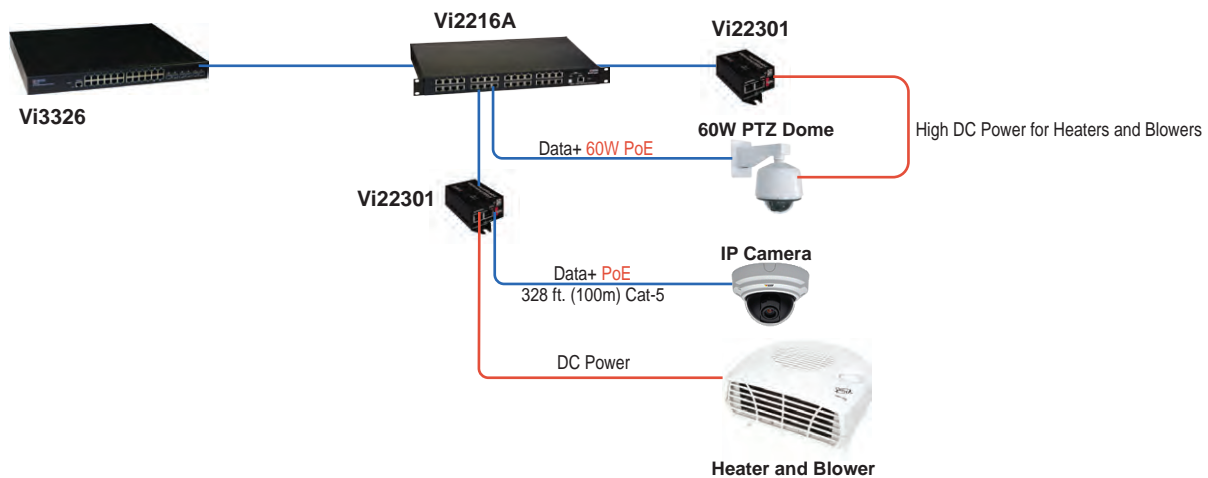
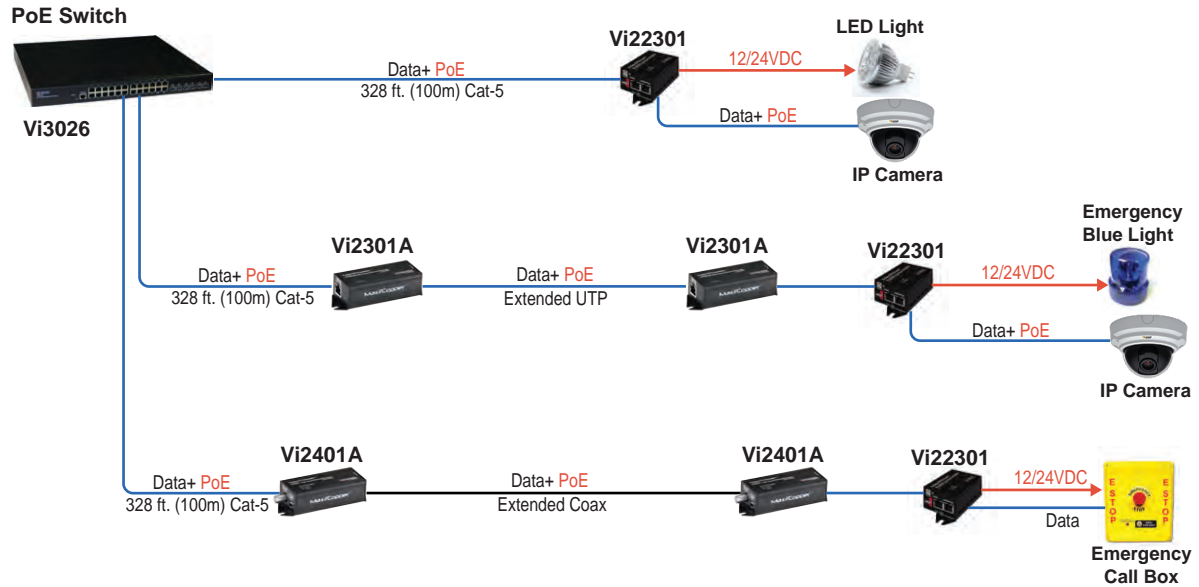
PART No.	Description
Vi22301	PoE+/PoE++ to PoE+ & 12/24VDC Splitter

Vi22301 Power Distance Chart

PoE Input	Cable	Extender	Distances	Output Voltage	Output Current
15.5 W	UTP	N/A	328 ft.	12 VDC	1 A
15.5 W	UTP	Vi2300 Series	2,000 ft.	12 VDC	0.5 A
15.5 W	Coax	Vi2400 Series	2,000 ft.	12 VDC	0.5 A
30 W	UTP	N/A	328 ft.	12 VDC	2 A
30 W	UTP	N/A	328 ft.	24 VDC	1 A
30 W	UTP	Vi2300 Series	2,000 ft.	12 VDC	1 A
30 W	UTP	Vi2300 Series	2,000 ft.	24 VDC	0.5 A
30 W	Coax	Vi2400 Series	2,000 ft.	12 VDC	1 A
30 W	Coax	Vi2400 Series	2,000 ft.	24 VDC	0.5 A
60 W	UTP	Vi2300 Series	1,500 ft.	12 VDC	2A
60 W	UTP	Vi2300 Series	1,500 ft.	24 VDC	1A



Application Diagrams



Disclaimer

No liability is assumed for any misprint or technical change in this document. Pricing and specifications are subject to change without notice. All brand names and trademarks are registered property of Vigitron.

© Vigitron Inc. All rights reserved



TEL (+1) 858 - 484 - 5209 • FAX (+1) 858 - 484 - 1205

7810 Trade Street, Suite 100, San Diego, CA 92121, USA • support@vigitron.com • www.vigitron.com

© Copyright 2017 Vigitron, Inc.