



Color:  Black

UPC Code: 078477778043

Country Of Origin: Mexico

NEMA:
L7-15R



4750

15 Amp, 277 Volt, NEMA L7-15R, 2P, 3W, Duplex Locking Receptacle, Industrial Grade, Grounding - BLACK

Leviton's Industrial Grade Locking Devices are built to provide unparalleled quality and superior performance in the most severe industrial settings. Leviton combines the best materials available with superior production standards to produce a broad selection of Locking Devices of unmatched flexibility and dependability.

Technical Information

AC Horsepower Ratings

At Rated Voltage: 2 HP

Electrical Specifications

Amperage: 15 A

Current Limiting: Full Rated Current

Dielectric Voltage: Withstands 2000V per UL498

Grounding: Grounding

Pole: 2

Temperature Rise: Max 30C after 250 cycles OL at 200 percent rated current

Voltage: 277 VAC

Wire: 3

Environmental Specifications

Environment: Dry

Flammability: Rated V-2 per UL 94

Operating Temperature: -40°C to 60°C

Material Specifications

Body Material: Nylon

Color: Black

Face Material: Nylon

Grounding Screw: Brass 8-32

Line Contacts: Brass .031 Thick

Strap Material: Steel

Terminal Screws: Brass 10-32

Yoke: Zinc-Plated Steel

Mechanical Specifications

Product ID: Ratings and NEMA I.D. permanently marked on device

Terminal Accom.: 18-10 AWG

Terminal ID: Brass-Hot, Green-Ground, Silver-Neutral

Termination: Back & Side

Product Features

Color: Black

Device Type: Locking Receptacle

NEMA: L7-15R

Standards and Certifications

ANSI: C-73

CSA C22.2 No. 42: File LR-406

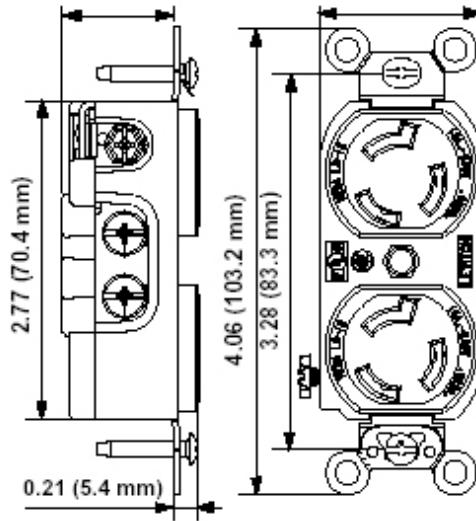
NEMA: WD-6

NOM: 057

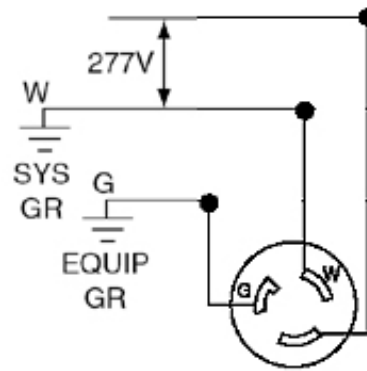
UL Fed Spec WC-596: File E13399

UL498: File E13399

Warranty: Lifetime Warranty



Wiring Diagram



L7-15R

SPECIFICATION SUBMITTAL

JOB NAME:	CATALOG NUMBERS:	
<input type="text"/>	<input type="text"/>	<input type="text"/>
JOB NUMBER:	<input type="text"/>	<input type="text"/>

Leviton Manufacturing Co., Inc.

201 North Service Road, Melville, NY 11747

Telephone: +1-800-323-8920 · FAX: +1-800-832-9538 · Tech Line (8:30AM-7:30PM E.S.T. Monday-Friday):

+1-800-824-3005

Leviton Manufacturing of Canada, Ltd.

165 Hymus Boulevard, Pointe Claire, Quebec H9R 1E9 · Telephone: +1-800-469-7890 ·

FAX: +1-800-824-3005 · www.leviton.com/canada

Leviton S. de R.L. de C.V.

Lago Tana 43, Mexico DF, Mexico CP 11290 · Tel.: (+52)55-5082-1040 · FAX: (+52)5386-

1797 · www.leviton.com.mx

Visit our Website at: www.leviton.com

© 2018 Leviton Manufacturing Co., Inc. All Rights Reserved. Subject to change without notice.

Leviton has a global presence.

If you would like to know where your local Leviton office is located please go to:

www.leviton.com/international/contacts/

