



# TCR20-W

Duplex Receptacle Outlet, Commercial Specification Grade, Tamper-Resistant, Smooth Face, 20 Amp, 125 Volt, Back and Side Wire, NEMA 5-20R, 2-Pole, 3-Wire, Self-Grounding - White

### Technical Information

AC Horsepower Ratings

**Horsepower Rating:** 1 HP

Electrical Specifications

**Amperage:** 20 A

**Current Limiting:** Full Rated Current

**Dielectric Voltage:** Withstands 2000V per UL498

**Grounding:** Self-Grounding

**Pole:** 2

**Temperature Rise:** Max 30C after 100 cycles OL at 150 percent rated current

**Voltage:** 125 VAC

**Wire:** 3

Environmental Specifications

**Operating Temperature:** -40°C to 60°C

Material Specifications

**Body Material:** Thermoplastic

**Face Material:** Thermoplastic

**Ground Clips:** Brass

**Grounding Screw:** Plated Steel

**Line Contacts:** Brass .031 Thick

**Shutter Mechanism:** Delrin® Acetal

**Strap Material:** Zinc-Plated Steel

**Terminal Screws:** Plated Steel

Mechanical Specifications

**Product ID:** Ratings are permanently marked on device

**Terminal Accom.:** 10-14 AWG

**Terminal ID:** Brass-Hot, Green-Ground, Silver-Neutral

**Termination:** Back and Side Wire

**Wire Type:** Solid or Stranded Building Wire

Product Features

**Color:** White

**Device Type:** Duplex Receptacle Outlet

**Grade:** Commercial Specification Grade

Standards and Certifications

**ANSI:** C-73

**cULus:** File E13399

**NEMA:** WD-1 & WD-6

**NOM:** 057

Warranty

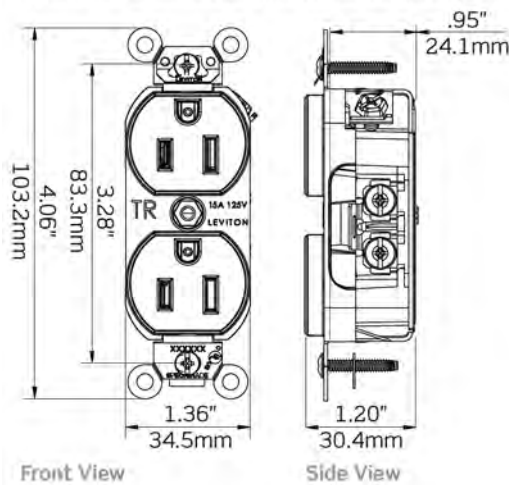
**Warranty:** 10-Year Limited

**Color:** White

**UPC Code:** 078477655429

**Country Of Origin:** Mexico

Typical for Commercial Spec Grade TR Receptacles



### SPECIFICATION SUBMITTAL

JOB NAME:	CATALOG NUMBERS:	
<input type="text"/>	<input type="text"/>	<input type="text"/>
JOB NUMBER:	<input type="text"/>	<input type="text"/>

**Leviton Manufacturing Co., Inc.**

201 North Service Road, Melville, NY 11747

Telephone: +1-800-323-8920 · FAX: +1-800-832-9538 · Tech Line (8:30AM-7:30PM E.S.T. Monday-Friday):  
+1-800-824-3005

**Leviton Manufacturing of Canada, Ltd.**

165 Hymus Boulevard, Pointe Claire, Quebec H9R 1E9 · Telephone: +1-800-469-7890 ·  
FAX: +1-800-824-3005 · [www.leviton.com/canada](http://www.leviton.com/canada)

**Leviton S. de R.L. de C.V.**

Lago Tana 43, Mexico DF, Mexico CP 11290 · Tel.: (+52)55-5082-1040 · FAX: (+52)5386-  
1797 · [www.leviton.com.mx](http://www.leviton.com.mx)

**Visit our Website at: [www.leviton.com](http://www.leviton.com)**

© 2018 Leviton Manufacturing Co., Inc. All Rights Reserved. Subject to change without notice.

**Leviton has a global presence.**

If you would like to know where your local Leviton office is located please go to:  
[www.leviton.com/international/contacts/](http://www.leviton.com/international/contacts/)

