



Color:  Light Almond

UPC Code: 078477381731

Country Of Origin: United States

NEMA:
5-15R



T5320-T

15 Amp, 125 Volt, NEMA: 5-15R, Pole: 2, 3-Wire, Tamper-Resistant, Duplex Receptacle/Outlet, Straight Blade, Grounding, Quickwire Push-In & Side, UL/CSA, Warranty: 2 Year Limited, Light Almond, NEC compliant

Technical Information

Product Features

Amperage: 15 A

Blade Type: Straight Blade

Color: Light Almond

Device Type: Duplex Receptacle Outlet

Feature: Tamper-Resistant

Grounding: Grounding

NEMA: 5-15R

Pole: 2

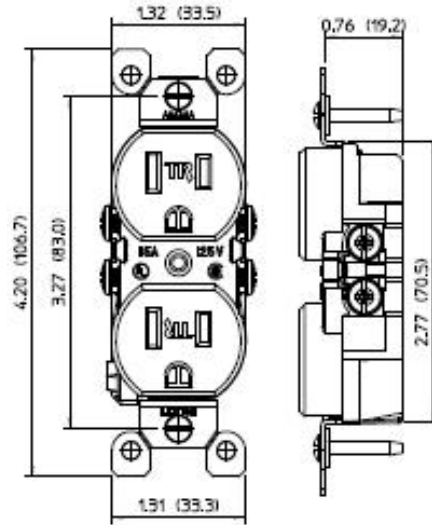
Standards and Certifications: UL/CSA

Termination: Quickwire Push-In & Side

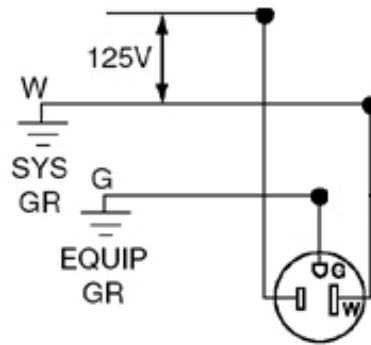
Voltage: 125 VAC

Warranty: 2 Year Limited

Wire: 3



Wiring Diagram



5-15R

SPECIFICATION SUBMITTAL

JOB NAME: <input type="text"/>	CATALOG NUMBERS: <input type="text"/>
JOB NUMBER: <input type="text"/>	<input type="text"/>

Leviton Manufacturing Co., Inc.

201 North Service Road, Melville, NY 11747

Telephone: +1-800-323-8920 · FAX: +1-800-832-9538 · Tech Line (8:30AM-7:30PM E.S.T. Monday-Friday):

+1-800-824-3005

Leviton Manufacturing of Canada, Ltd.

165 Hymus Boulevard, Pointe Claire, Quebec H9R 1E9 · Telephone: +1-800-469-7890 ·

FAX: +1-800-824-3005 · www.leviton.com/canada

Leviton S. de R.L. de C.V.

Lago Tana 43, Mexico DF, Mexico CP 11290 · Tel.: (+52)55-5082-1040 · FAX: (+52)5386-

1797 · www.leviton.com.mx

Visit our Website at: www.leviton.com

© 2018 Leviton Manufacturing Co., Inc. All Rights Reserved. Subject to change without notice.

Leviton has a global presence.

If you would like to know where your local Leviton office is located please go to:

www.leviton.com/international/contacts/

