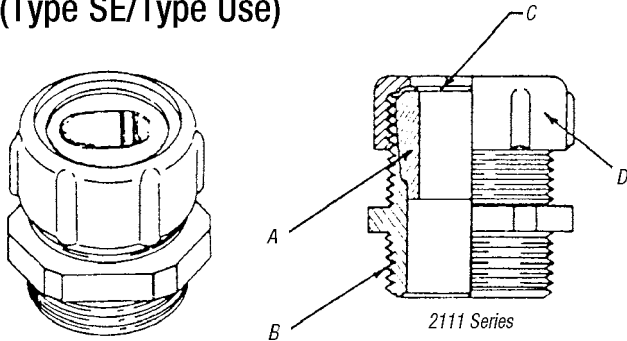


Service Entrance Cable Fittings

Service Entrance Cable Connector

(Type SE/Type Use)



Application

- To connect service entrance cables to a meter box or an enclosure

Standard Material/Finish

Body	Zinc Die Cast/As Cast
Gland	Steel/Electro Zinc Plated & Chromate Coated
Retaining Ring	Stainless Steel/Passivated
Bushing	Neoprene/As Molded

Range

Oval (Flat) Cable Size	260 x .500 thru 1.062 x 1.765
Type USE Cable Size	(3) #12 thru (3) 4/0 AWG Conductors
Hub Size	1/2" thru 2" NPT (taper pipe threads)

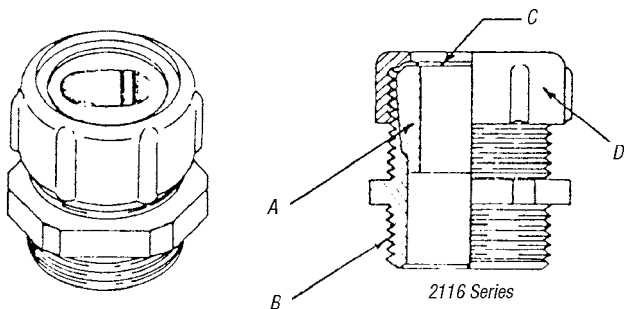
Features

- Neoprene bushing, resists oil and water; grips cable the full length of the bushing, providing adequate strain relief without damaging outer jacket (A)
- Taper threaded body (B)
- Stainless steel retaining ring protects cable jacket against abrasion; reduces installing torque effort (C)
- Rugged ribbed steel gland construction (D)
- Suitable for Type SE & USE Service Entrance Cable

Listings/Compliances

UL (UL File No. E15170)
CSA (LR589, LR4484)
UL514, NEMA FB1, Federal Standard
H-28 (Threads), NFPA70

Underground Feeder Cable Connectors



Application

- To connect underground feeder cables to a box or an enclosure

Standard Material/Finish

Body	Zinc Die Cast/As Cast
Gland	Steel/Electro Zinc Plated & Chromate Coated
Retaining Ring	Stainless Steel/Passivated
Bushing	Neoprene/As Molded

Range

Oval (Flat) Cable Size235 x .500 thru .260 x .740
Hub Size	1/2" thru 1" NPT (tapered pipe threads)

Features

- Neoprene bushing resists oil and water; grips cable the full length of the bushing providing adequate strain relief without damaging outer jacket (A)
- Taper threaded body (B)
- Stainless steel retaining ring protects cable jacket against abrasion; reduces installing torque effort (C)
- Rugged ribbed steel gland construction (D)

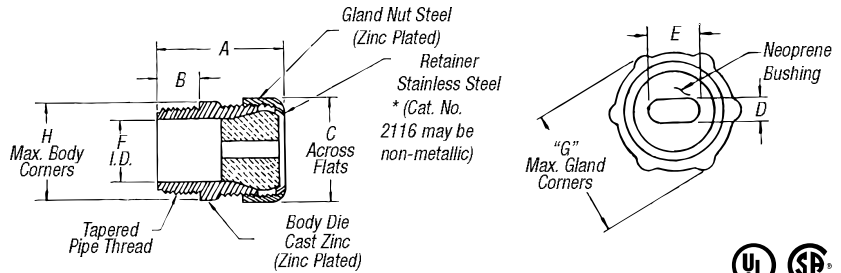
Listings/Compliances

UL
CSA (LR2884)
UL514B, NEMA FB1, Federal Standard
H-28 (Threads), NFPA70

Service Entrance Cable Fittings

Oil- and water-resistant neoprene bushing specially designed for sealing around underground feeder cable!

Underground Liquidtight Feeder-Cable Fittings



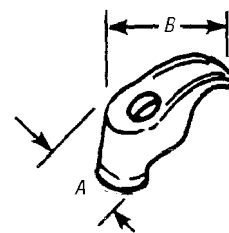
- Stainless steel retaining ring provides bearing surface for glandnut and eliminates cable twist
- Ribbed glandnut tightens easily with wrench to form high-strength connection

CAT. NO.	HUB SIZE	CABLE OPENING	DIMENSIONS (IN.)										
			A	B	C	D		E		F	G	H	
						MIN.	MAX.	MIN.	MAX.				
2116-TB*	1/2"	.235 x .500	1 1/16	3/8	1	.060	.235	.350	.350	.500	3/16	1 1/8	1 1/8
2237	3/4"	.230 x .430	1 1/16	3/8	1 1/2	.080	.230	.320	.320	.430	1/16	1 3/8	1 3/8
2238	3/4"	.235 x .465	1 1/16	3/8	1 1/2	.050	.235	.340	.340	.465	1/16	1 3/8	1 3/8
2239	3/4"	.240 x .685	1 1/16	3/8	1 1/2	.060	.240	.500	.500	.685	1/16	1 3/8	1 3/8

* Not CSA Certified
UL File No. E-23017
CSA File No. 2884

Rocking action of foot allows each strap to accept a wide range of wire sizes!

Cable Straps



- Hole for 1/4" screw
- Hot-dipped galvanized malleable iron construction

CAT. NO.	WIRE SIZE	DIMENSIONS (IN.)	
		A	B
1341-TB	2-#10	3/8	1 1/8
1344	3-#6 or 3-#8	3/8	1 15/16
1345*	3-#4 or 3-#2	13/16	1 59/64
1346	3-1/0	3/4	2 1/16
1347	3-4/0	3/4	2 25/32

* Steel, hot-dipped galvanized.
UL not applicable
CSA Certified

Service Entrance Cable Fittings

Two-taper design — one slow and one fast — enables connectors to accept varied cable sizes for maximum take-up!

Watertight Connectors for Oval Cable



- Tapered neoprene bushings resist oil, sunlight and water
- Hex gland and body take same wrench opening
- Stainless-steel slip ring prevents cable from twisting as gland ring is tightened
- Threads on body tapered for water-sealing

CAT. NO.	HUB SIZE	OVAL CABLE RANGE	
		MAX.	MIN.
2111	1/2"	.420 x .560	.380 x .520
2232	3/4"	.385 x .600	.260 x .500
2233	3/4"	.500 x .750	.375 x .625
2234	3/4"	.555 x .800	.490 x .675
2432	1"	.385 x .600	.260 x .500
2433	1"	.500 x .750	.375 x .625
2434	1"	.555 x .800	.430 x .675
2438	1"	.565 x .855	.440 x .730
2439	1"	.635 x .975	.510 x .850
2442	1 1/4"	.635 x .975	.510 x .850
2443	1 1/4"	.640 x 1.050	.490 x .900
2446	1 1/4"	.750 x 1.150	.565 x .965
2454	1 1/2"	.840 x 1.275	.655 x 1.090
2447	1 1/2"	.880 x 1.425	.695 x 1.240
2448	2"	.968 x 1.500	.790 x 1.390
2449	2"	1.062 x 1.765	.850 x 1.550
2450	2"	1.820 x 1.190	1.700 x 1.050

UL File No. E-15170

CSA File No. 589

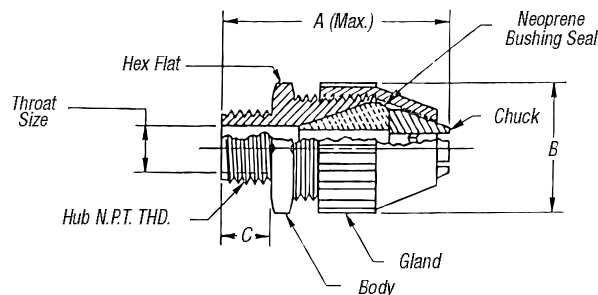
Note: These may be obsolete and replaced.

Hand tightens — no tools required!

Nylon UF-Cable Fittings for Corrosive Environments



- Tapered threaded hub
- Liquidtight and dust tight
- Corrosion- and weather-resistant nylon construction for both outdoor and indoor applications



CAT. NO.	HUB SIZE	UF CABLE RANGE		A	B	C
		MAX.	MIN.	MAX.	±.060	±.060
2827	1/2"	.550 x .280	.400 x .190	2.60	1.270	.600
2828	3/4"	.675 x .280	.525 x .190	3.00	1.570	.620
2829	3/4"	.775 x .280	.625 x .190	3.00	1.570	.620

UL File No. 15170

CSA File No. 589