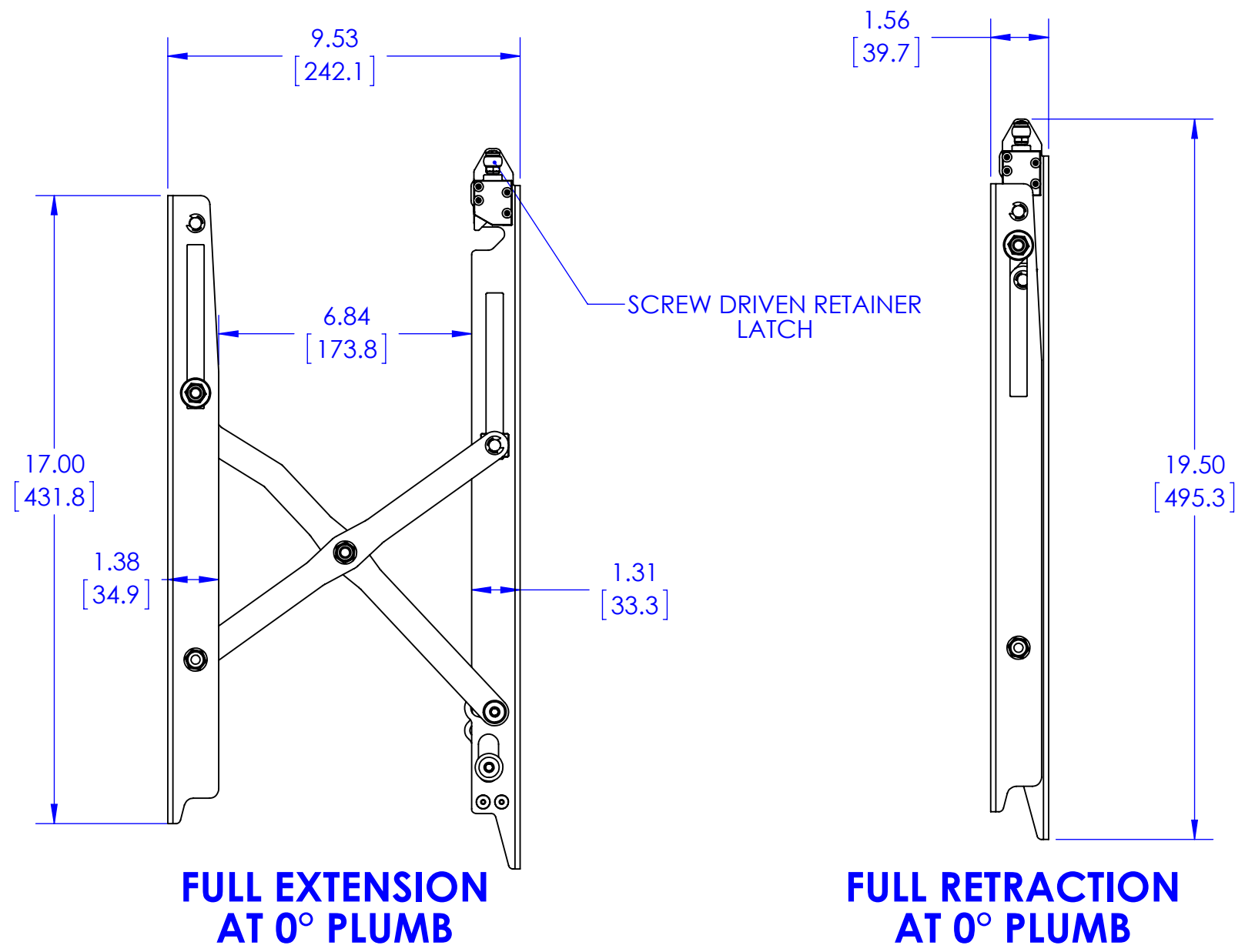
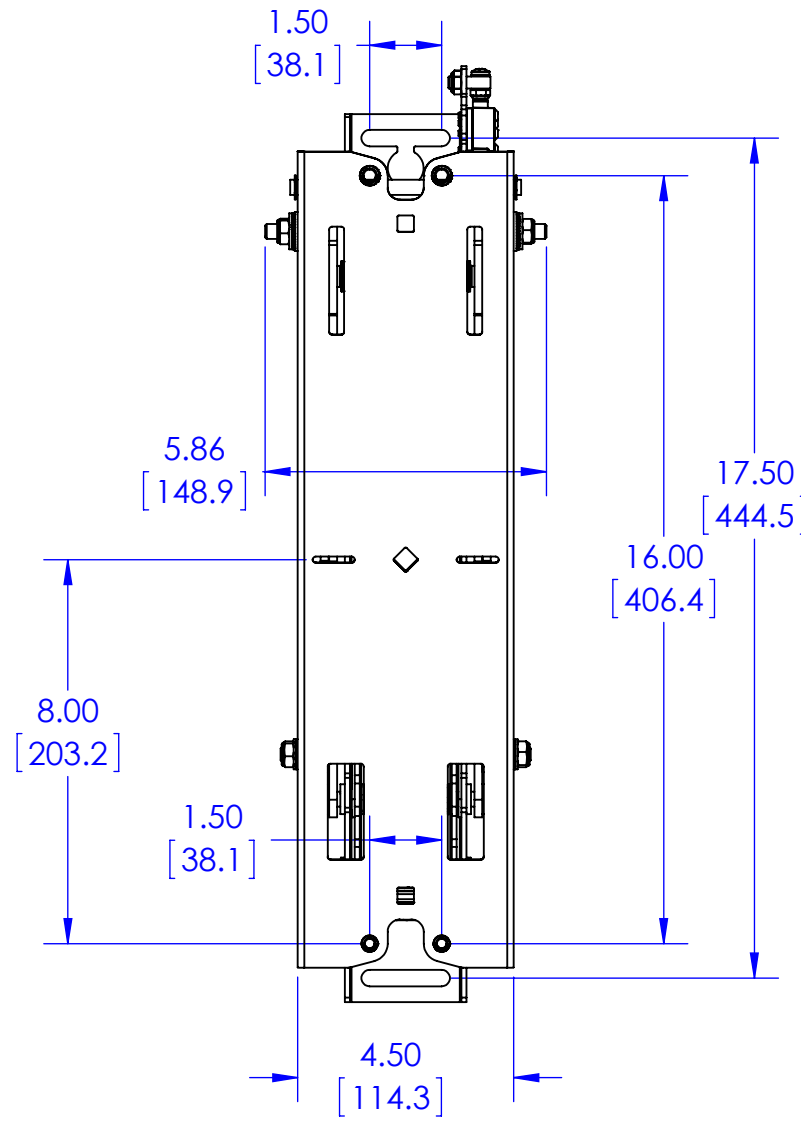
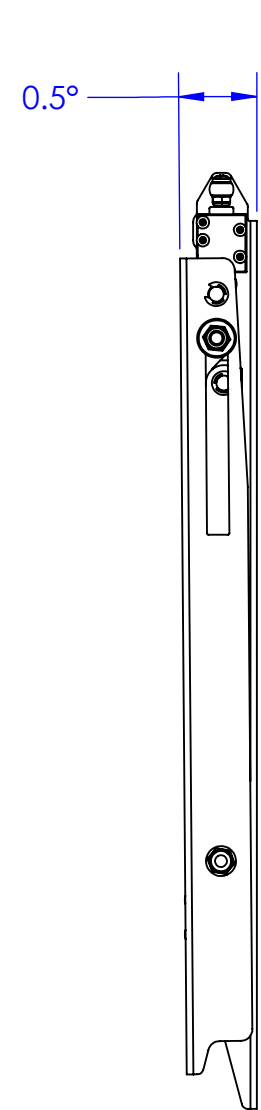


FCAV1U INCLUDES TWO ASSEMBLIES

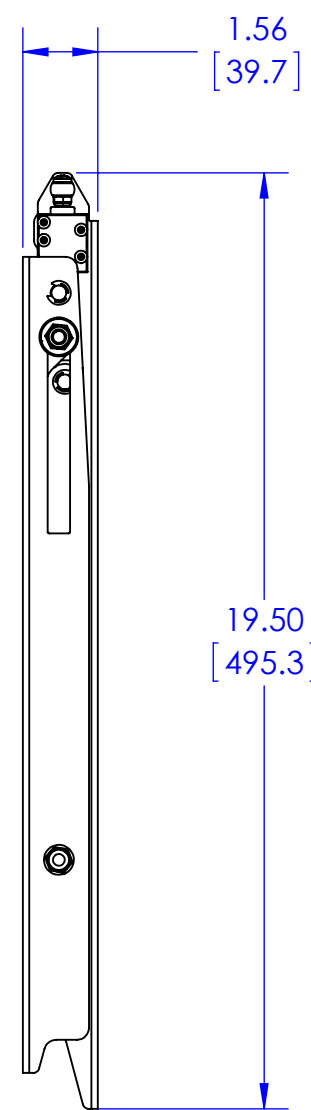


THE INFORMATION AND DESIGNS CONTAINED IN THIS DRAWING ARE CONFIDENTIAL AND THE PROPRIETARY PROPERTY OF MILESTONE AV TECHNOLOGIES NEITHER THIS DESIGN NOR ANY INFORMATION CONTAINED IN THIS DRAWING MAY BE REPRODUCED OR DISCLOSED TO OTHERS WITHOUT THE EXPRESS WRITTEN CONSENT OF MILESTONE AV TECHNOLOGIES.

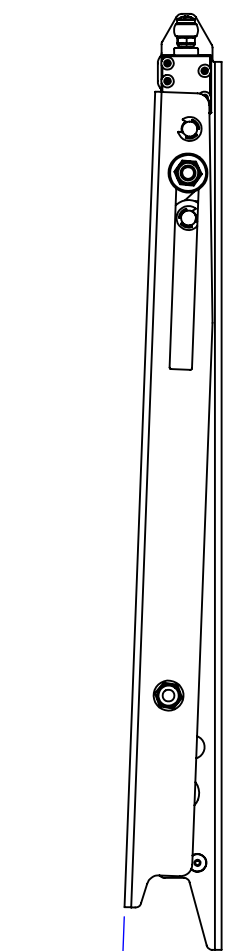
CAD GENERATED DRAWING, DO NOT MANUALLY UPDATE.			6436 CITY WEST PKWY EDEN PRAIRIE MN, 55344 PHONE: 866-977-3901 FAX: 877-894-6918							
DRAWN BY	JAB	7/22/2014								
ENG APPROVAL			DESCRIPTION FUSION MOUNT PULLOUT ACCESSORY							
MFG APPROVAL										
QA APPROVAL										
SHEET 1 OF 3			SCALE	1:8	SIZE	B	DWG. NO.	TECH-000708	REV.	00



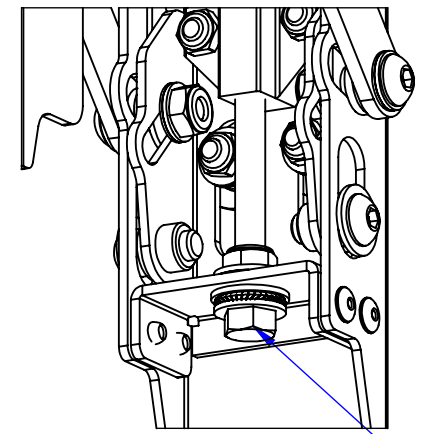
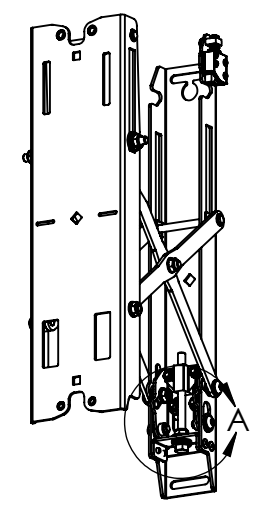
**MAX DOWN
PLUMB**



**PLUMB
AT 0°**



**MAX UP
PLUMB**



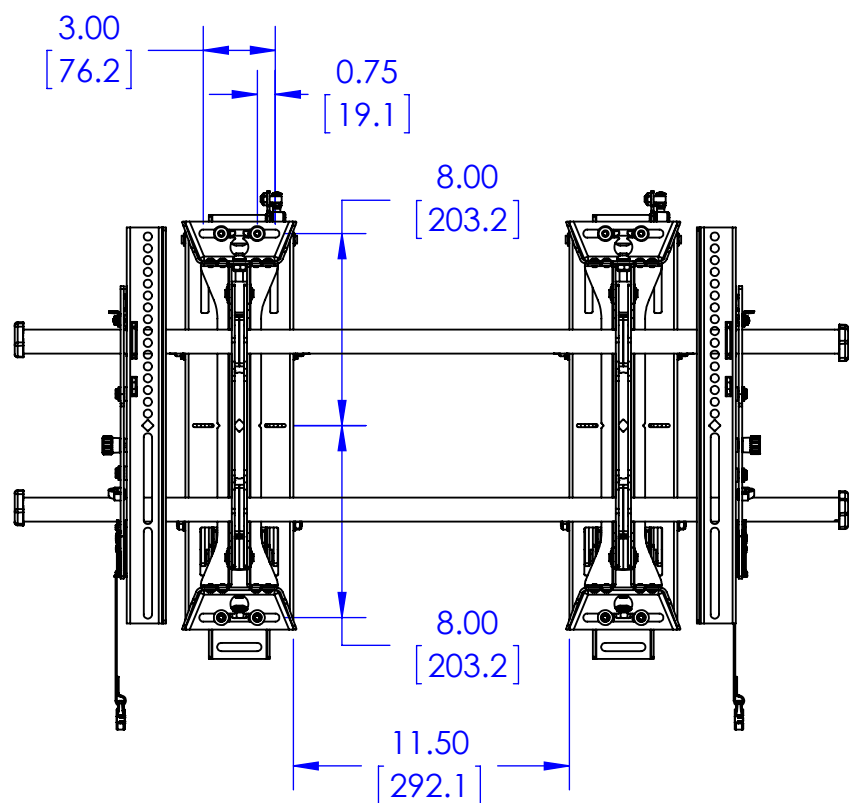
DETAIL A
SCALE 1 : 2

PLUMB ADJUST

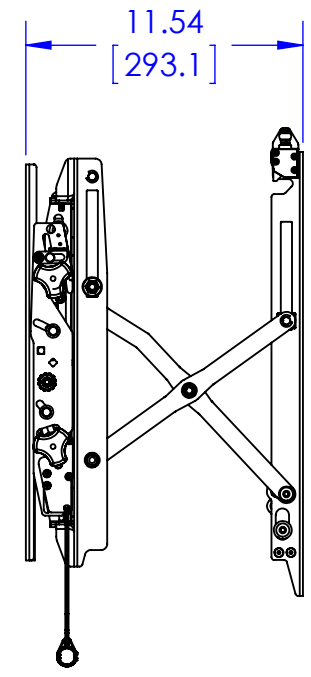
THE INFORMATION AND DESIGNS CONTAINED IN THIS DRAWING ARE CONFIDENTIAL AND THE PROPRIETARY PROPERTY OF MILESTONE AV TECHNOLOGIES NEITHER THIS DESIGN NOR ANY INFORMATION CONTAINED IN THIS DRAWING MAY BE REPRODUCED OR DISCLOSED TO OTHERS WITHOUT THE EXPRESS WRITTEN CONSENT OF MILESTONE AV TECHNOLOGIES.

CAD GENERATED DRAWING, DO NOT MANUALLY UPDATE.			6436 CITY WEST PKWY EDEN PRAIRIE MN, 55344 PHONE: 866-977-3901 FAX: 877-894-6918		
DRAWN BY	JAB	7/22/2014			
ENG APPROVAL			DESCRIPTION FUSION MOUNT PULLOUT ACCESSORY		
MFG APPROVAL					
QA APPROVAL			MODEL NO. FCAV1U		
SHEET 2 OF 3		SCALE 1:8	SIZE B	DWG. NO. TECH-000708	REV. 00

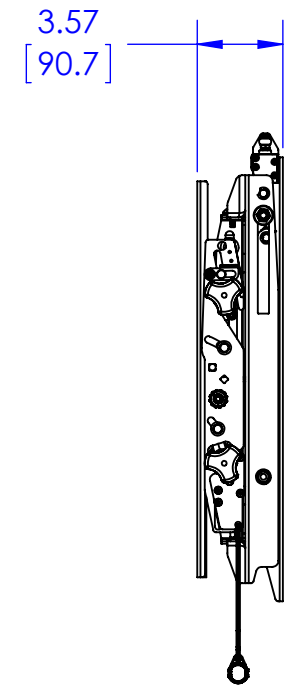
**SHOWN WITH LATERAL SHIFT
ON CENTER**



**FULL EXTENSION
AT 0° PLUMB
WITH LTM1U
(SOLD SEPARATELY)**



**FULL RETRACTION
AT 0° PLUMB
WITH LTM1U
(SOLD SEPARATELY)**



THE INFORMATION AND DESIGNS CONTAINED IN THIS DRAWING ARE CONFIDENTIAL AND THE PROPRIETARY PROPERTY OF MILESTONE AV TECHNOLOGIES NEITHER THIS DESIGN NOR ANY INFORMATION CONTAINED IN THIS DRAWING MAY BE REPRODUCED OR DISCLOSED TO OTHERS WITHOUT THE EXPRESS WRITTEN CONSENT OF MILESTONE AV TECHNOLOGIES.

CAD GENERATED DRAWING, DO NOT MANUALLY UPDATE.			6436 CITY WEST PKWY EDEN PRAIRIE MN, 55344 PHONE: 866-977-3901 FAX: 877-894-6918		
DRAWN BY	JAB	7/22/2014			
ENG APPROVAL			DESCRIPTION FUSION MOUNT PULLOUT ACCESSORY		
MFG APPROVAL					
QA APPROVAL			MODEL NO. FCAV1U		
SHEET 3 OF 3		SCALE 1:8	SIZE B	DWG. NO. TECH-000708	REV. 00