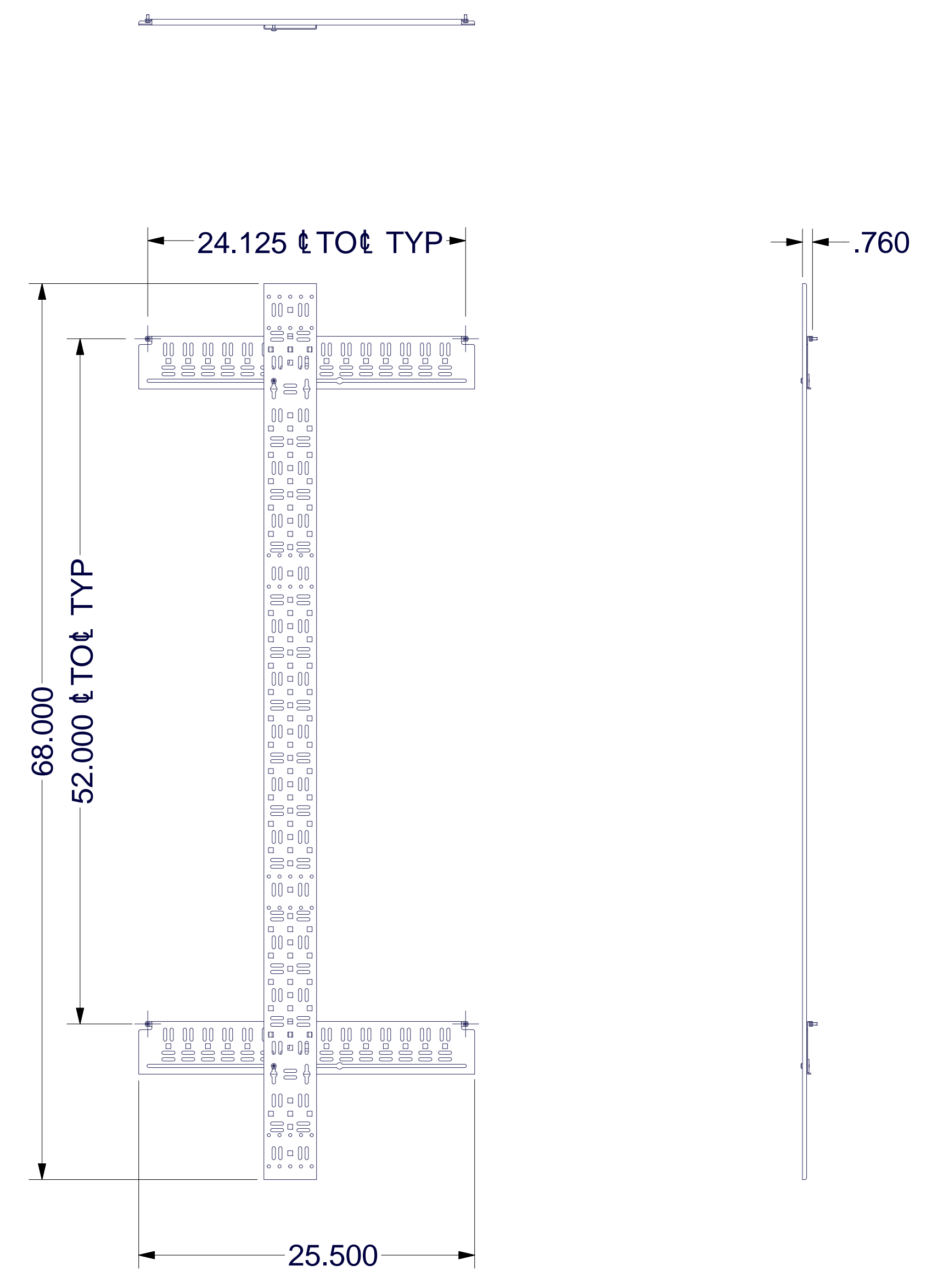
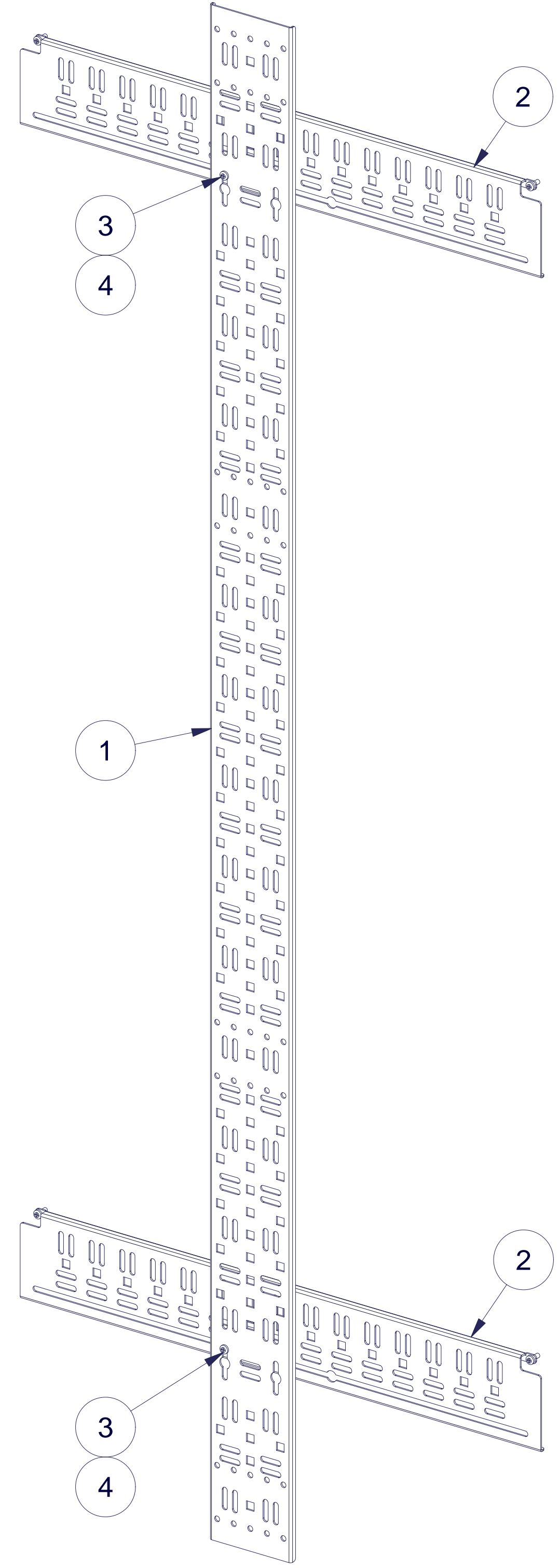


REVISION HISTORY			
REV	DESCRIPTION	DATE	APPROVED
0	ECO-06340	10/2/2014	FED
1	ECO-06510	3/19/2015	VL

Bill of Material						
ITEM	PART NUMBER	STOCK #	QTY	DESCRIPTION	FILE NAME	Rev
1	VCB84x100		1	VERTICAL CABLE BAR FOR 84"H 'E/' 'ES' ENCLOSURE	I022485.iam	0
2	HCB32X100		2	HORIZONTAL CABLE BAR FOR 32"D 'E/' 'ES' ENCLOSURE	I022480.iam	1
3		H01-078	2	SCREW, 10-32x1/2" PH PAN TYPE 23 RBZ	SCR1032X500BLK.ipt	-
4	LBSNX100		2	SLIDING NUT FOR LACING BARS	I000631.ipt	2
5	CM01		6	CXABLE CINCH STRAP, 12"L x 3/4"W (NOT SHOWN)	CM01	-



- SPECIAL NOTE:**
- 1) REFER TO PURCHASE ORDER - SPECIAL REQUIREMENTS MAY APPLY!
 - 2) PACK SEPARATELY & BULK SHIP AS A KIT UNLESS THIS UNIT IS TO BE MOUNTED AS PART OF A NEWLY BUILT ENCLOSURE.

ISO VIEW

EST. WEIGHT :
N/A



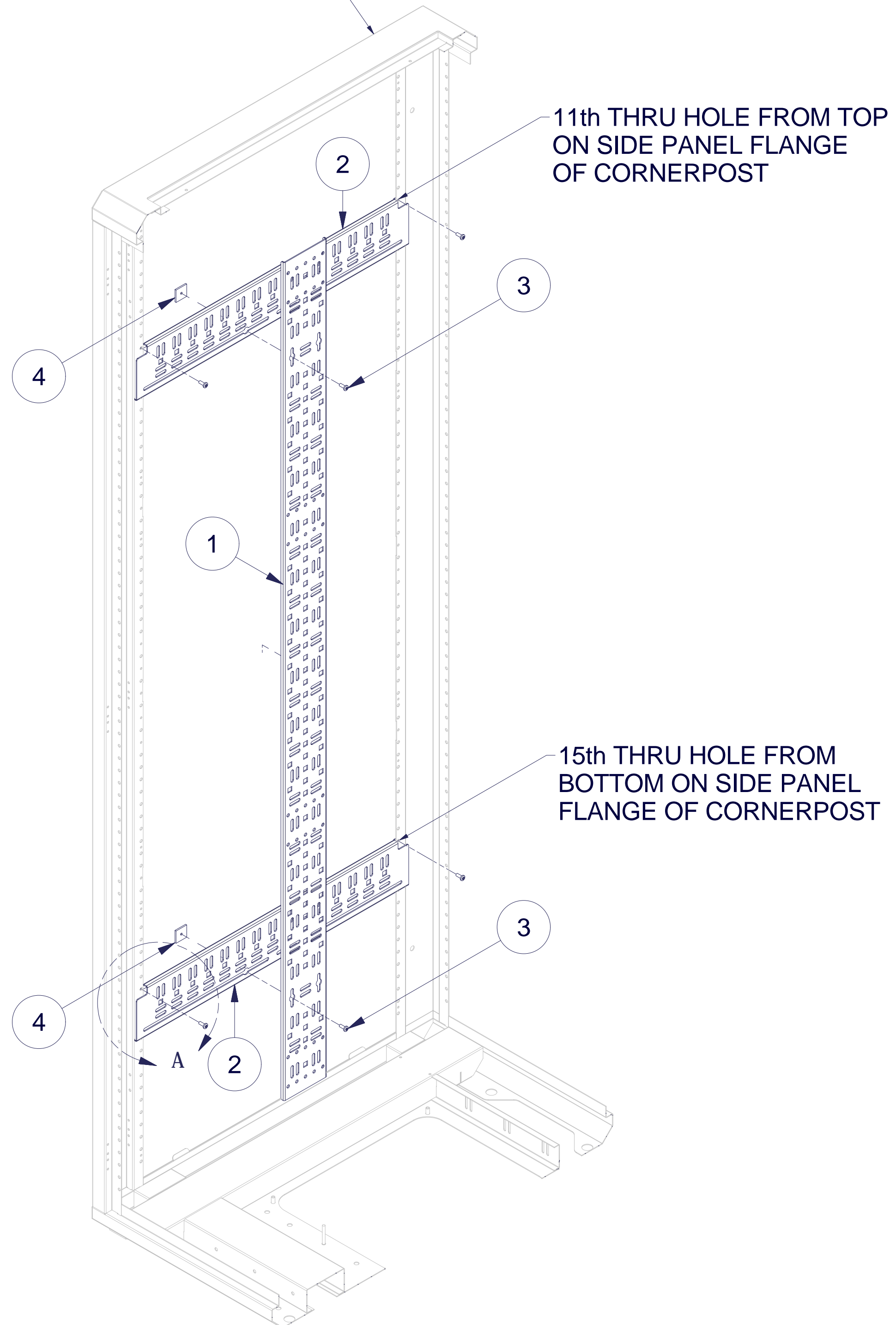
INTERPRET DRAWING PER ASME Y14.5M-1994
DIMENSIONAL LIMITS APPLY AFTER APPLICATION OF FINISH
DRAWING NOT TO SCALE
TOLERANCE UNLESS OTHERWISE NOTED:
ANGULAR +/- 1'
.XXXX +/- .010
.XXX +/- .015
.XX +/- .030
.X FOR REF. ONLY
UNLESS OTHERWISE SPECIFIED ALL DIMENSIONS ARE IN INCHES

NOTICE:
Use of this document is subject to a confidentiality and nondisclosure agreement with Great Lakes Case & Cabinet Co., Inc. (GLCC) and may not be reproduced, disclosed or utilized in whole or in part without prior written authorization from GLCC.

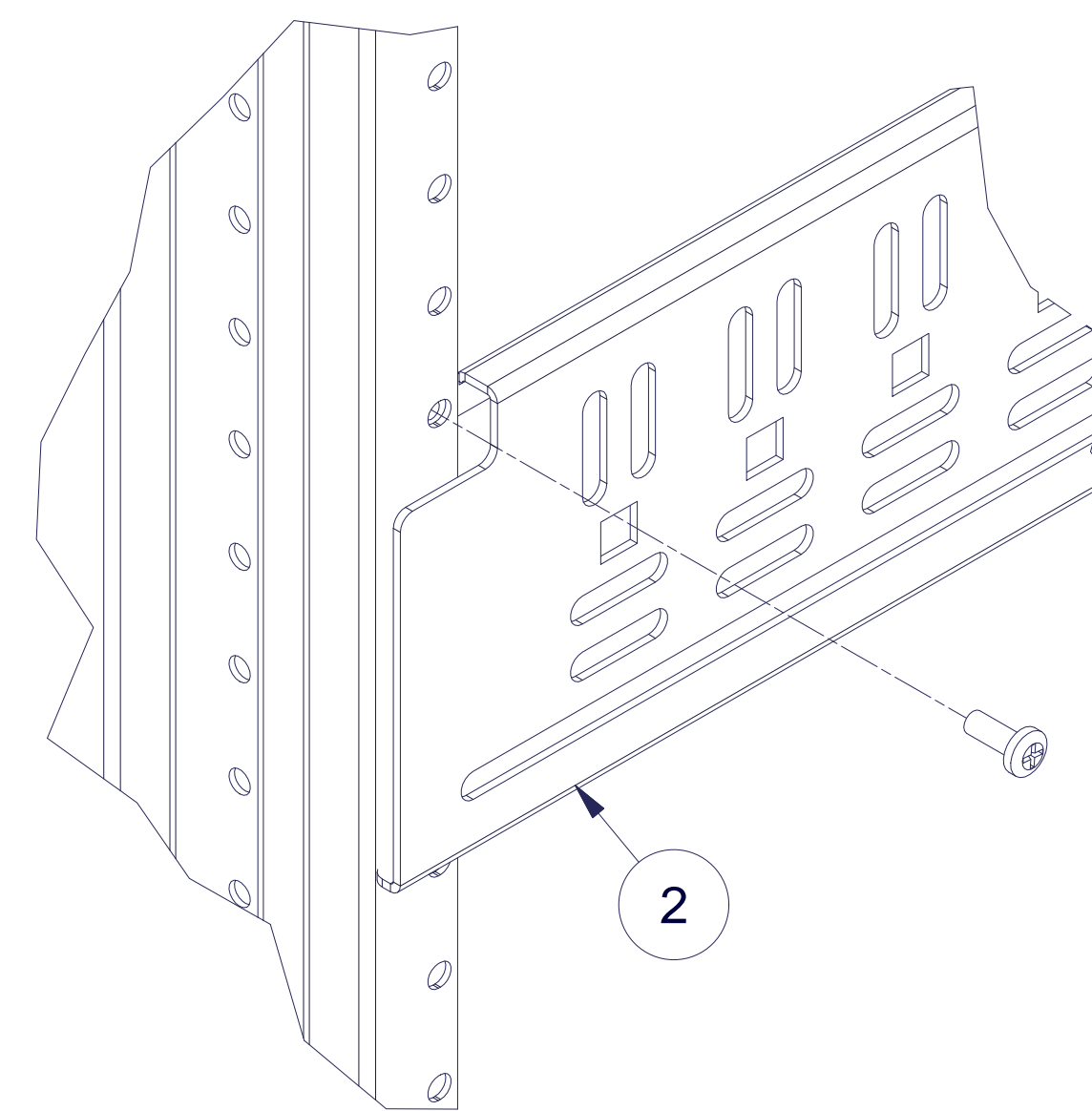
PART NUMBER: VCB8432X200
QTY PER UNIT: 1
MATERIAL TYPE: CRS
MATERIAL GAUGE:
FINISH: POWDERCOATED
DRAWN: DATE: 10/2/2014
FED: DATE: 10/2/2014
CHECKED & APP. DATE: 10/2/2014
WSS

TITLE: VERTICAL CABLE BAR KIT FOR 84"H x 32"D, 'E/' 'ES' ENCLOSURE
GREAT LAKES CASE & CABINET CO., INC.
P.O. BOX 551 EDINBORO, PA 16412
PHONE (814) 734-7303 FAX (814) 734-3907
E-MAIL glcc@greatcabinets.com
DWG NO: I022492
REV: 1
SHEET: 1 OF 2

PARTIAL FRAME SHOWN FOR ASSEMBLY PURPOSES ONLY

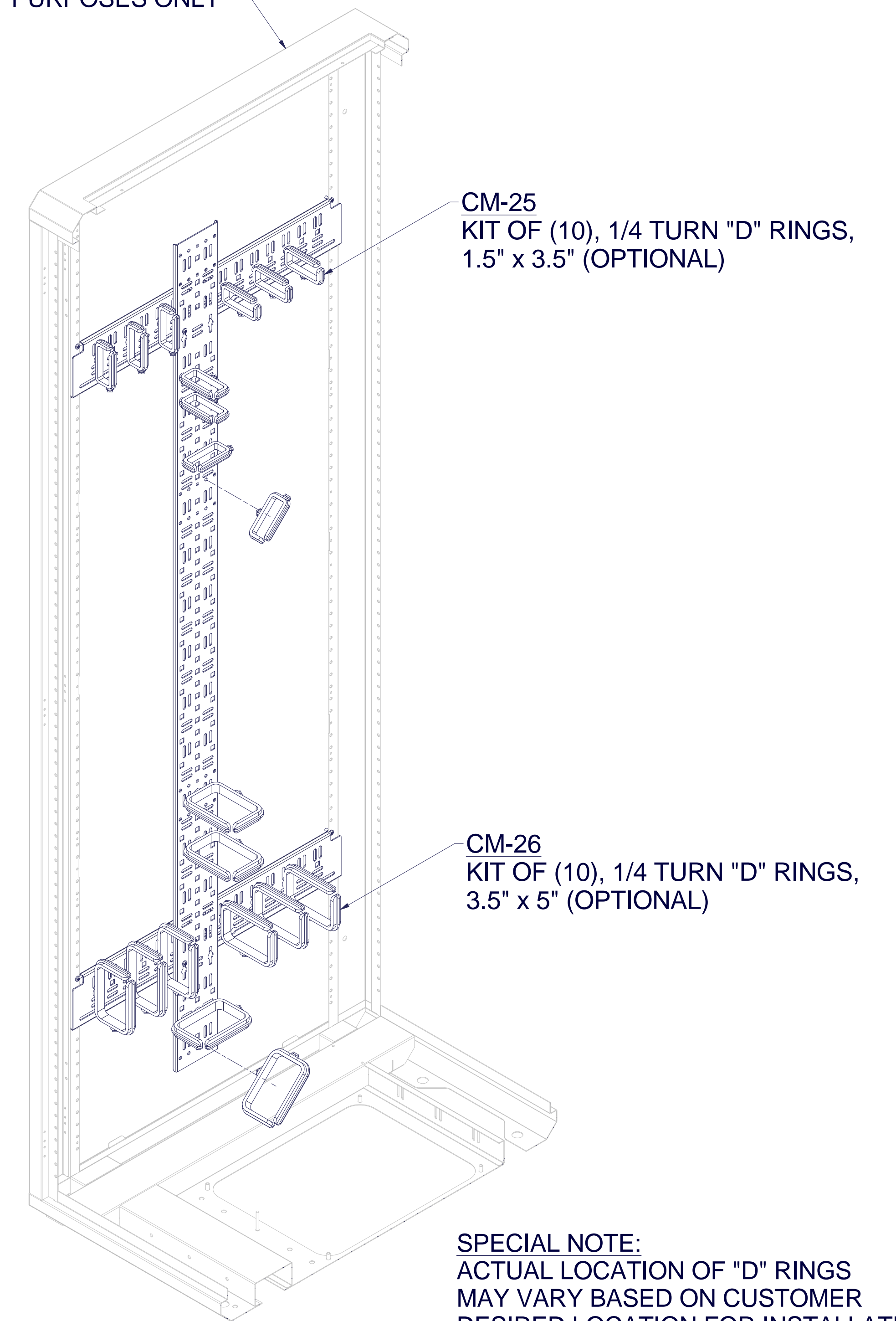


ISO VIEW

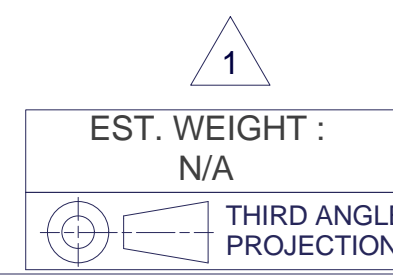


DETAIL A

PARTIAL FRAME SHOWN FOR ASSEMBLY PURPOSES ONLY



ISO VIEW



EST. WEIGHT :
N/A

THIRD ANGLE
PROJECTION

INTERPRET DRAWING PER ASME Y14.5M-1994
DIMENSIONAL LIMITS APPLY AFTER APPLICATION OF FINISH
DRAWING NOT TO SCALE
TOLERANCE UNLESS OTHERWISE NOTED:
ANGULAR +/- .1°
.XXXX +/- .010
.XXX +/- .015
.XX +/- .030
.X FOR REF. ONLY
UNLESS OTHERWISE SPECIFIED ALL DIMENSIONS ARE IN INCHES

NOTICE:
Use of this document is subject to a confidentiality and nondisclosure agreement with Great Lakes Case & Cabinet Co., Inc. (GLCC) and may not be reproduced, disclosed or utilized in whole or in part without prior written authorization from GLCC.

PART NUMBER: VCB8432X200
QTY PER UNIT: 1
MATERIAL TYPE: CRS
MATERIAL GAUGE:
FINISH: POWDERCOATED
DRAWN DATE: 10/2/2014
FED DATE: 10/2/2014
CHECKED & APP. DATE: WSS 10/2/2014

TITLE VERTICAL CABLE BAR KIT FOR 84"H x 32"D, 'E'/'ES' ENCLOSURE	DWG NO: 1022492	REV 1	SHEET: 2 OF 2
GREAT LAKES CASE & CABINET CO., INC. P.O. BOX 551 EDINBORO, PA 16412 PHONE (814) 734-7303 FAX (814) 734-3907 E-MAIL glcc@greatcabinets.com			