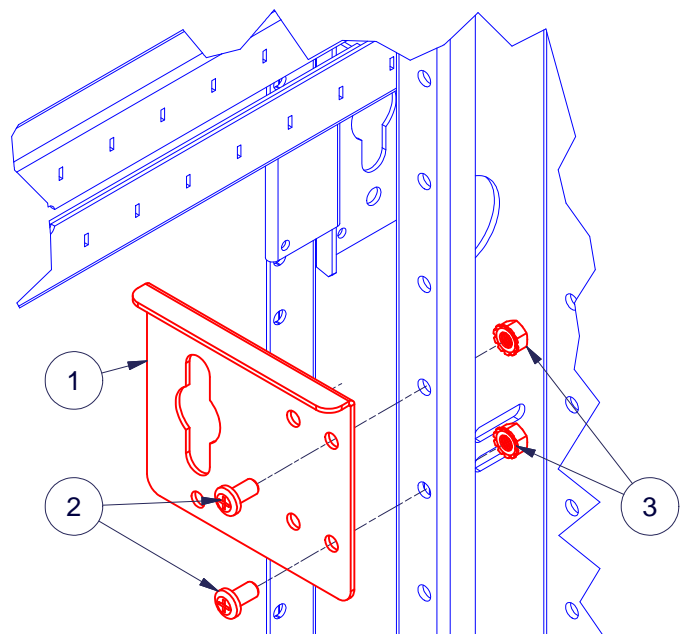
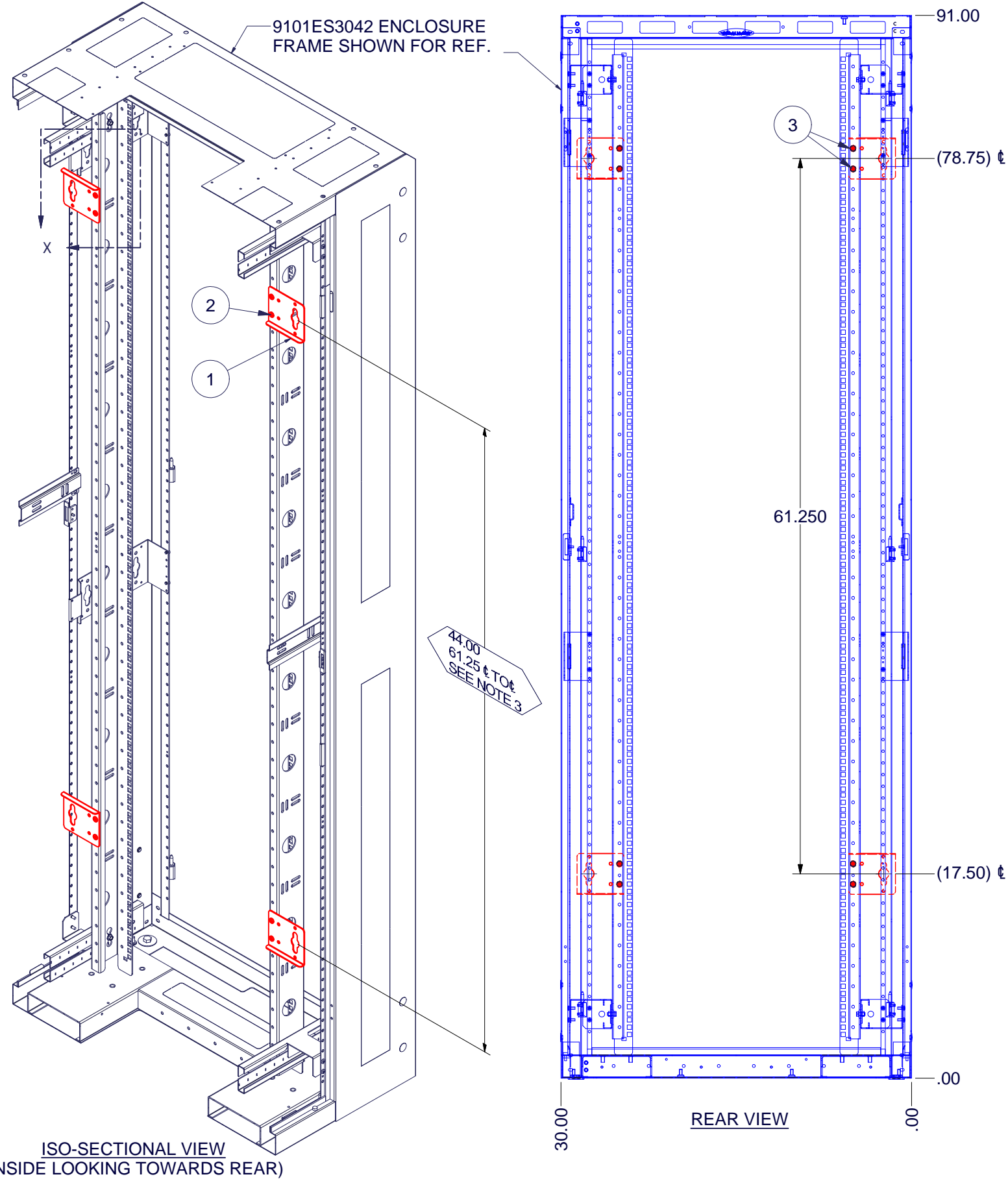
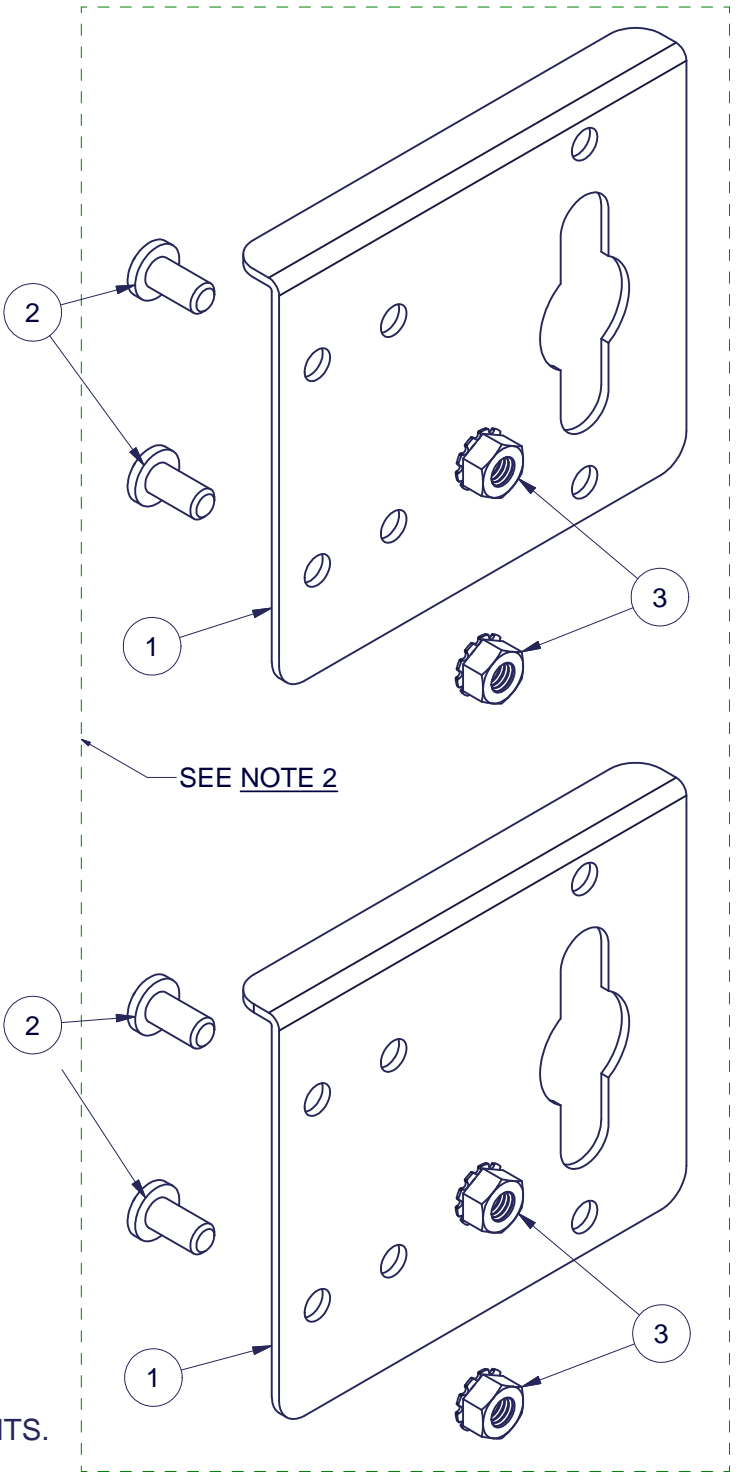


REV	DESCRIPTION	DATE	APPROVED
0	ECO-06557	5/7/2015	FED
1	ECO-06722	11/11/2015	WSS

ITEM	PART NUMBER	STOCK #	QTY	DESCRIPTION	FILE NAME	Rev
1			2	POWER STRIP BRACKET FOR 30ES RAIL MOUNT - DETAIL	I024335.ipt	0
2		H01-113	4	SCREW M6 X 12 MM LG PHILLIPS PAN HEAD MACH SCREW	H01-113.ipt	-
3	H02-053	H02-053	4	NUT M6 KEPPS TOOTH NUT RBZ	H02-053.ipt	-



DETAIL X
TYP - (2) PLC'S
PER RAIL SHOWN,
SEE NOTE 3



SPECIAL NOTES:

- 1) REFER TO PURCHASE ORDER - SPECIAL REQUIREMENTS MAY APPLY!
- 2) PLASTIC WRAP PDU BRACKETS. PUT ALL MOUNTING HARDWARE IN IT'S SEPARATE PLASTIC BAG. THEN BAG ALL PARTS AND BOX THEM AS REQUIRED FOR SHIPPING.
- 3) AT INSTALLATION, PDU BRACKETS ARE TO BE MOUNTED TO THE EQUIPMENT RAILS AS SHOWN IN DETAIL X. BRACKET SPACING CAN BE DETERMINED BY THE MOUNTING BUTTONS LOCATED ON THE REAR OF THE PDU (44" or 61.25" ARE COMMON). AJUSTABLE IN 1.75" INCREMENTS.

ISO-SECTIONAL VIEW
(INSIDE LOOKING TOWARDS REAR)

EST. WEIGHT :
0.64 lbmass

INTERPRET DRAWING PER ASME Y14.5M-1994
DIMENSIONAL LIMITS APPLY
AFTER APPLICATION OF FINISH
DRAWING NOT TO SCALE
TOLERANCE UNLESS OTHERWISE NOTED:
ANGULAR +/- 1°
.XXXX +/- .010
.XXX +/- .015
.XX +/- .030
.X FOR REF. ONLY
UNLESS OTHERWISE SPECIFIED
ALL DIMENSIONS ARE IN INCHES

NOTICE:
Use of this document is subject to a confidentiality and nondisclosure agreement with Great Lakes Case & Cabinet Co., Inc. (GLCC) and may not be reproduced, disclosed or utilized in whole or in part without prior written authorization from GLCC.

PART NUMBER: PSBKESR30X100
QTY PER UNIT: 1
MATERIAL TYPE: CRS
MATERIAL GAUGE: 14 GA
FINISH: POWDERCOATED
DRAWN: FED
CHECKED & APP. WSS
DATE: 5/7/2015

TITLE: POWER STRIP BRACKET FOR 30ES RAIL MOUNT (KIT OF 2)
GREAT LAKES CASE & CABINET CO., INC.
P.O. BOX 551 EDINBORO, PA 16412
PHONE (814) 734-7303 FAX (814) 734-3907
E-MAIL glcc@greatcabinets.com
DWG NO: I024334
REV: 1
SHEET: 1 OF 1