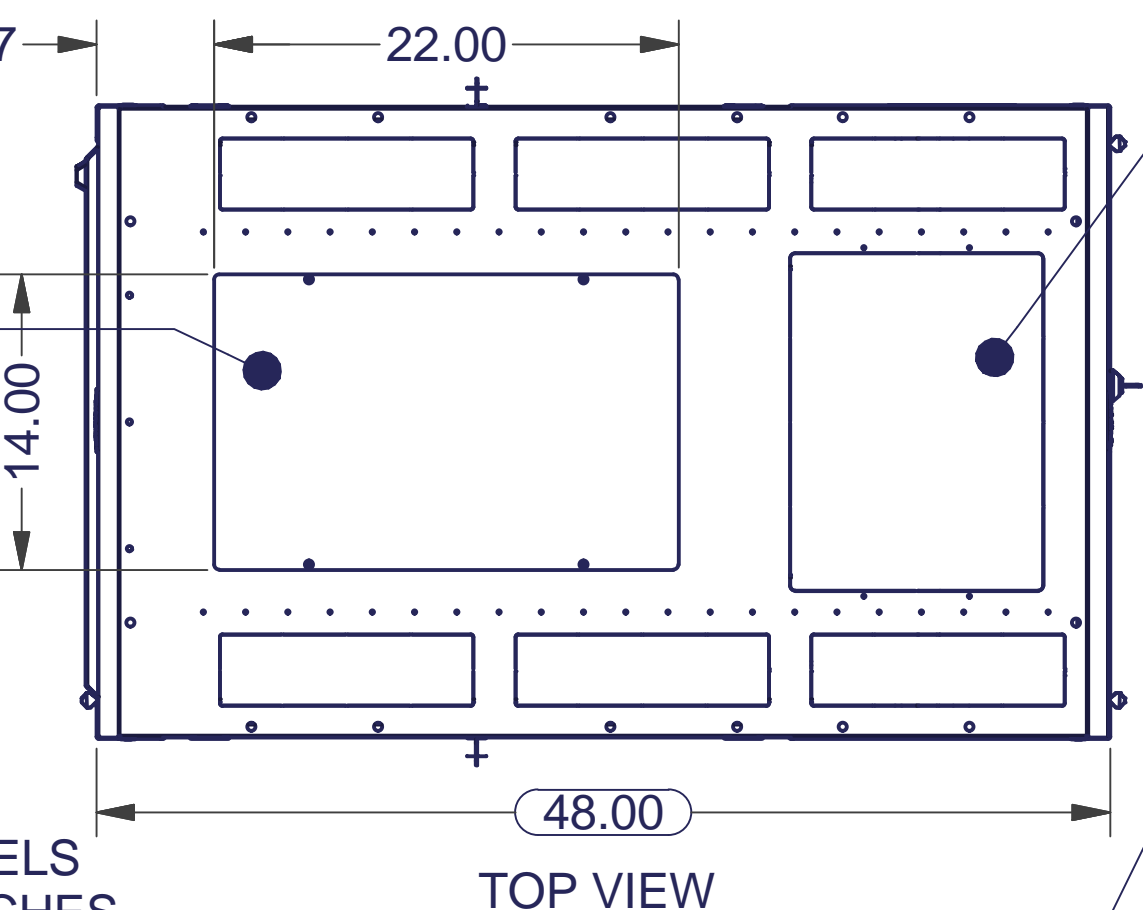
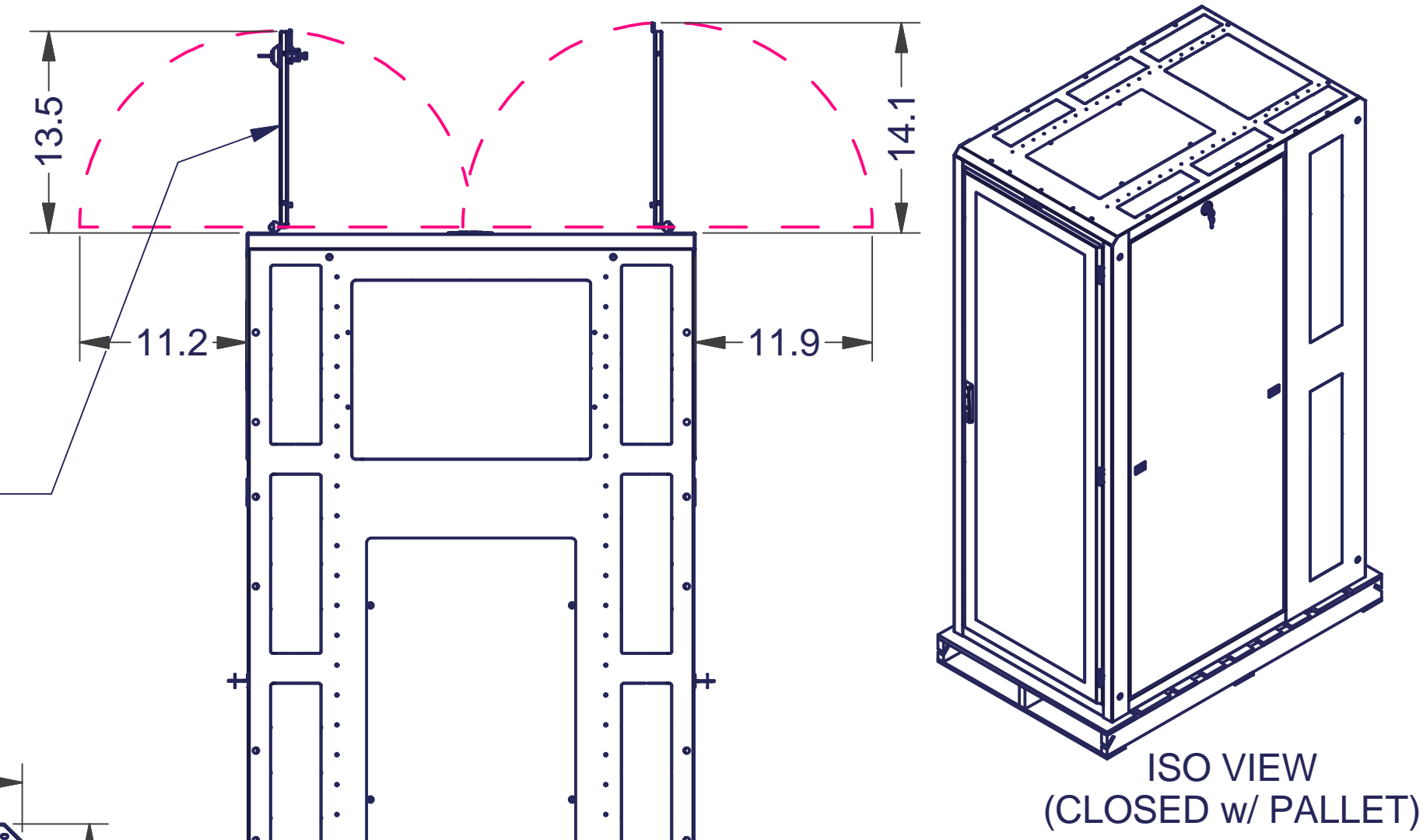


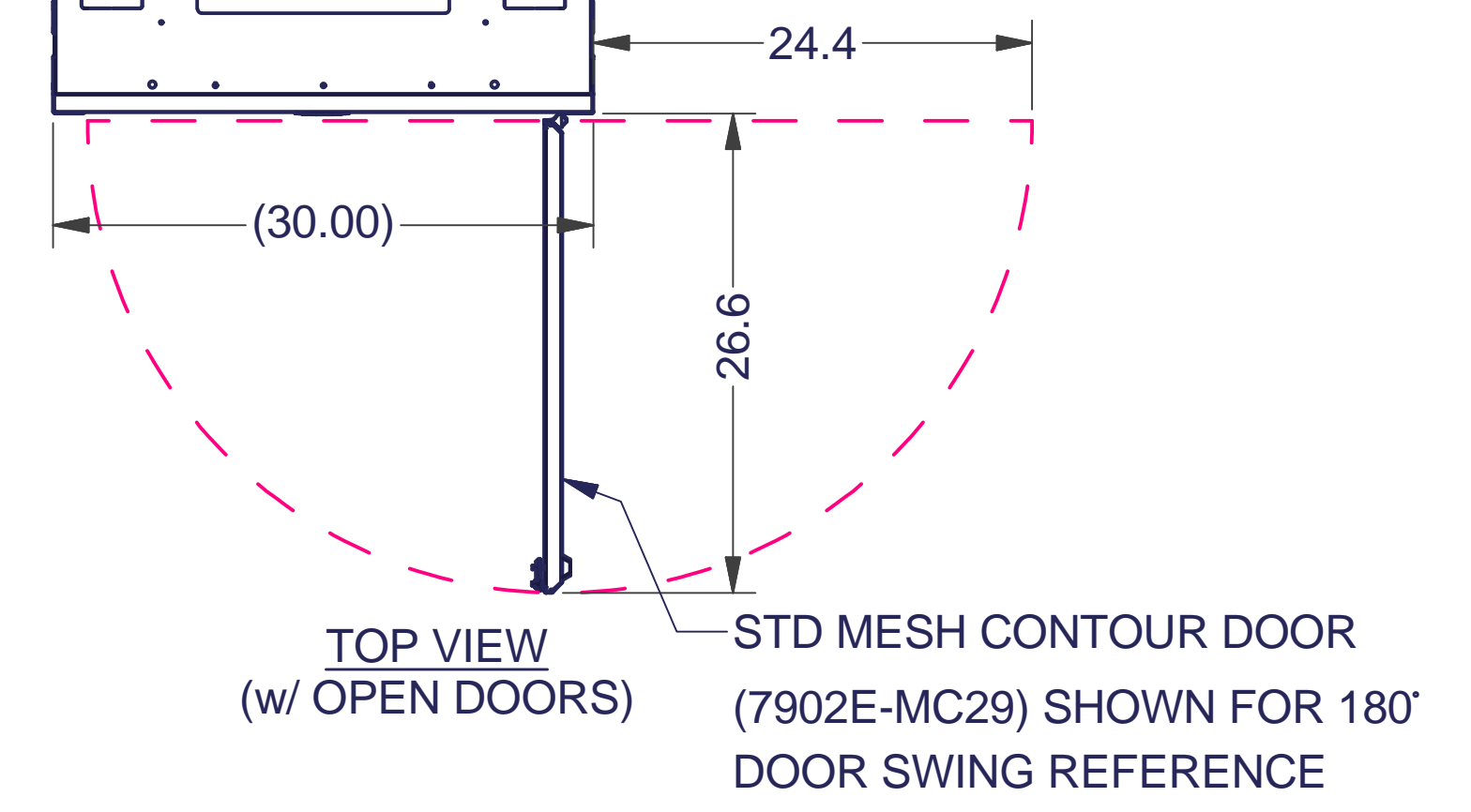
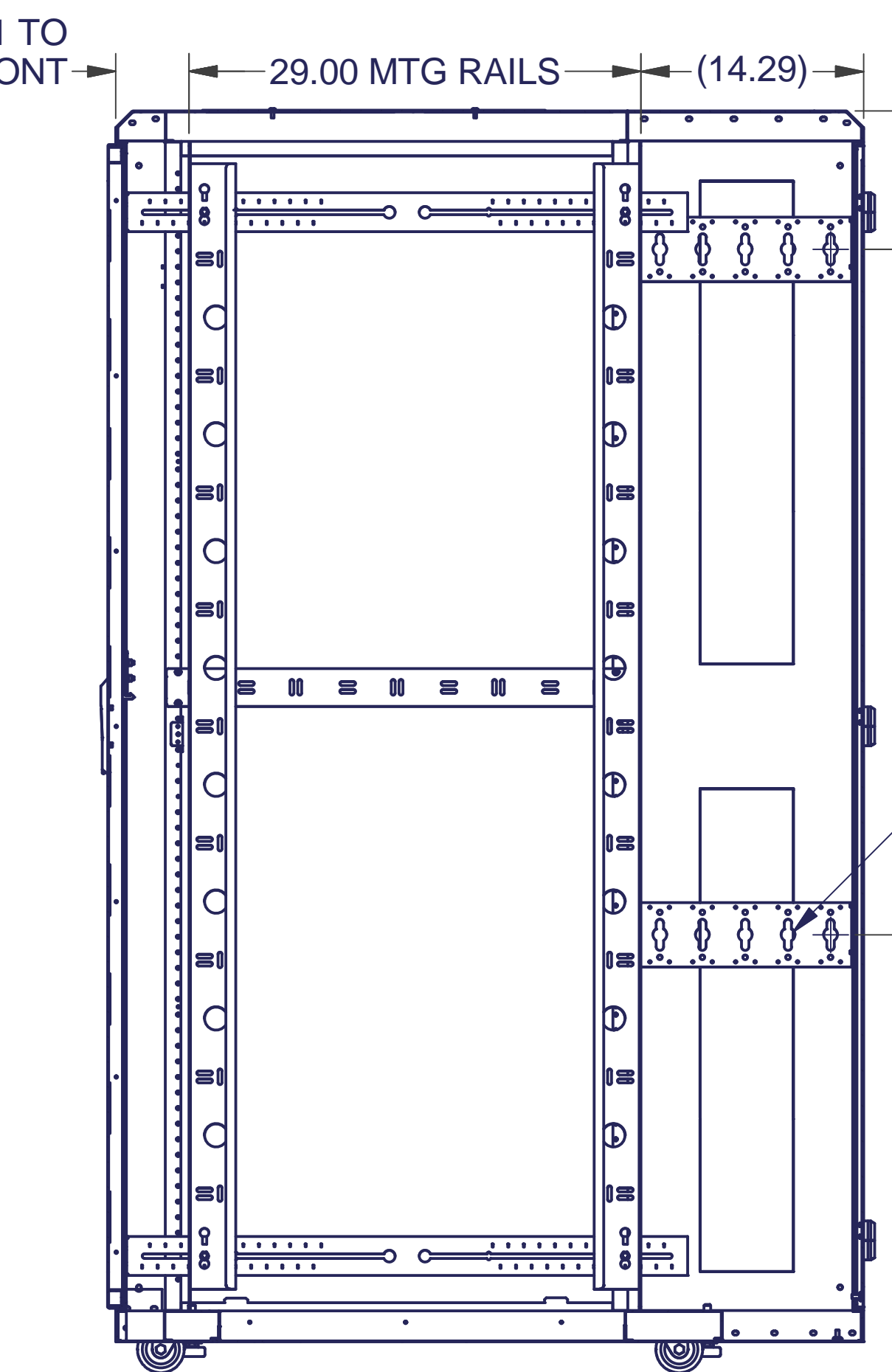
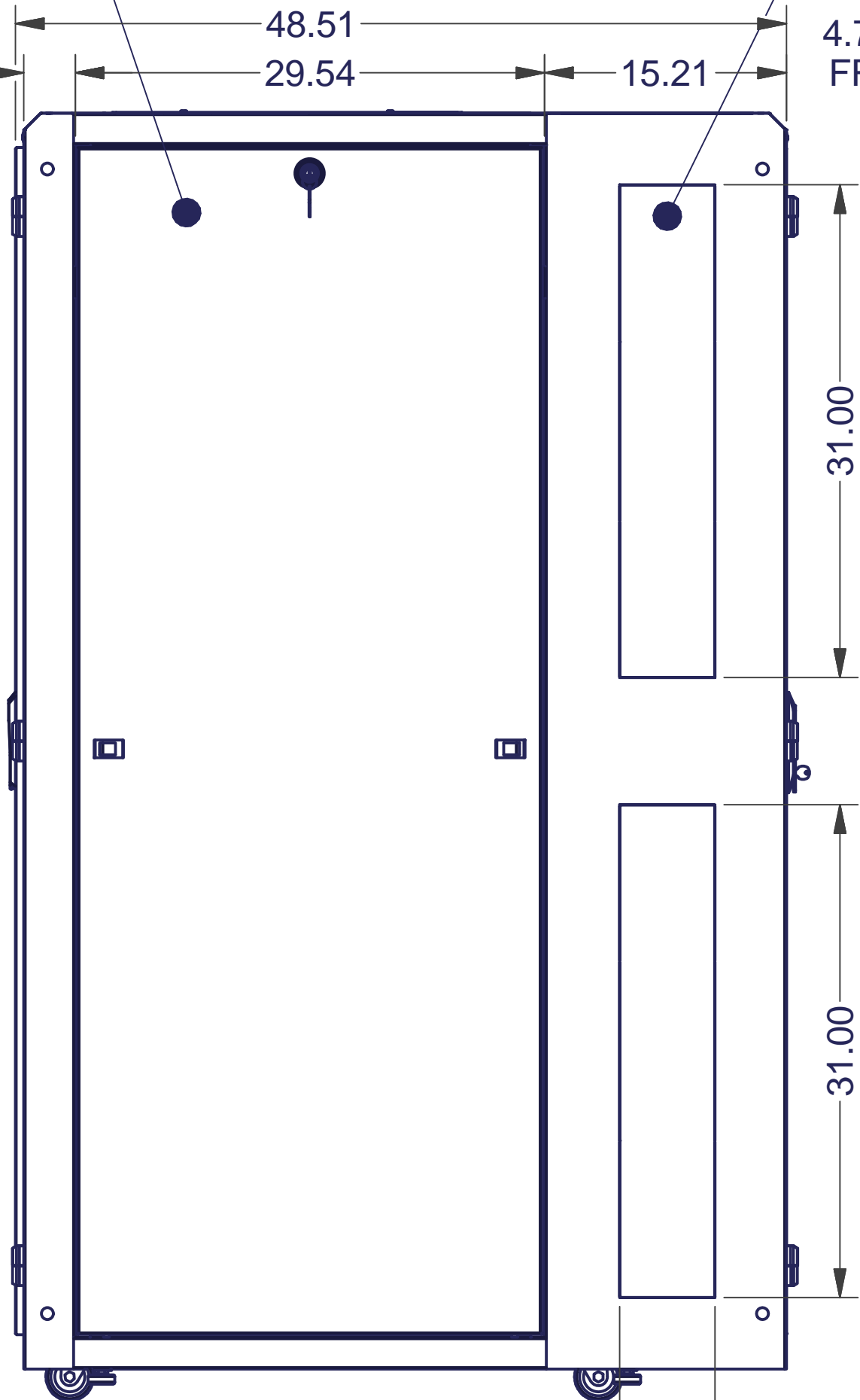
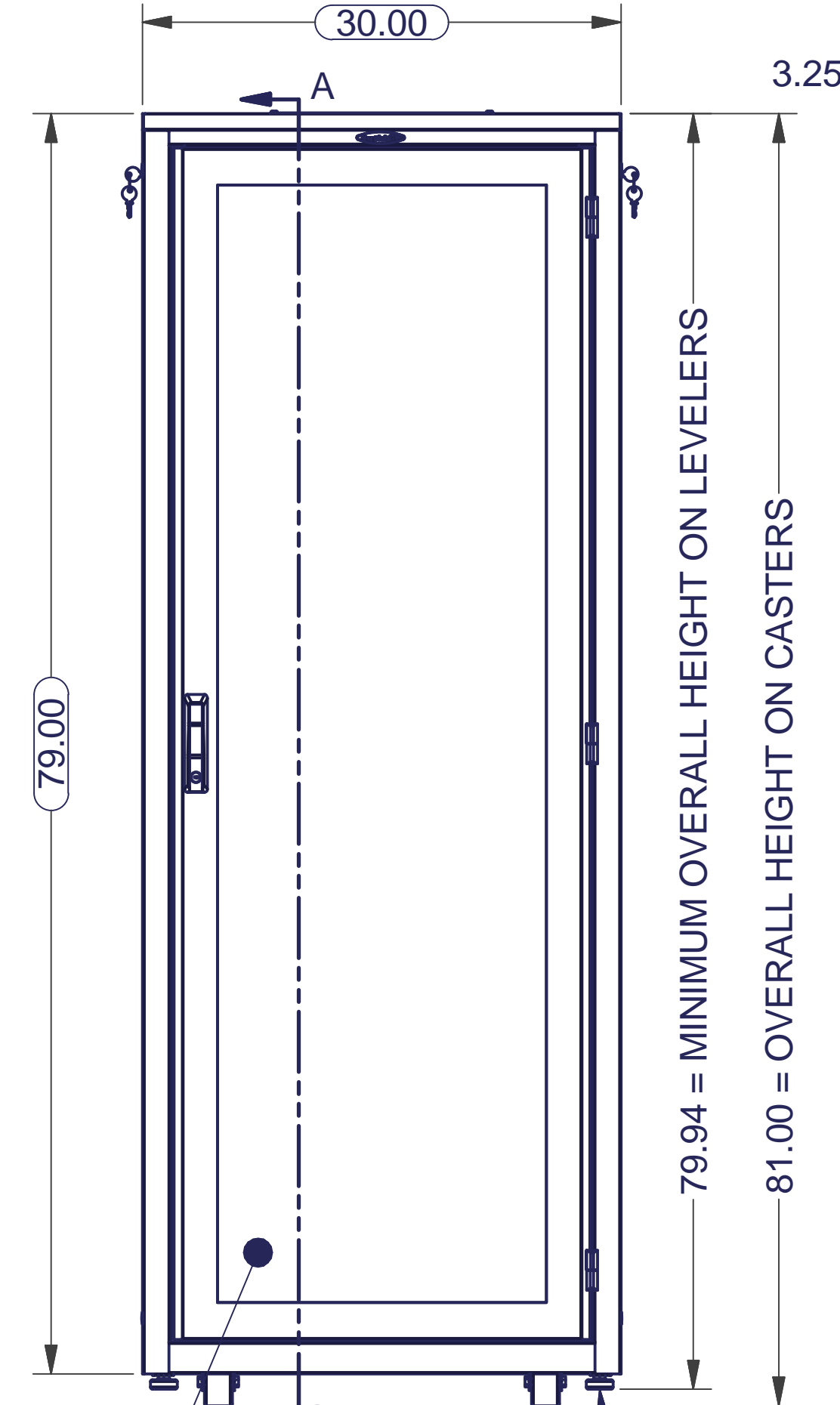
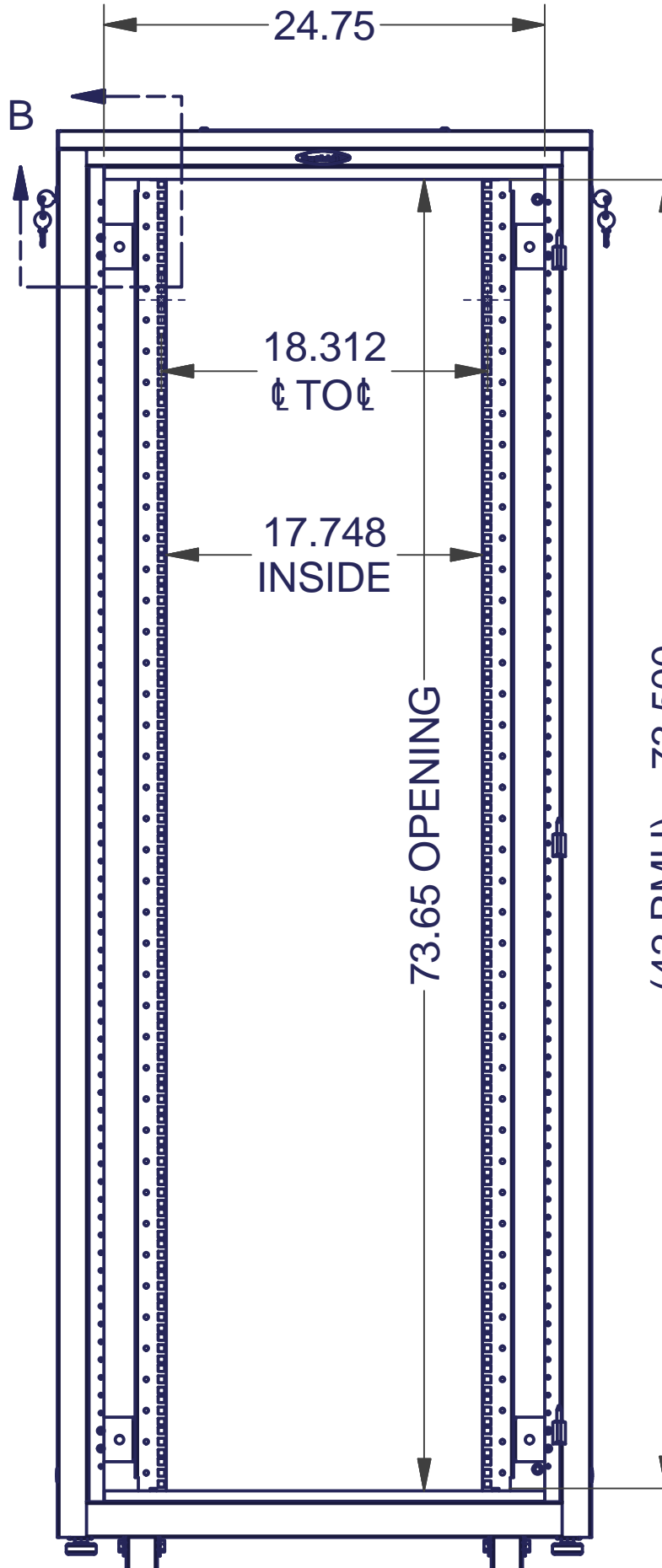
(TPES-S) SOLID TOP PANEL
 OPENING OF (308 sq. in.) SOLID,
 VENTED, OR w/ (2) EXHAUST FANS
 FOR UP TO 1100 CFM AIR FLOW



OPTIONAL SPLIT SOLID DOOR SET (7903E-SS29) w/ EASY 3-PT LOCKING LATCH IS SHOWN FOR 180° DOOR SWING REFERENCE (SPLIT MESH AND SPLIT FAN DOORS ARE ALSO AVAILABLE)



PAIR OF STANDARD SOLID LIFT OFF SIDE PANELS (7910-36ELS) w/ LOCK & FINGER RELEASE LATCHES



UNIVERSAL POWER STRIP MOUNTING BRACKETS KEYED BUTTON MOUNTING WILL ACCEPT 5 PDU's, (1) 65"L (MAX.) & (4) 75"L (MAX.) X 2.5"W PER SIDE

SPECIFICATIONS:

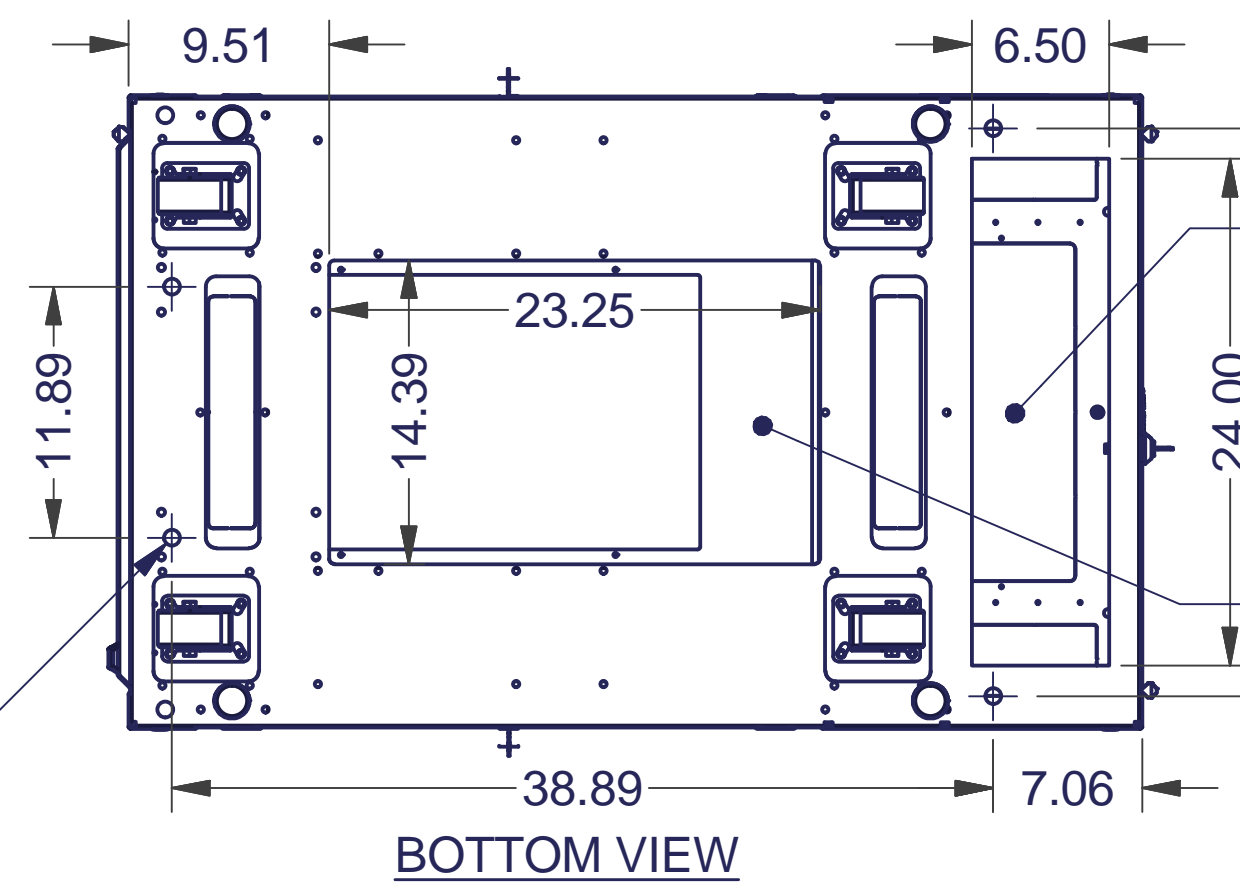
- DIMENSIONS :** 79.0"H (81.0"H w/ OPTIONAL CASTERS) x 30.0"W x 48.0"D
- RACK SPACES :** 42 RMU w/ NUMBERED RMU INDICATORS, 19" EIA 310-E COMPLIANT.
- RAILS RATED AT :** 3300 lbs
- ENCLOSURE WEIGHT =** 427 lbs.
- COLOR :** DURABLE TEXTURED BLACK POWDERCOATING (STANDARD)
- CERTIFICATIONS :** UL 2416 STANDARD FOR IT. & COMMUNICATIONS EQUIPMENT, ENCLOSURES.
- CONSTRUCTION :** 2 PAIR MOUNTING RAILS.....#12 GA. C.R.S. FULLY WELDED FRAME.....#14 & #12 GA. C.R.S. DOORS, SIDE PANELS, TOP PANEL..#16 C.R.S.
- HARDWARE :** PACKAGE OF (QTY 50) M6 OR #10-32 SCREWS AND CAGE NUTS INCLUDED.

SUPPLIED AS STANDARD, THE MESH CONTOUR FRONT DOOR (7902E-MC24) w/ EASY LATCH LOCKING HANDLE (IS LIFT-OFF & FIELD-REVERSIBLE)

(4) OPTIONAL CASTERS AVAILABLE

(4) LEVELING GLIDES ARE SUPPLIED AS STANDARD, IN 1/2-13UNC THD. HOLES

Ø.75 FLOOR MTG. HOLES



INTERPRET DRAWING PER ASME Y14.5M-1994
 DIMENSIONAL LIMITS APPLY AFTER APPLICATION OF FINISH
 DRAWING NOT TO SCALE
 TOLERANCE UNLESS OTHERWISE NOTED:
 ANGULAR +/- 1'
 .XXXX +/- .010
 .XXX +/- .015
 .XX +/- .030
 .X FOR REF. ONLY

NOTICE:
 Use of this document is subject to a confidentiality and nondisclosure agreement with Great Lakes Case & Cabinet Co., Inc. (GLCC) and may not be reproduced, disclosed or utilized in whole or in part without prior written authorization from GLCC.

PART NUMBER:	7901ES3048MSS
QTY PER UNIT:	1
MATERIAL TYPE:	CRS
MATERIAL GAUGE:	SEE SPECS.
FINISH:	SEE SPECS.
DRAWN:	FEB 2/3/2015
CHECKED:	WSS 2/3/2015

TITLE	ENHANCED SERVER ENCLOSURE, 42 RMU, 19" EIA, 79"H x 30"W x 48"D		
Great Lakes case & cabinet co., inc.			
<small>P.O. BOX 551 EDINBORO, PA 16412 PHONE (814) 734-7303 FAX (814) 734-3907 E-MAIL: glcc@greatcabinets.com</small>			
DWG NO:	790ES-3048MSS	REV	0
		SHEET 1 OF 1	



UNLESS OTHERWISE SPECIFIED ALL DIMENSIONS ARE IN INCHES