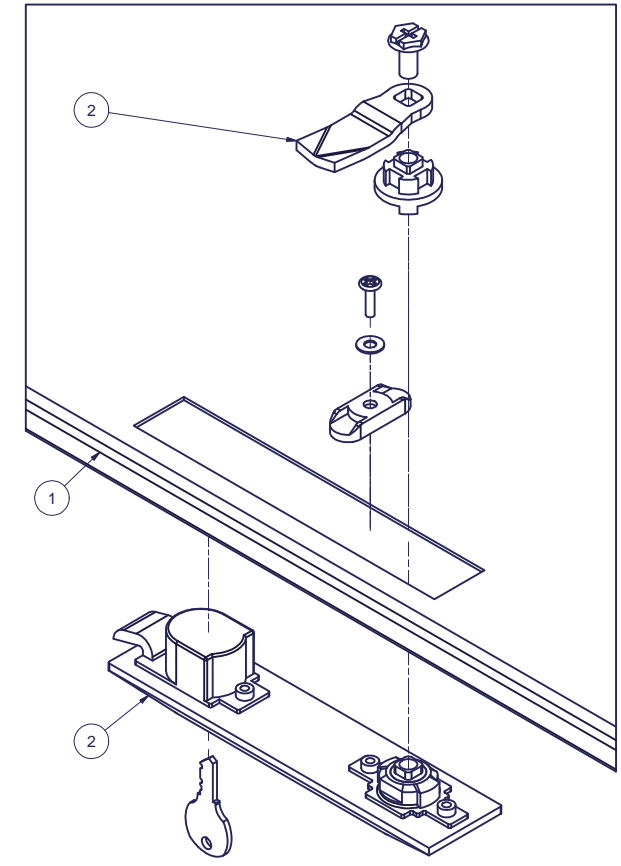
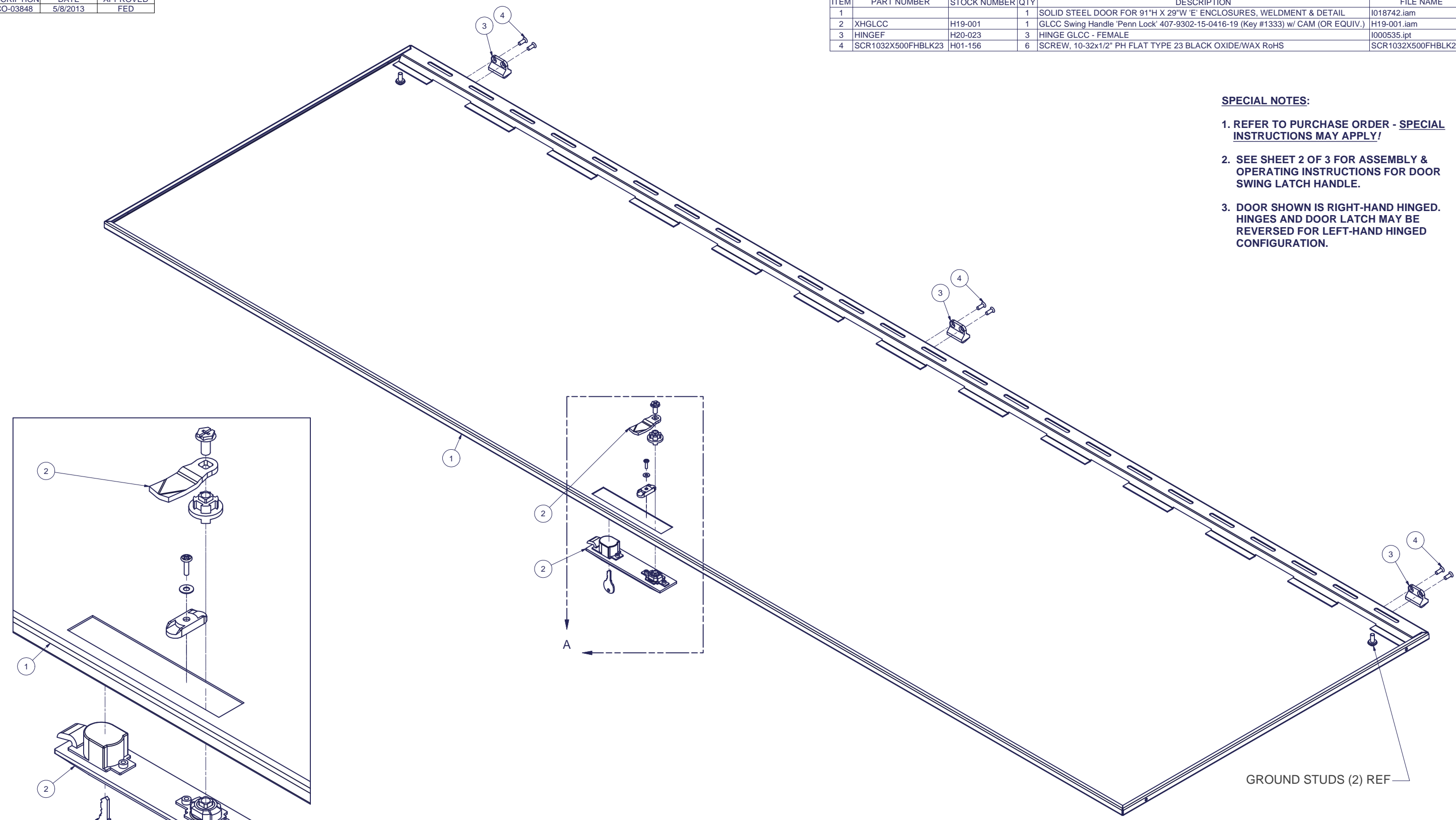


REVISION HISTORY			
REV	DESCRIPTION	DATE	APPROVED
0	ECO-03848	5/8/2013	FED

Bill of Material						
ITEM	PART NUMBER	STOCK NUMBER	QTY	DESCRIPTION	FILE NAME	REVISION
1			1	SOLID STEEL DOOR FOR 91"H X 29"W 'E' ENCLOSURES, WELDMENT & DETAIL	I018742.iam	0
2	XHGLCC	H19-001	1	GLCC Swing Handle 'Penn Lock' 407-9302-15-0416-19 (Key #1333) w/ CAM (OR EQUIV.)	H19-001.iam	
3	HINGEF	H20-023	3	HINGE GLCC - FEMALE	I000535.ipt	1
4	SCR1032X500FHBLK23	H01-156	6	SCREW, 10-32x1/2" PH FLAT TYPE 23 BLACK OXIDE/WAX RoHS	SCR1032X500FHBLK23.ipt	

**SPECIAL NOTES:**

1. REFER TO PURCHASE ORDER - **SPECIAL INSTRUCTIONS MAY APPLY!**
2. SEE SHEET 2 OF 3 FOR ASSEMBLY & OPERATING INSTRUCTIONS FOR DOOR SWING LATCH HANDLE.
3. DOOR SHOWN IS RIGHT-HAND HINGED. HINGES AND DOOR LATCH MAY BE REVERSED FOR LEFT-HAND HINGED CONFIGURATION.



**DETAIL A**  
SEE SHEET 2 OF 3 FOR LATCH INFORMATION

GROUND STUDS (2) REF

EST. WEIGHT :  
40.69 lbmass

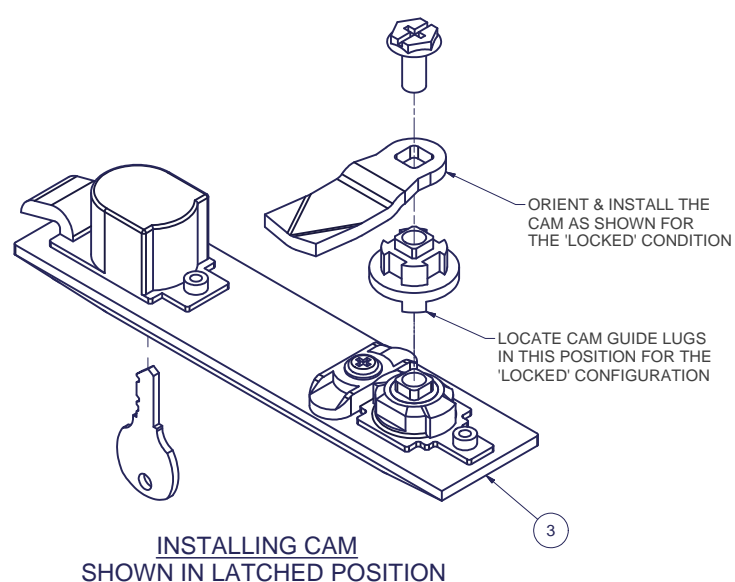


INTERPRET DRAWING PER ASME Y14.5M-1994  
DIMENSIONAL LIMITS APPLY AFTER APPLICATION OF FINISH  
DRAWING NOT TO SCALE  
TOLERANCE UNLESS OTHERWISE NOTED:  
ANGULAR +/- .1'  
.XXXX +/- .010  
.XXX +/- .015  
.XX +/- .030  
.X FOR REF. ONLY  
UNLESS OTHERWISE SPECIFIED ALL DIMENSIONS ARE IN INCHES

**NOTICE:**  
Use of this document is subject to a confidentiality and nondisclosure agreement with Great Lakes Case & Cabinet Co., Inc. (GLCC) and may not be reproduced, disclosed or utilized in whole or in part without prior written authorization from GLCC.

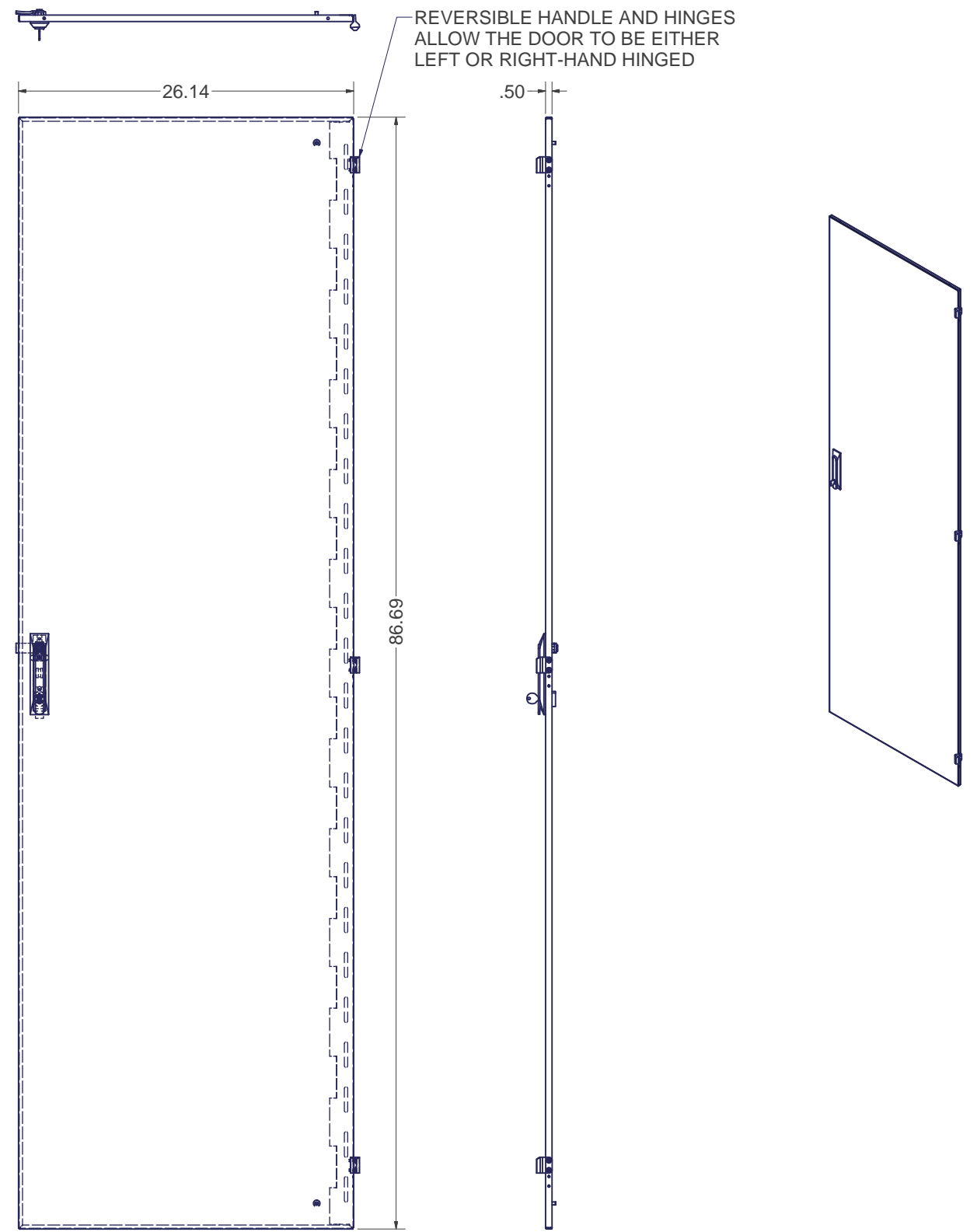
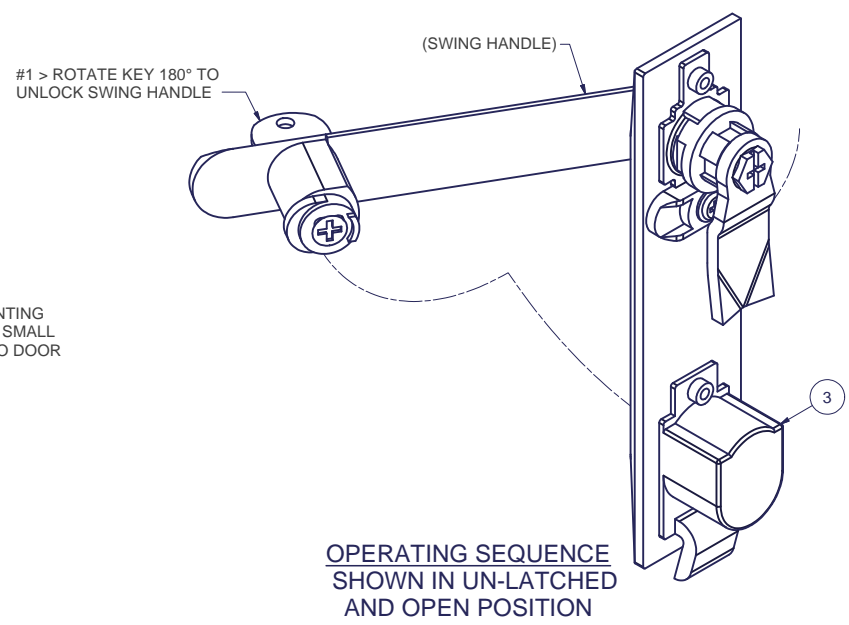
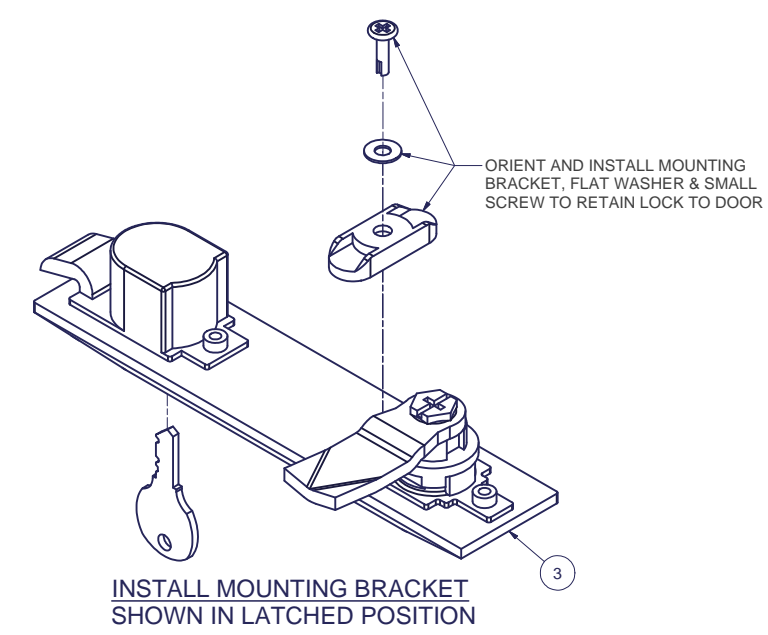
PART NUMBER: 9103E29X100  
QTY PER UNIT: 1  
MATERIAL TYPE: CRS  
MATERIAL GAUGE: SEE DETAILS  
FINISH: POWDERCOATED  
DRAWN: DATE 5/8/2013  
FED: DATE 5/8/2013  
CHECKED & APP. WSS

TITLE: **SOLID DOOR FOR 91"H x 29"W 'E' ENCLOSURE, ASSEMBLY**  
GREAT LAKES CASE & CABINET CO., INC.  
P.O. BOX 551 EDINBORO, PA 16412  
PHONE (814) 734-7303 FAX (814) 734-3907  
E-MAIL glcc@greatcabinets.com  
DWG NO: **1018741**  
REV: **0**  
SHEET: 1 OF 3



**SPECIAL NOTES (CONT'D):**

1. REFER TO PURCHASE ORDER - SPECIAL INSTRUCTIONS MAY APPLY!
2. REMAINING NOTES ARE ON SHEET 1 OF 3.



FRONT VIEW

HINGED SIDE VIEW

EST. WEIGHT :  
40.69 lbmass



INTERPRET DRAWING PER ASME Y14.5M-1994
DIMENSIONAL LIMITS APPLY AFTER APPLICATION OF FINISH
DRAWING NOT TO SCALE
TOLERANCE UNLESS OTHERWISE NOTED:
ANGULAR +/- .1°
.XXXX +/- .010
.XXX +/- .015
.XX +/- .030
.X FOR REF. ONLY
UNLESS OTHERWISE SPECIFIED ALL DIMENSIONS ARE IN INCHES

**NOTICE:**

Use of this document is subject to a confidentiality and nondisclosure agreement with Great Lakes Case & Cabinet Co., Inc. (GLCC) and may not be reproduced, disclosed or utilized in whole or in part without prior written authorization from GLCC.

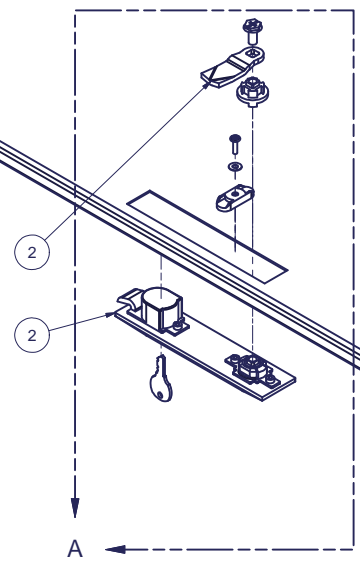
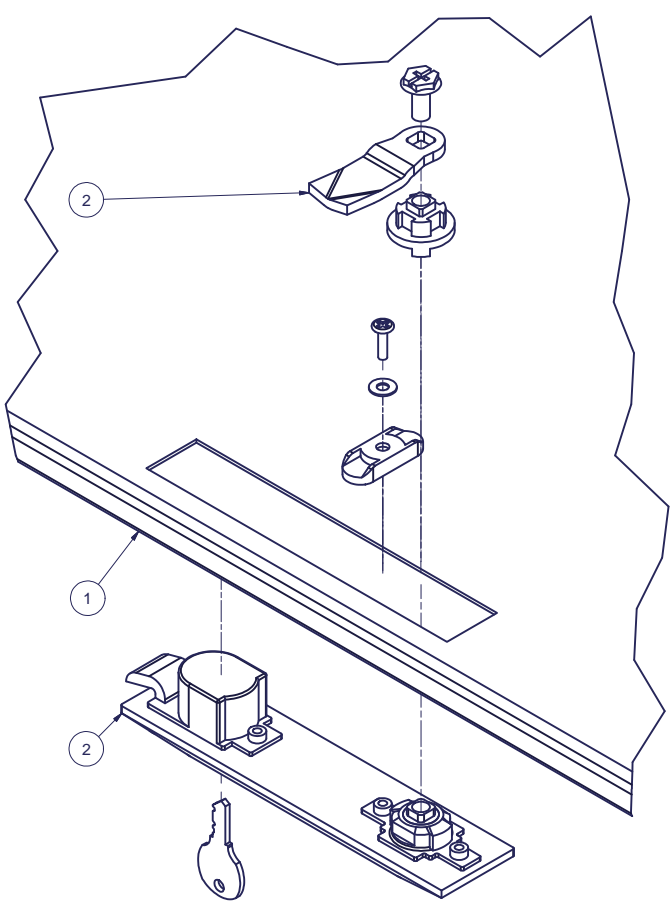
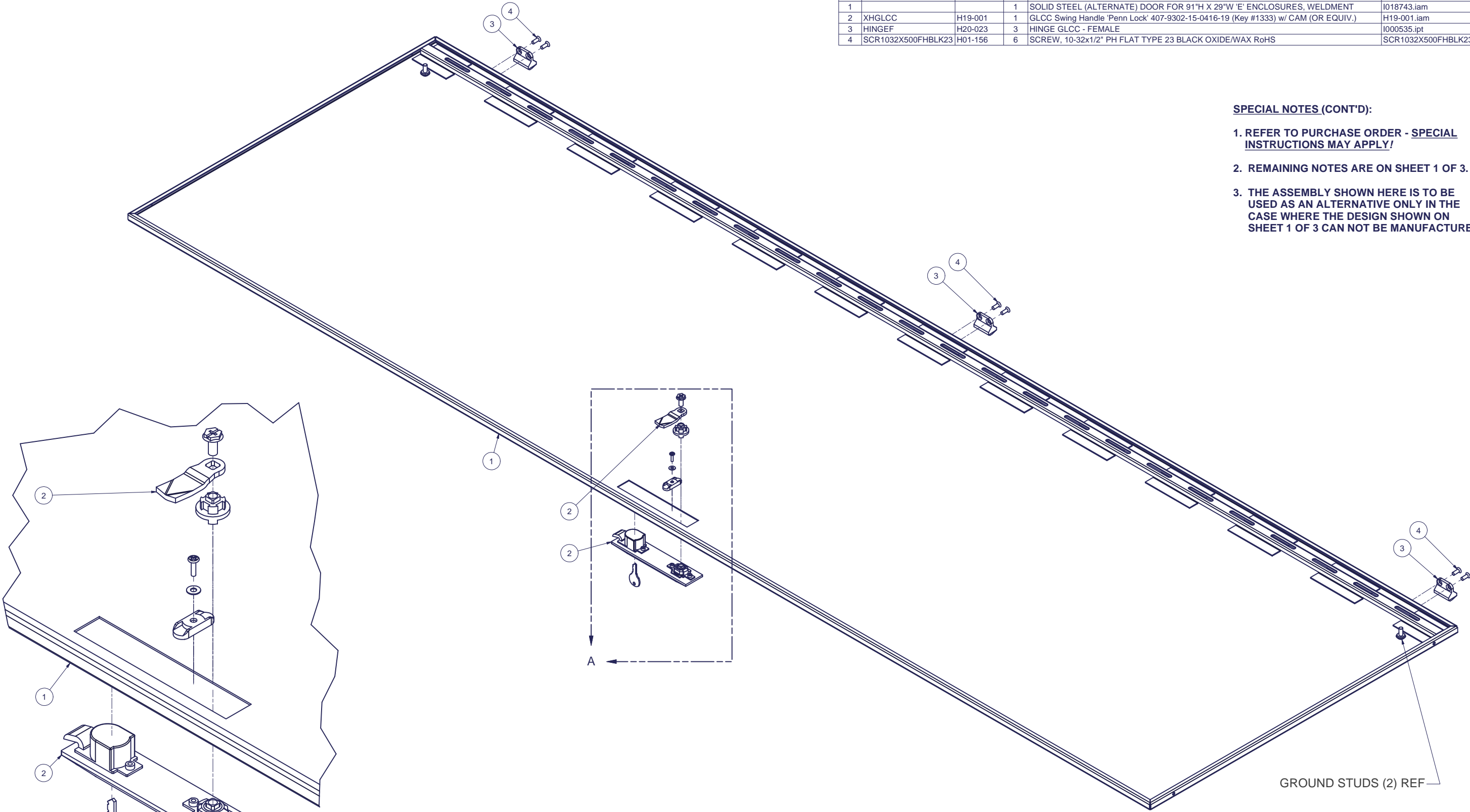
PART NUMBER: 9103E29X100
QTY PER UNIT: 1
MATERIAL TYPE: CRS
MATERIAL GAUGE: SEE DETAILS
FINISH: POWDERCOATED
DRAWN DATE FED 5/8/2013
CHECKED & APP. DATE WSS 5/8/2013

TITLE SOLID DOOR FOR 91"H x 29"W 'E' ENCLOSURE, ASSEMBLY
GREAT LAKES CASE & CABINET CO., INC. P.O. BOX 551 EDINBORO, PA 16412 PHONE (814) 734-7303 FAX (814) 734-3907 E-MAIL glcc@greatcabinets.com
DWG NO. 1018741
REV 0
SHEET: 2 OF 3

Bill of Material						
ITEM	PART NUMBER	STOCK NU	QTY	DESCRIPTION	FILE NAME	REVISION
1			1	SOLID STEEL (ALTERNATE) DOOR FOR 91"H X 29"W 'E' ENCLOSURES, WELDMENT	I018743.iam	0
2	XHGLCC	H19-001	1	GLCC Swing Handle 'Penn Lock' 407-9302-15-0416-19 (Key #1333) w/ CAM (OR EQUIV.)	H19-001.iam	
3	HINGEF	H20-023	3	HINGE GLCC - FEMALE	I000535.ipt	1
4	SCR1032X500FHBLK23	H01-156	6	SCREW, 10-32x1/2" PH FLAT TYPE 23 BLACK OXIDE/WAX RoHS	SCR1032X500FHBLK23.ipt	

**SPECIAL NOTES (CONT'D):**

1. REFER TO PURCHASE ORDER - **SPECIAL INSTRUCTIONS MAY APPLY!**
2. REMAINING NOTES ARE ON SHEET 1 OF 3.
3. THE ASSEMBLY SHOWN HERE IS TO BE USED AS AN ALTERNATIVE ONLY IN THE CASE WHERE THE DESIGN SHOWN ON SHEET 1 OF 3 CAN NOT BE MANUFACTURED.



GROUND STUDS (2) REF

**DETAIL A**  
SEE SHEET 2 OF 3 FOR  
LATCH INFORMATION

CHANGED LOCK  ADDED SHEET 3 OF 3  EST. WEIGHT : 41.59 lbmass  	INTERPRET DRAWING PER ASME Y14.5M-1994 DIMENSIONAL LIMITS APPLY AFTER APPLICATION OF FINISH DRAWING NOT TO SCALE TOLERANCE UNLESS OTHERWISE NOTED: ANGULAR +/- .1" .XXXX +/- .010 .XXX +/- .015 .XX +/- .030 .X FOR REF. ONLY	<b>NOTICE:</b> Use of this document is subject to a confidentiality and nondisclosure agreement with Great Lakes Case & Cabinet Co., Inc. (GLCC) and may not be reproduced, disclosed or utilized in whole or in part without prior written authorization from GLCC.	PART NUMBER: 9103E29X100 QTY PER UNIT: 1 MATERIAL TYPE: CRS MATERIAL GAUGE: SEE DETAILS FINISH: POWDERCOATED	TITLE <b>SOLID (ALTERNATE) DOOR FOR 91"H x 29"W 'E' ENCLOSURE, ASSEMBLY</b>  GREAT LAKES CASE & CABINET CO., INC. P.O. BOX 551 EDINBORO, PA 16412 PHONE (814) 734-7303 FAX (814) 734-3907 E-MAIL glcc@greatcabinets.com
	UNLESS OTHERWISE SPECIFIED ALL DIMENSIONS ARE IN INCHES		DRAWN FED CHECKED & APP. WSS	DATE 5/8/2013 DATE 5/8/2013