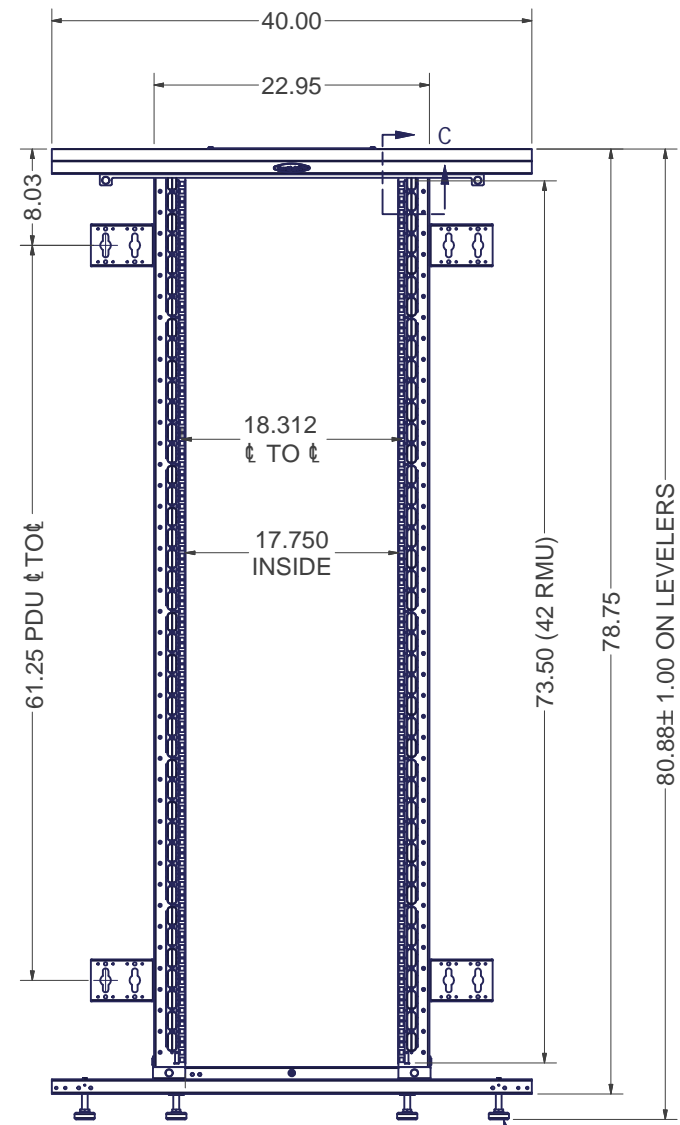
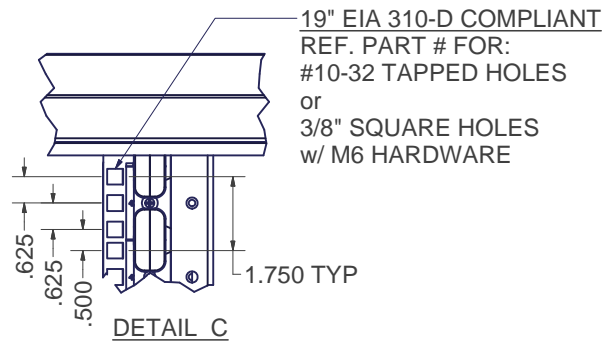
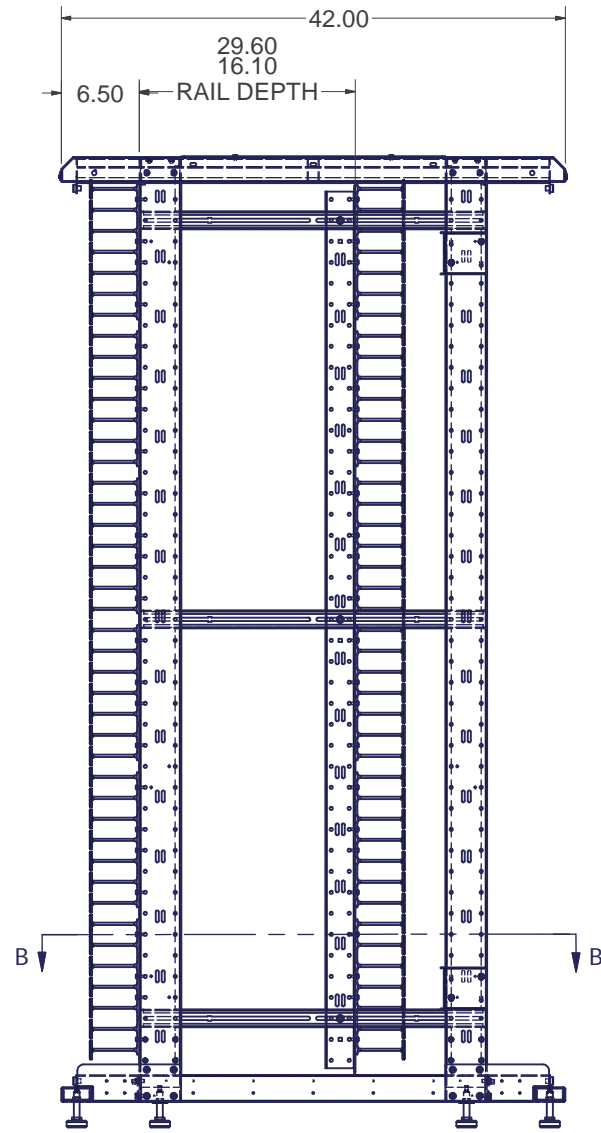


CONFIG PART #	
780ENT4042-FK	780EN4042-FK
EN FRAME 78"H x 40"W x 42"D WITH 2 PAIR OF 42 RMU #10-32 TAPPED RAILS, CABLE MANAGMENT FINGERS ON ALL RAILS	EN FRAME 78"H x 40"W x 42"D WITH 2 PAIR OF 42 RMU M6 RAILS, CABLE MANAGMENT FINGERS ON ALL RAILS



FRONT VIEW

(8) LEVELING GLIDES IN
1/2-13 UNC THREADED HOLES



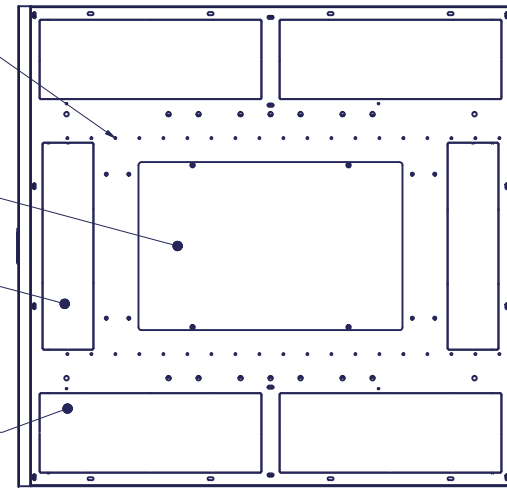
RIGHT SIDE VIEW

INDEPENDENT MOUNTING LOCATIONS
FOR LADDER RACK BRACKETS OR TOP
MOUNTED CABLE TROUGH OPTIONS

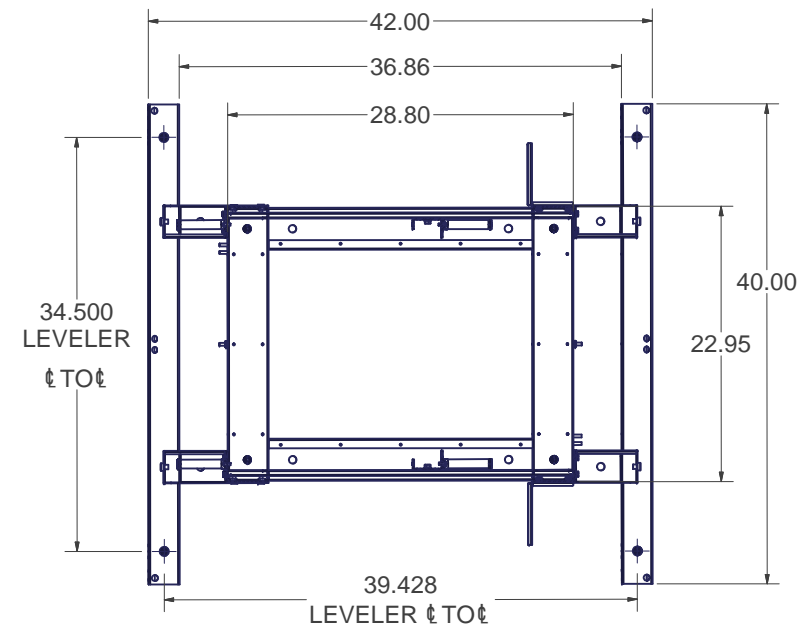
TOP PANEL OPENING (273 sq.in.);
SOLID, VENTED, OR w/ EXHAUST
FANS FLOWING UP TO 1100 CFM

4.25 x 17.25 CABLE PASS THROUGH
KNOCKOUT (73.3 sq.in.), 2 PLACES

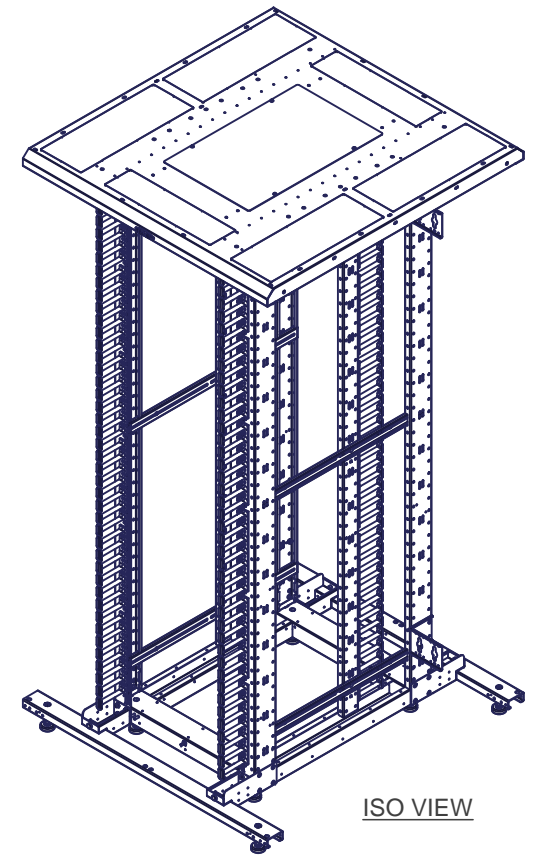
6.63 x 18.50 CABLE PASS THROUGH
KNOCKOUT (122.6 sq.in.), 4 PLACES



TOP VIEW



SECTION B-B



ISO VIEW

SPECIFICATIONS:

CONFIG. # KIT INCLUDES: (QTY 1) 7801ENX4042, BASE FRAME UNIT WITH RAILS

DIMENSIONS : 78.0"H x 40.0"W x 42.0"D

RACK SPACES : 42 RMU w/ NUMBERED RMU INDICATORS, 19" EIA 310-D COMPLIANT.

COLOR : DURABLE TEXTURED BLACK POWDER COATING

CONSTRUCTION : FULL WELDED STEEL FRAME WITH RECESSED #12 GA CORNER POSTS (1 PAIR) FIXED #12 GA RAILS & (1 PAIR) ADJUSTABLE DEPTH #12 GA RAILS AND SOLID TOP PANEL.

HARDWARE : PACKAGE OF (QTY 50); #10-32 SCREWS -or- M6 SCREWS w/ CAGE NUTS, INCLUDED.

EST. WEIGHT :
238.56 lbmass



INTERPRET DRAWING PER ASME Y14.5M-1994
DIMENSIONAL LIMITS APPLY
AFTER APPLICATION OF FINISH
DRAWING NOT TO SCALE
TOLERANCE UNLESS OTHERWISE NOTED:
ANGULAR +/- 1'
.XXXX +/- .010
.XXX +/- .015
.XX +/- .030
.X FOR REF. ONLY

UNLESS OTHERWISE SPECIFIED
ALL DIMENSIONS ARE IN INCHES

NOTICE:

Use of this document is subject to a confidentiality and nondisclosure agreement with Great Lakes Case & Cabinet Co., Inc. (GLCC) and may not be reproduced, disclosed or utilized in whole or in part without prior written authorization from GLCC.

PART NUMBER: SEE CHART	
QTY PER UNIT:	1
MATERIAL TYPE:	-
MATERIAL GAUGE:	-
FINISH:	-
DRAWN	DATE
ChrisM	5/12/2014
CHECKED & APP.	DATE
WSS	5/12/2014

TITLE EN ENCLOSURE FRAME KIT, 78"H x 40"W x 42"D w/ 42 RMU RAILS	
GREAT LAKES CASE & CABINET CO., INC. P.O. BOX 551 EDINBORO, PA 16412 PHONE (814) 734-7303 FAX (814) 734-3907 E-MAIL glcc@greatcabinets.com	
DWG NO.	REV
SEE CHART	SEE CHART
SHEET: 1 OF 1	