

CONFIG PART #

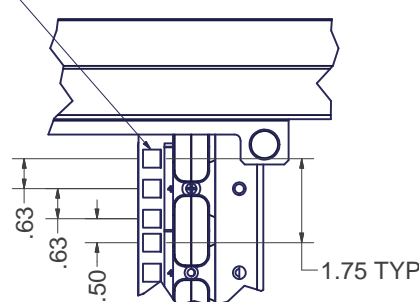
780ENT3248MSS

EN FRAME 78"H x 32"W x 48"D WITH 2 PAIR OF 42 RMU #10-32 TAPPED RAILS, CABLE MANAGEMENT FINGERS ON ALL RAILS, SOLID TOP, DUAL HINGE PERF FRONT DOOR, SPLIT PERF REAR DOOR AND SOLID SIDES

780EN3248MSS

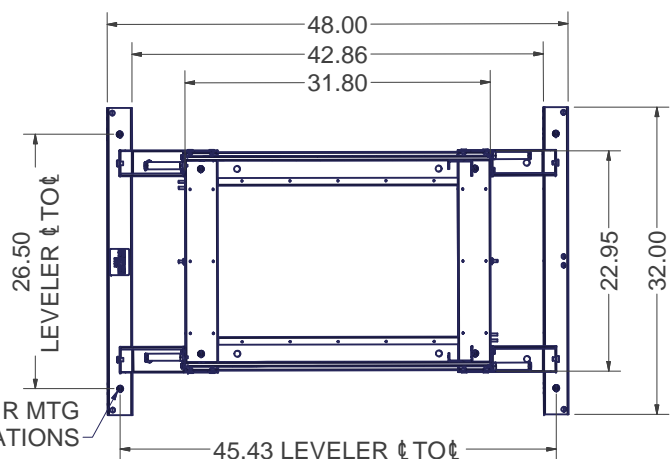
EN FRAME 78"H x 32"W x 48"D WITH 2 PAIR OF 42 RMU M6 RAILS, CABLE MANAGEMENT FINGERS ON ALL RAILS, SOLID TOP, DUAL HINGE PERF FRONT DOOR, SPLIT PERF REAR DOOR AND SOLID SIDES

19" EIA 310-D COMPLIANT
REF. PART # FOR:
#10-32 TAPPED HOLES
or
3/8" SQUARE HOLES
w/ M6 HARDWARE

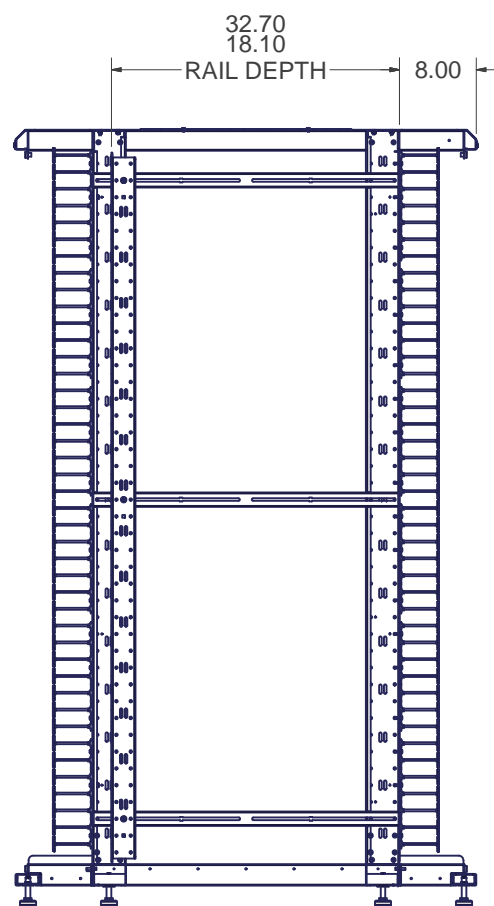


DETAIL C

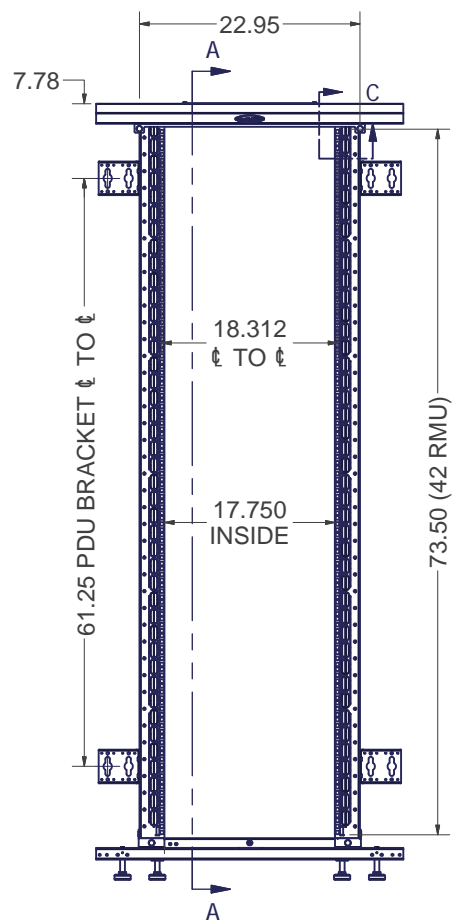
LEVELER MTG LOCATIONS



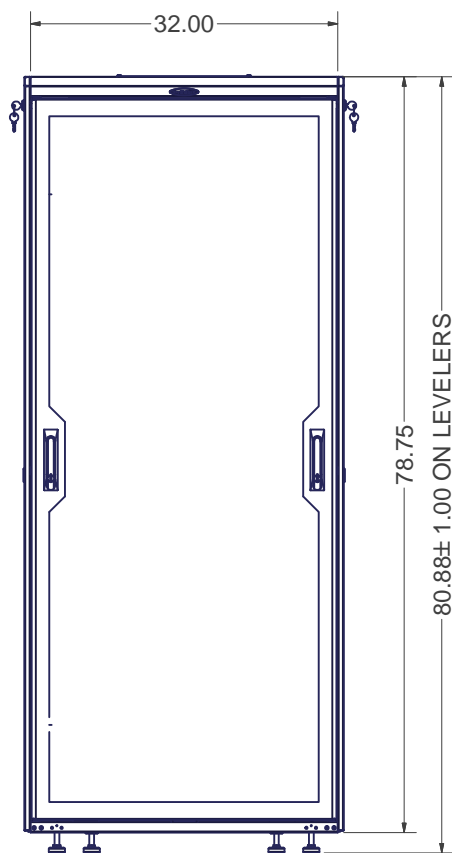
SECTION B-B
DOORS AND SIDES REMOVED



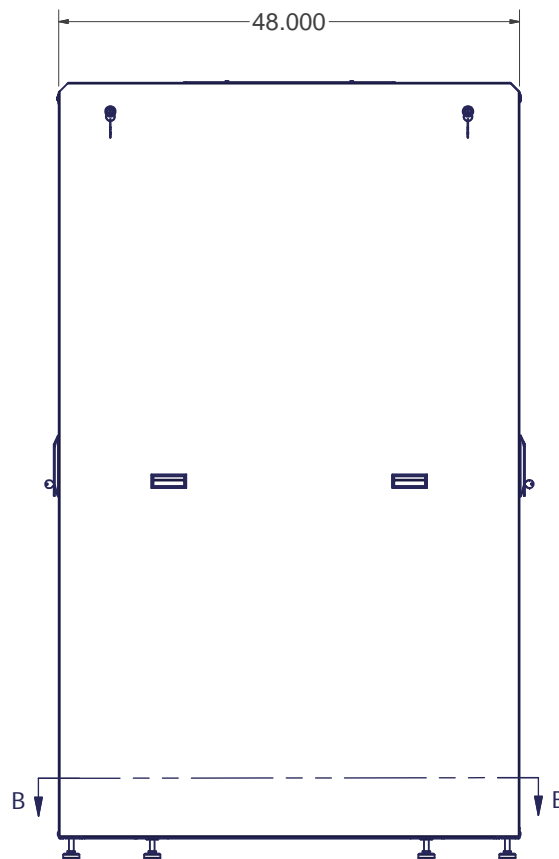
SECTION A-A



FRONT VIEW
DOORS AND SIDES REMOVED



FRONT VIEW



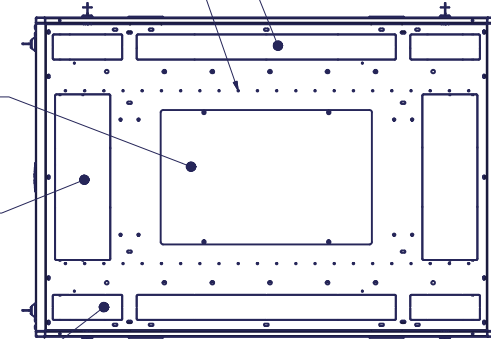
RIGHT SIDE VIEW

INDEPENDENT MOUNTING LOCATIONS FOR LADDERRACK BRACKETS OR TOP MOUNTED CABLE TROUGHS

TOP PANEL OPENING (273 sq.in.); SOLID, VENTED, OR WITH EXHAUST FANS UP TO 1100 CFM.

5.75 x 17.25 CABLE PASS THROUGH KNOCKOUT (99.19 sq.in.), 2 PLACES

2.63 x 7.25 CABLE PASS THROUGH KNOCKOUT (19.07 sq.in.), 4 PLACES

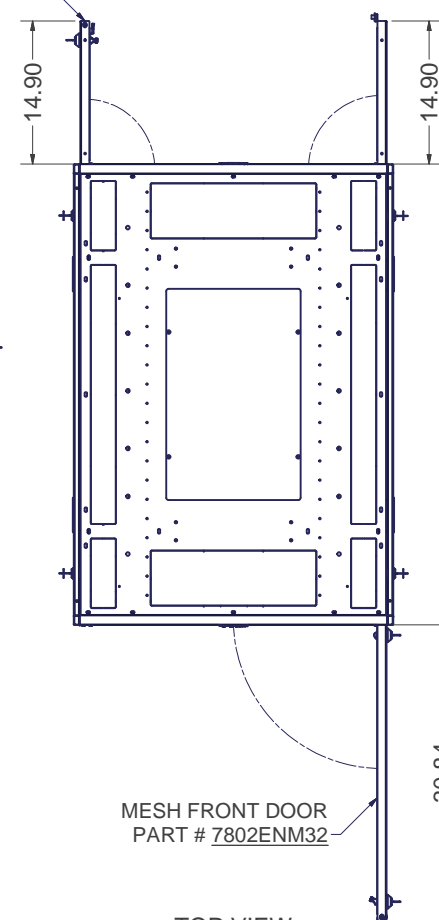


TOP VIEW

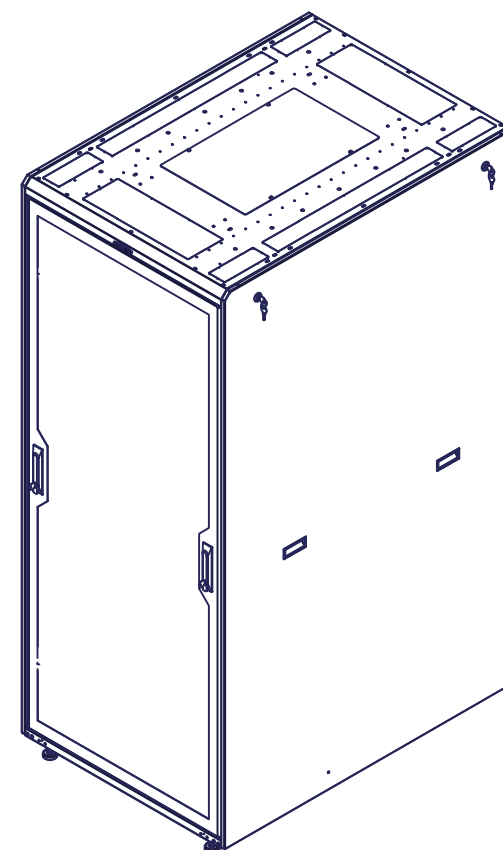
(8) LEVELING GLIDES IN 1/2-13 UNC THREADED HOLES

2.63 x 27.00 CABLE PASS THROUGH KNOCKOUT (71.01 sq.in.), 2 PLACES

SPLIT MESH REAR DOORS PART # 7802EN32SM



TOP VIEW



SPECIFICATIONS:

CONFIG. # KIT INCLUDES: QTY. 1 7801ENX3248, BASE FRAME UNIT WITH RAILS
QTY. 1 7802EN32SM, SPLIT MESH REAR DOOR ASSEMBLY
QTY. 1 7802ENM32, MESH FRONT DOOR ASSEMBLY
QTY. 2 7810481ENLS, SOLID LIFT-OFF SIDE PANEL ASSEMBLY

DIMENSIONS: 78.0"H x 32.0"W x 48.0"D

RACK SPACES: 42 RMU w/ NUMBERED RMU INDICATORS, 19" EIA 310-D COMPLIANT.

COLOR: DURABLE TEXTURED BLACK POWDER COATING

CONSTRUCTION: FULL WELDED FRAME WITH RECESSED #12 GA CORNER POSTS
1 PAIR FIXED #12 GA RAILS, 1 PAIR ADJUSTABLE DEPTH #12 GA RAILS
#16 C.R.S. DOORS & SIDE PANELS OF LIGHT-WEIGHT ALUMINUM AND SOLID TOP PANEL.

HARDWARE: PACKAGE OF QTY-50; #10-32 SCREWS -OR- M6 SCREWS W/ CAGE NUTS, INCLUDED.

EST. WEIGHT :
385.43 lbmass

THIRD ANGLE PROJECTION

INTERPRET DRAWING PER ASME Y14.5M-1994
DIMENSIONAL LIMITS APPLY AFTER APPLICATION OF FINISH
DRAWING NOT TO SCALE
TOLERANCE UNLESS OTHERWISE NOTED:
ANGULAR +/- 1°
.XXXX +/- .010
.XXX +/- .015
.XX +/- .030
.X FOR REF. ONLY
UNLESS OTHERWISE SPECIFIED ALL DIMENSIONS ARE IN INCHES

NOTICE:

Use of this document is subject to a confidentiality and nondisclosure agreement with Great Lakes Case & Cabinet Co., Inc. (GLCC) and may not be reproduced, disclosed or utilized in whole or in part without prior written authorization from GLCC.

PART NUMBER:	SEE CHART
QTY PER UNIT:	1
MATERIAL TYPE:	-
MATERIAL GAUGE:	-
FINISH:	-
DRAWN	DATE
CDM	5/12/2014
CHECKED & APP.	DATE
WSS	2/8/11

TITLE	EN FRAME 78"H x 32"W x 48"D W/ 42 RMU RAILS, DUAL HINGE PERF FRONT DOOR, SPLIT PERF REAR DOOR, AND SOLID SIDES
GREAT LAKES CASE & CABINET CO., INC.	
P.O. BOX 551 EDINBORO, PA 16412	
PHONE (814) 734-7303 FAX (814) 734-3907	
E-MAIL glcc@greatcabinets.com	
DWG NO.	REV
SEE CHART	SEE CHART
SHEET: 1 OF 1	